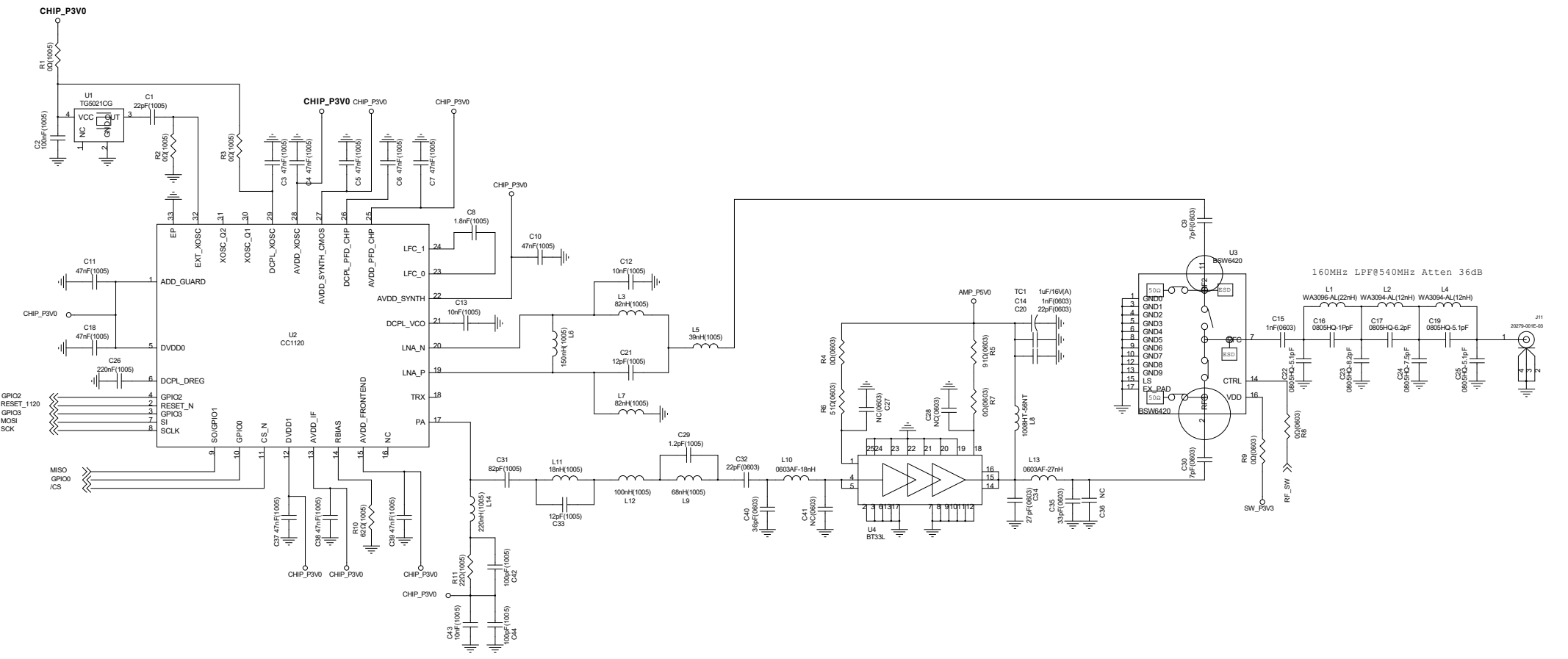
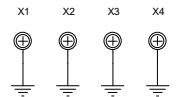
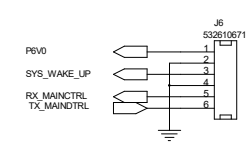
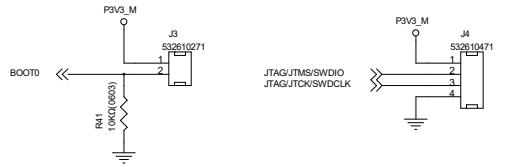
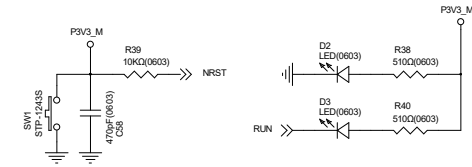
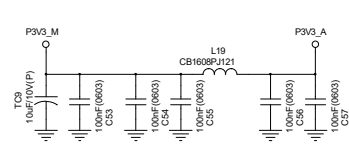
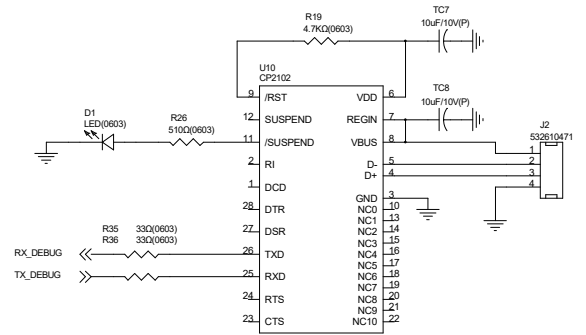
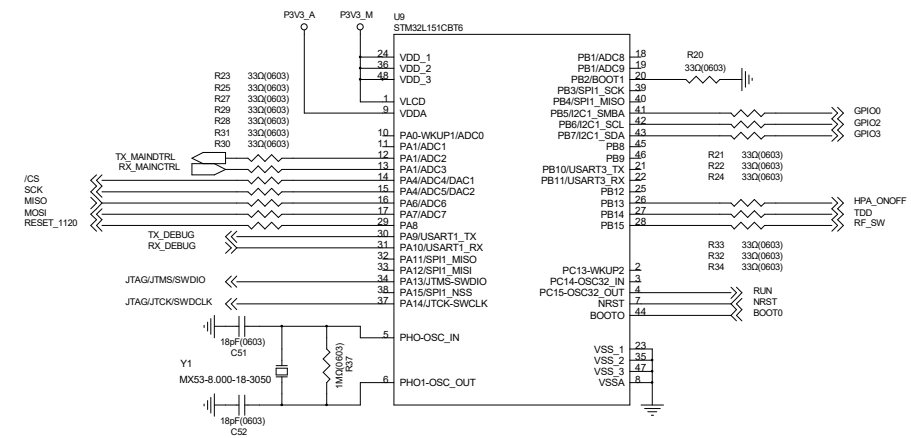
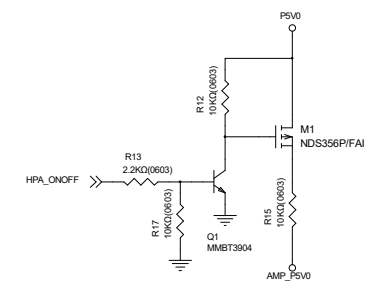
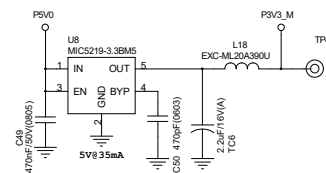
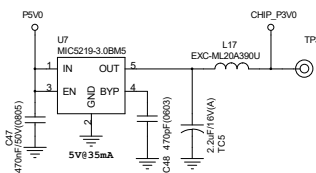
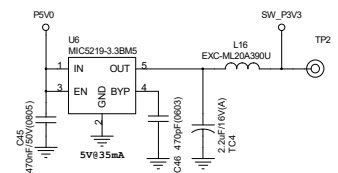
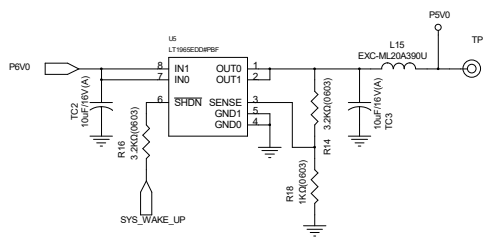


Coplanar Waveguide
ALL RF Lines at output shall be
50 Ohm Line at 1.13mm er4.4
GND to 50 Ohm Lines wide 1mm



DATA	2022/02/04	DWG NO.	RT425-20220204-S1	REV.	B
SIZE	A3	TITLE	PACS S/W & Power Amplifier	PAGE	1/2
D	DESIGN	CHECK	APPRO	Radio Communication Technology	
C					
B					
A	2022.02				
Rev.	DATA	/	/	/	/



DATA	2022/02/04	DWG NO.	RT425-20220204-S1	REV. B
SIZE	A3			
DESIGN	CHECK	APPRO	TITLE	PAGE
			PACS S/W & Power Amplifier	1/2
Radio Communication Technology				