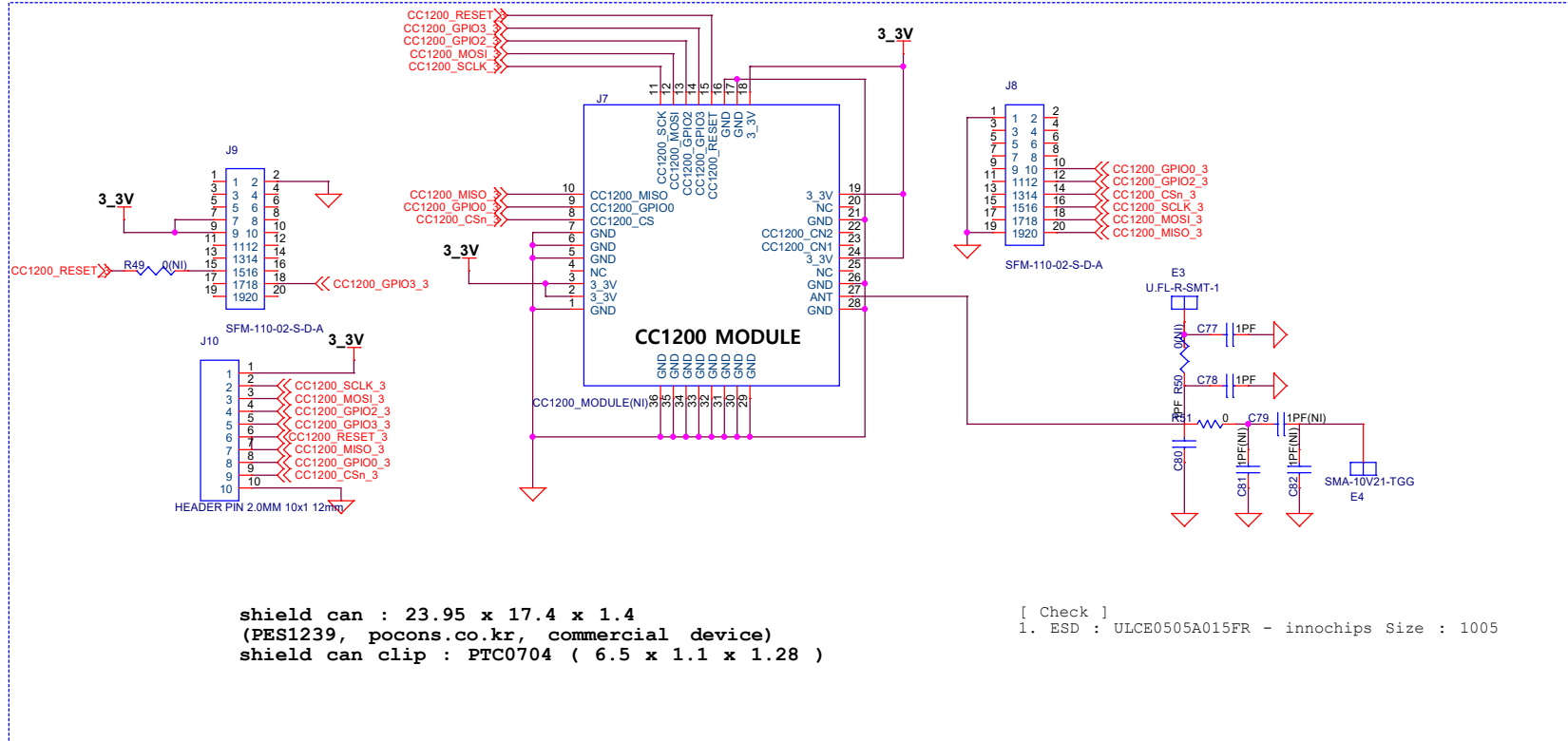


**CC1200_MODULE TEST JIG - with SMARTRF BOARD
(NO SAW AND NO SPDT)**



File		
WISUN_Amigo_NJ		
Size	Document Number	Rev
A3	5. CC1200_TEST Jig	1.0
Date:	Thursday, October 07, 2021	Sheet 5 of 5