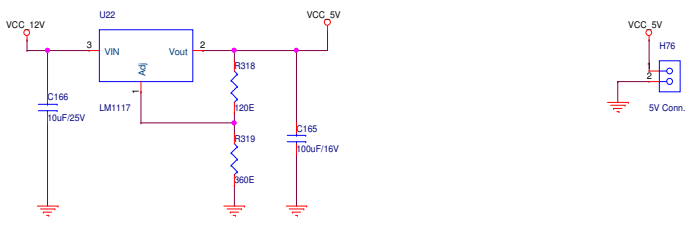
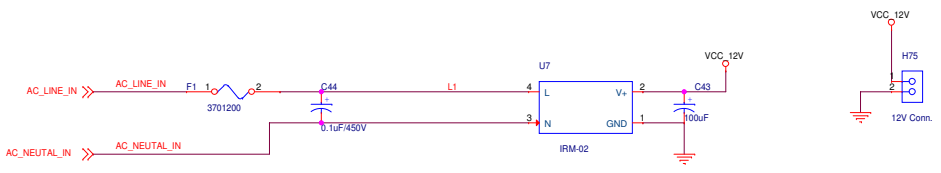
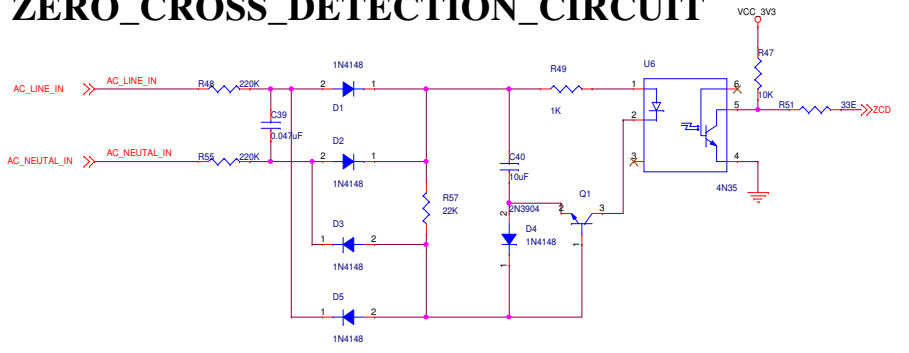


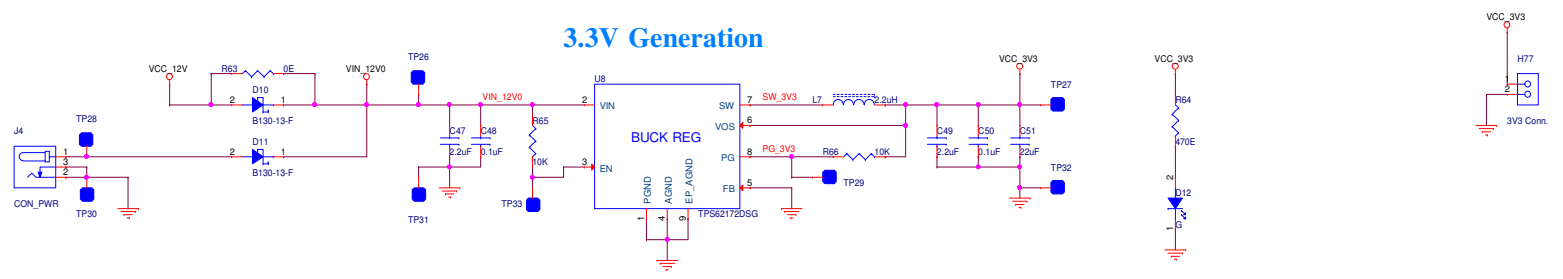
# 100-250VAC TO 12VDC BUCK REGULATOR



# ZERO\_CROSS\_DETECTION\_CIRCUIT

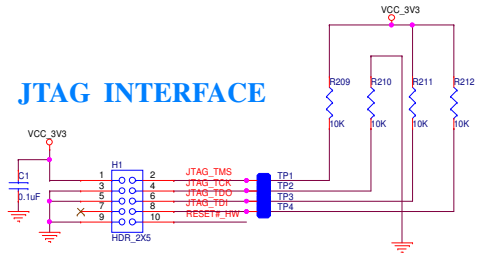


# 3.3V Generation

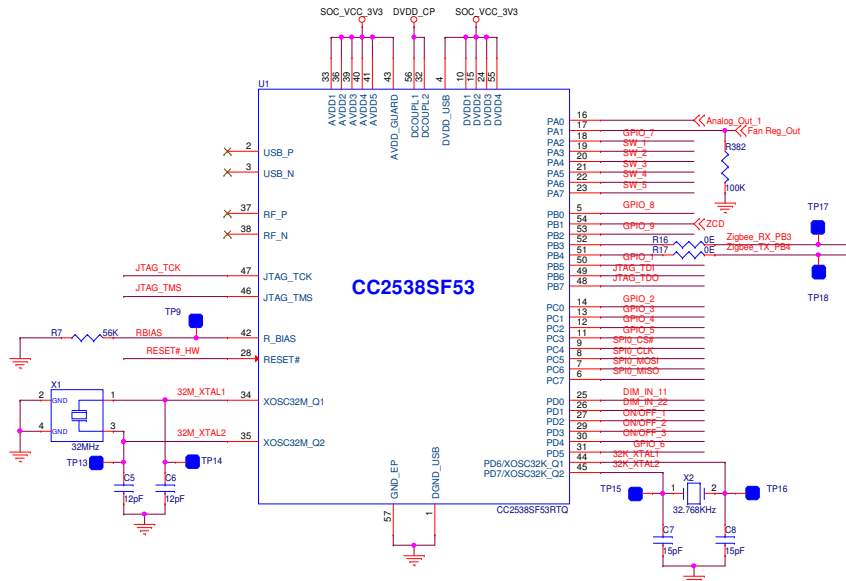


Title	<Title>	
Size	Document Number	Rev
C	<Doc>	<RevCode>
Date:	Friday, December 23, 2016	Sheet 1 of 1

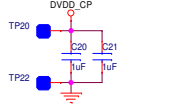
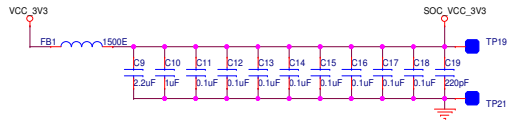
## JTAG INTERFACE



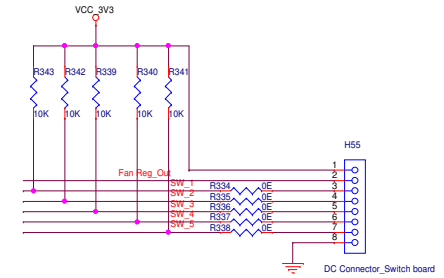
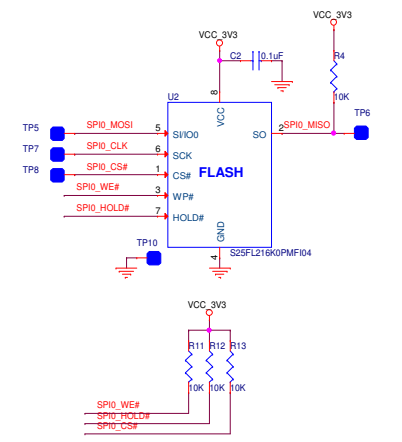
## CC2538 SoC



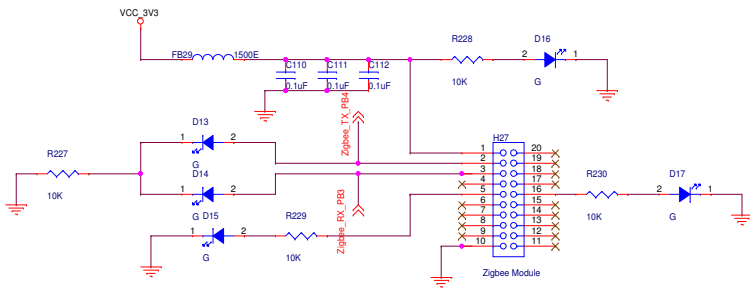
## CC2538SF53



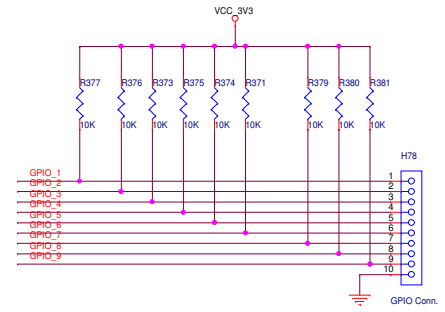
## FLASH INTERFACE



## ZIGBEE INTERFACE

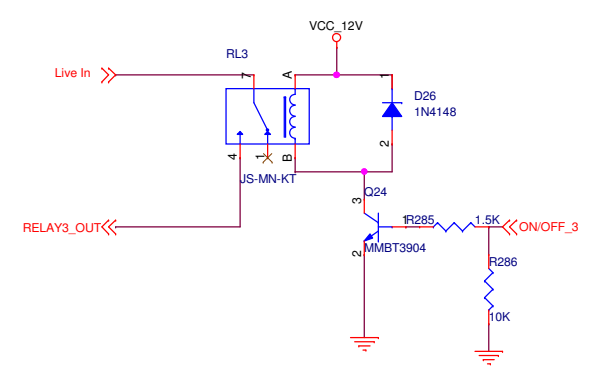
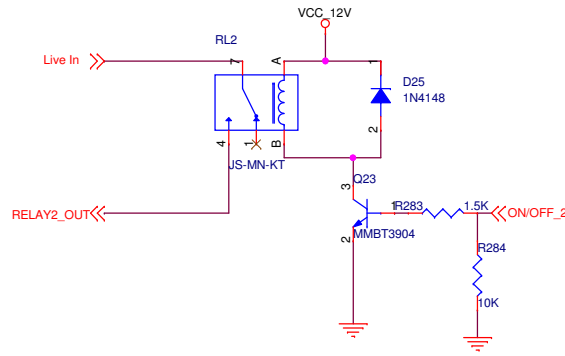
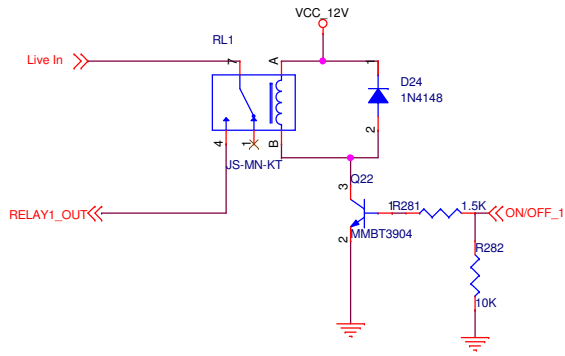


## GPIO Connector

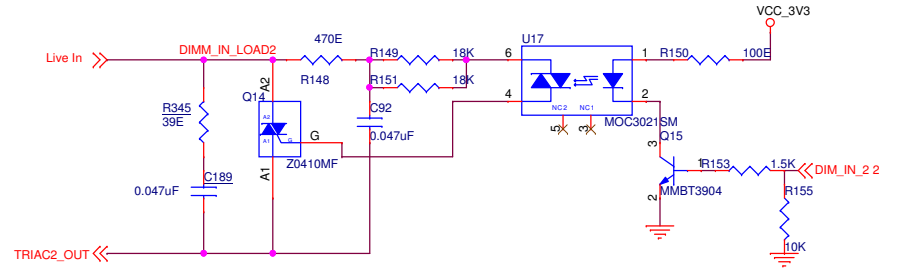
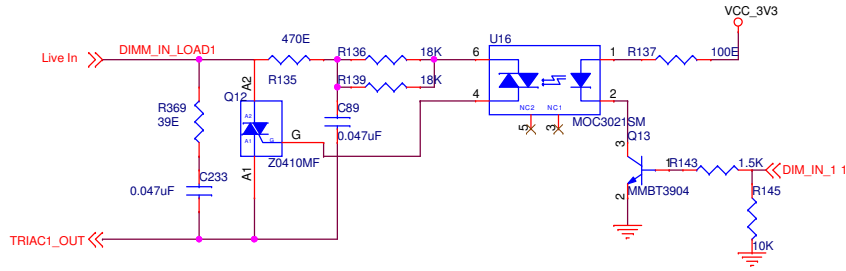


Title	<Title>	Rev	<Rev Code>
Size	Document Number		
Date:	Friday, March 03, 2017	Sheet	1 of 1

# LOAD CONTROL

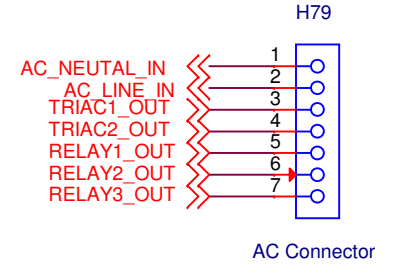
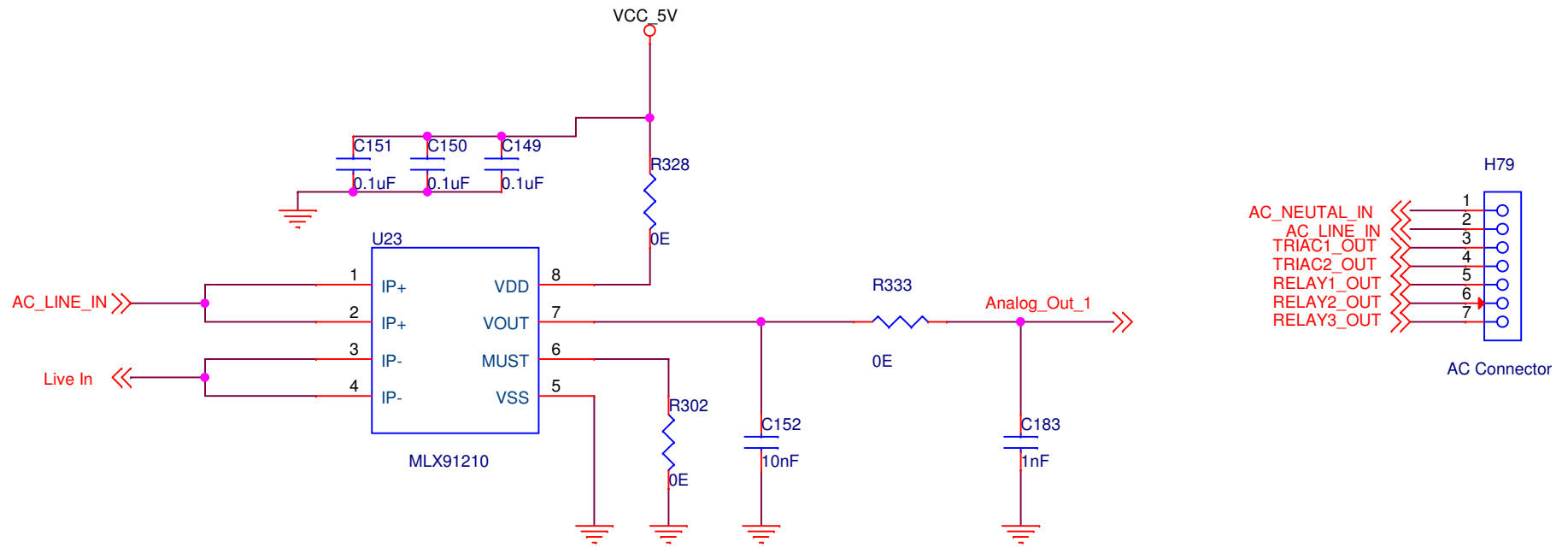


# AC Dimming / ON / OFF



Title	Title <Title>		
Size	Size <Doc>		Rev
B	B <Doc>		Rev
Date:	Date: Wednesday, 01 March 2017	Sheet	Sheet
		1	1

# Energy Measurement



Title		
<Title>		
Size	Document Number	Rev
A	<Doc>	<Rev Co>
Date:	Friday, December 23, 2016	Sheet 1 of 1