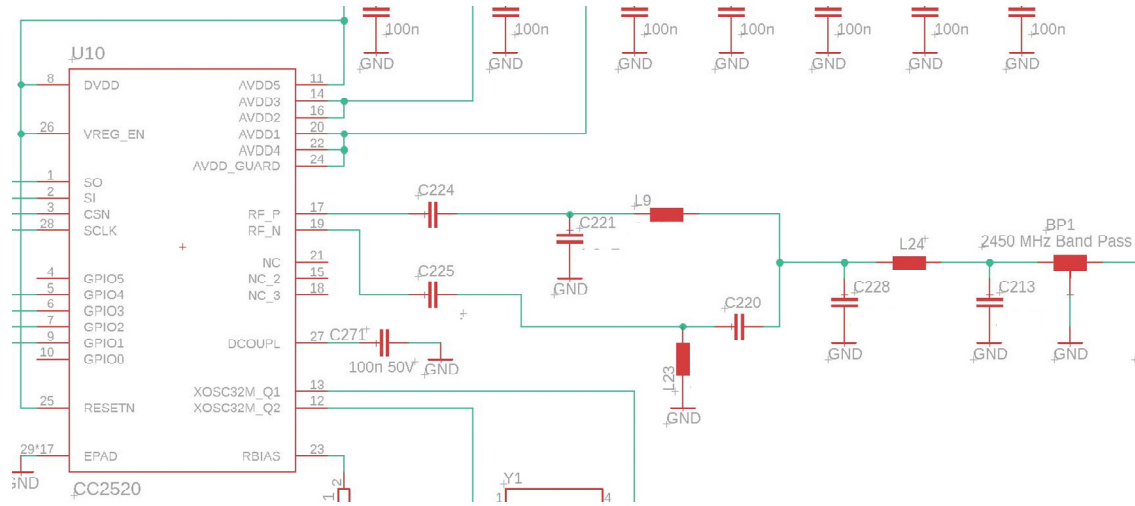


Our balun in the schematics:



Reference	Test 1	Test 2
C213	1pF	0.5pF
L24	1.2nH*	2.7nH
C228	1.8pF	0.5pF
C220	1.5pF	0.75pF
L9	1.2nH*	2.7nH
L23	1.2nH*	1.8nH
C221	1.8pF	0.5pF
C225	82pF	82pF
C224	39pF	39pF

(\*=Johanson L-07C1N2SV6S)

Our balun in the layout:

