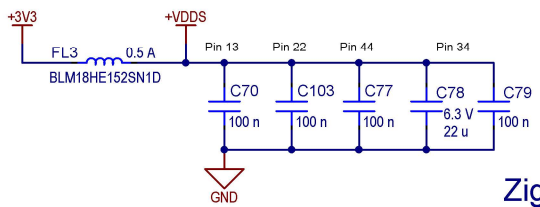
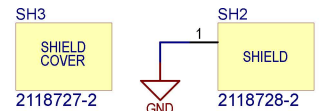
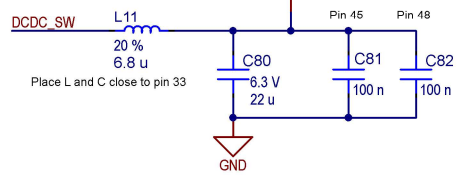


ZIGBEE

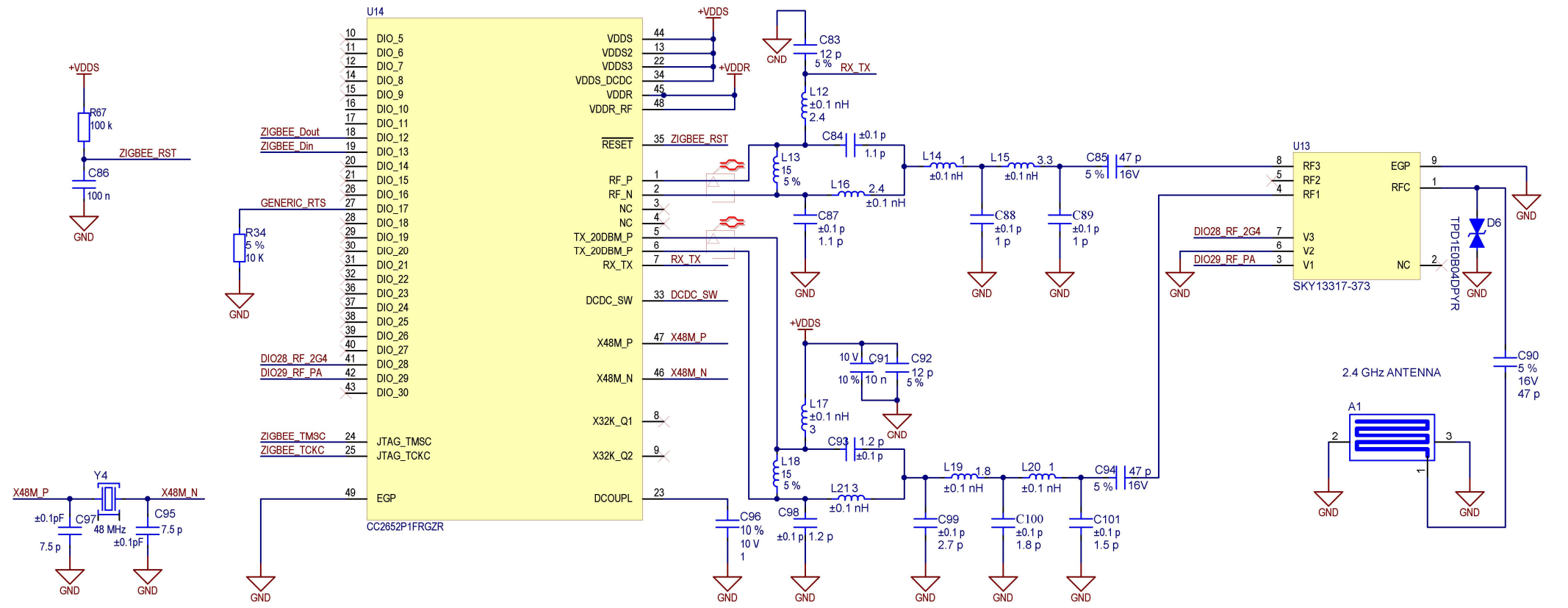
VDDS Decoupling Capacitor



VDDR Decoupling Capacitor



Zigbee wireless MCU



- NOTES, UNLESS SPECIFIED OTHERWISE:
- 1) RESISTOR VALUES IN OHMS, 1/10W, 1%
 - 2) CAPACITOR VALUES IN MICROFARADS, 50V
 - 3) INDUCTOR VALUES IN NANOHENRY
 - 4) FOR COMPLETE COMPONENT INFORMATION, SEE BOM

Notes:	Signatures	Date	Project:	
	Drawn	3/5/2021	City Panel	
Sheet: 8 of 10	App'd		Title:	ZIGBEE
			Rev: 2.0	Commit:
				San Luis 4580, 5to 1ero B7602BZJ, Mar del Plata