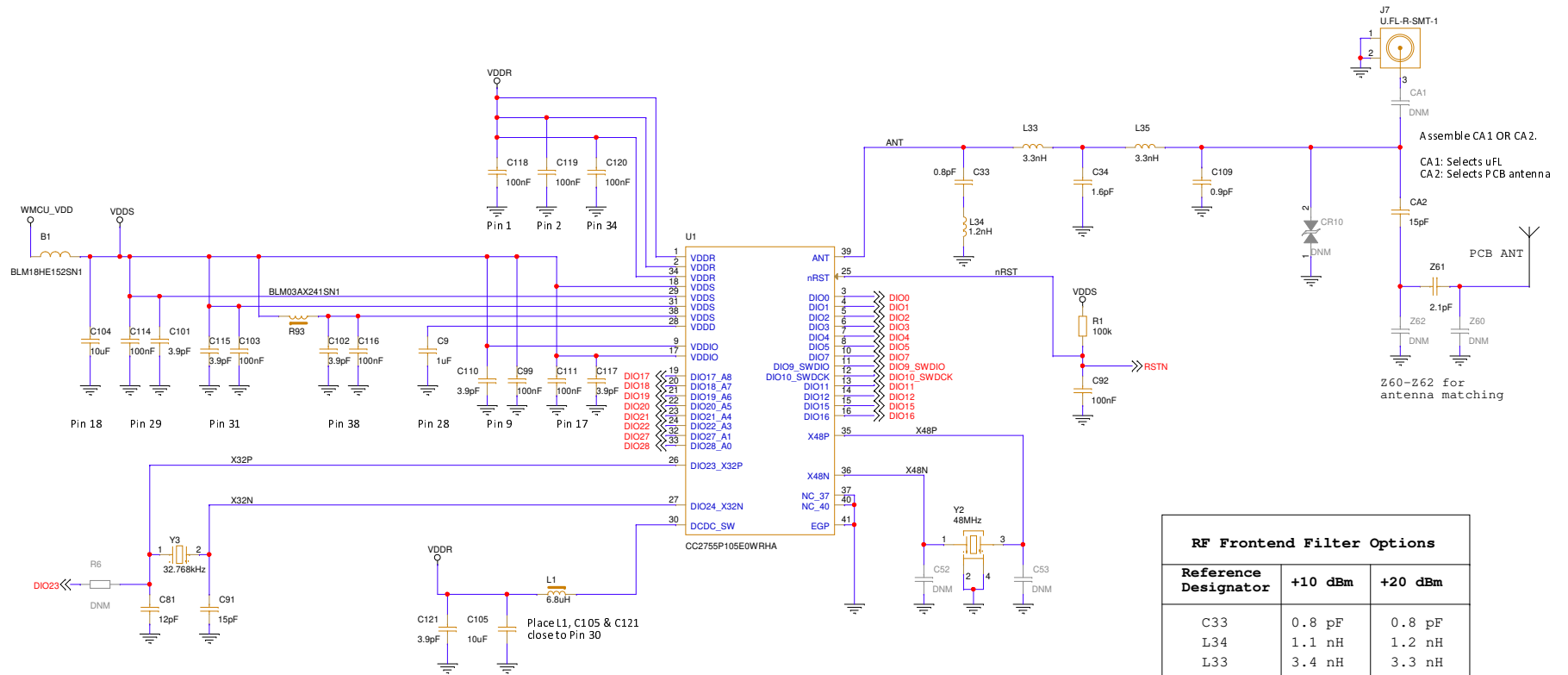


Wireless MCU RF



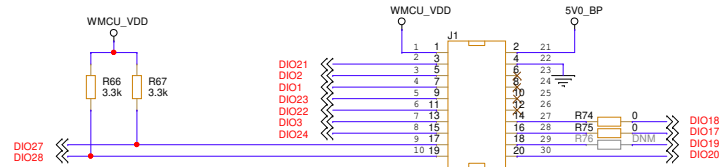
RF Frontend Filter Options		
Reference Designator	+10 dBm	+20 dBm
C33	0.8 pF	0.8 pF
L34	1.1 nH	1.2 nH
L33	3.4 nH	3.3 nH
C34	1.2 pF	1.6 pF
L35	0 ohm	3.3 nH
C109	DNM	0.9 pF

Title:	LP-EM-CC2755P10	 TEXAS INSTRUMENTS	
Drawn:	RGW		PN: MCU124
Checked:	Team Reviewed		
Size:	A3	Rev: B	Sheet: 1 of 4
Date:	Monday, March 16, 2026		

BoosterPack Headers and Peripherals

FOR SERIAL BOOTLOADER

DIO2 -> UART0RX
DIO1 -> UART0TX



DIO27 -> I2C0SCL
DIO28 -> I2C0SDA

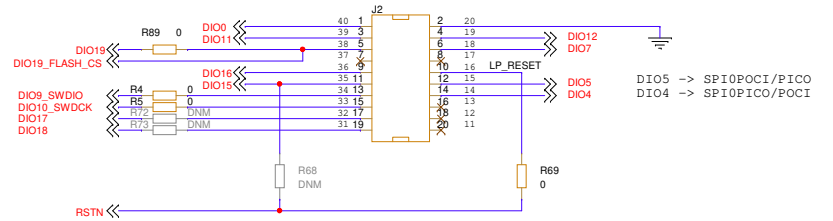
DIO18 -> CAN0RX or I2S0WS
DIO17 -> CAN0TX or I2S0CLK
DIO19 -> I2S0SDO
DIO20 -> I2S0SDI

NOTE:

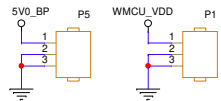
R72 and R73 are DNM.

As default, I2S interface is connected to BoosterPack Header pins BP.31 and BP.32.

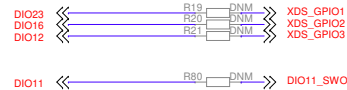
To connect CAN0 interface, remove R72 and R73 and mount R74 and R75.



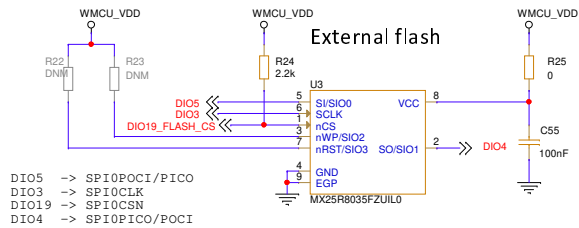
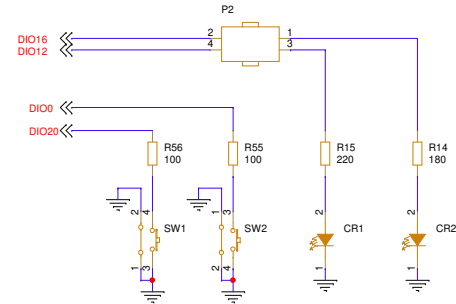
5V and 3V headers



Place on bottom layer as DNM



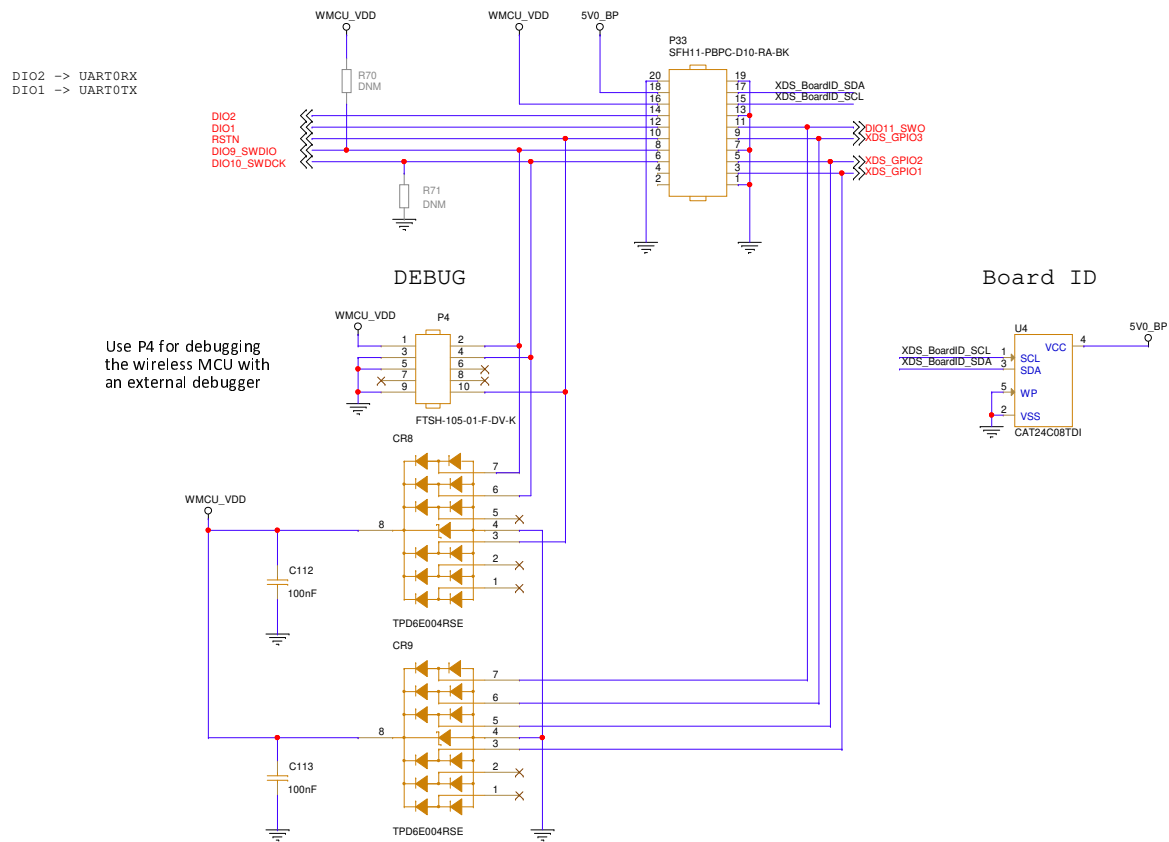
Buttons



DIO5 -> SPI0POCI/PICO
DIO3 -> SPI0CLK
DIO19 -> SPI0CSN
DIO4 -> SPI0PICO/POCI

Title: LP-EM-CC2755P10		TEXAS INSTRUMENTS	
Drawn: RGW		PN: MCU124	
Checked: Team Reviewed			
Size: A3	Rev: B	Sheet: 2 of 4	
Date: Monday, March 16, 2026			

XDS110 Debugger Interface



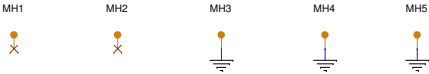
Title: LP-EM-CC2755P10		TEXAS INSTRUMENTS	
Drawn: RGW	Checked: Team Reviewed		PN: MCU124
Size: A3	Rev: B	Sheet: 3 of 4	
Date: Monday, March 16, 2026			

Mechanical

Jumpers for P2 LED headers



Mounting Holes



Standoffs



Labels



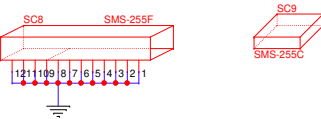
Fiducials



PCB



Shield



Title: LP-EM-CC2755P10		 TEXAS INSTRUMENTS
Drawn: RGW	PN: MCU124	
Checked: Team Reviewed		
Size: A3	Rev: B	Sheet: 4 of 4
Date: Monday, March 16, 2026		