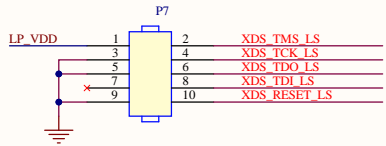


XDS110 Debugger Interface

ARM Cortex Debug Connector

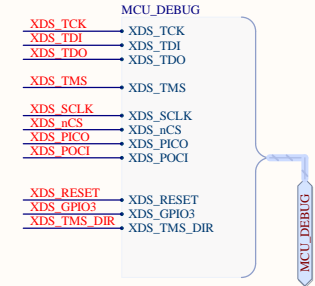
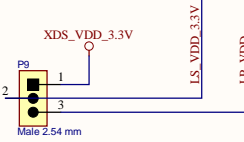
Functions: JTAG



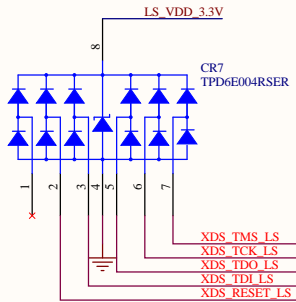
Use case:
 A: Use split LP connector, power target from ET_VDD
 B: Use split LP connector, power target externally
 C: Use 10-pin arm, power target from ET_VDD
 D: Use 10-pin arm, power target externally

Level Shifter Voltage Selector

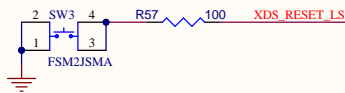
1-2: Supply from XDS110 (3.3 V).
 2-3: Supply from target board.



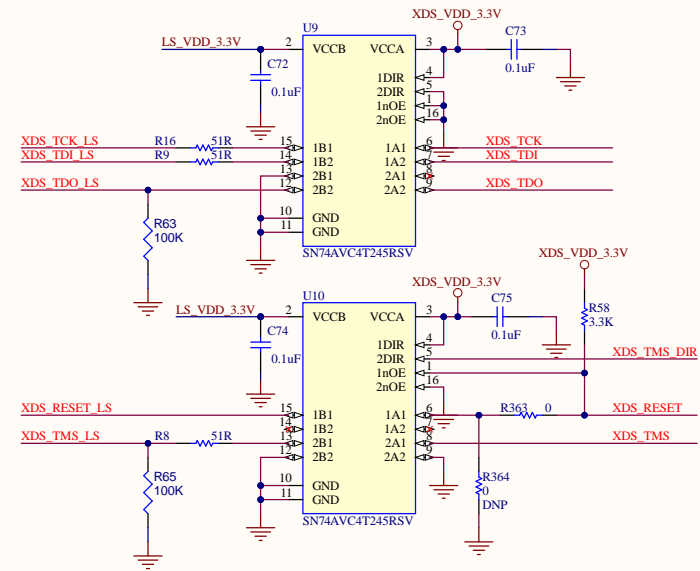
ESD Protection



Reset Button



Level Shifters



SPI Signals

XDS_TCK	R365	0	XDS_SCLK
XDS_GPIO3	R366	0	XDS_nCS
XDS_TDI	R367	0	XDS_PICO
XDS_TDO	R368	0	XDS_POCI

XDS110 Debugger

