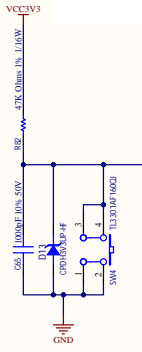
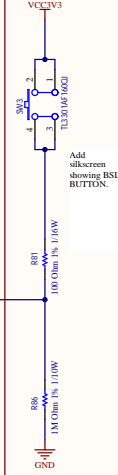


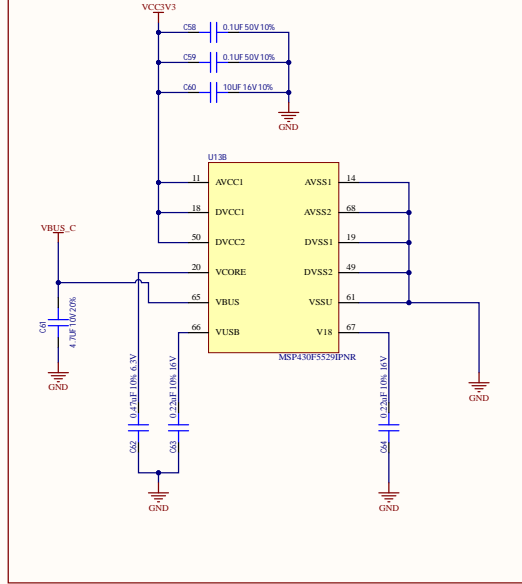
RESET



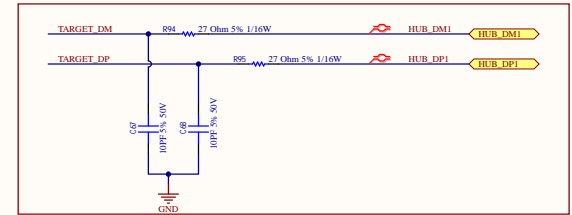
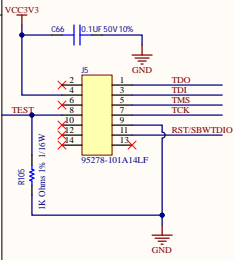
BSL



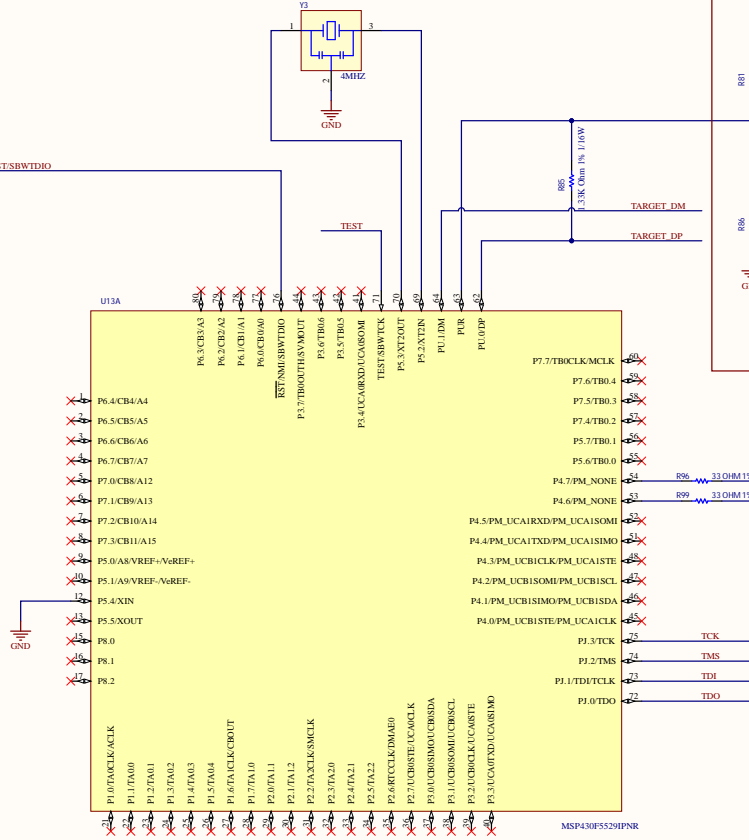
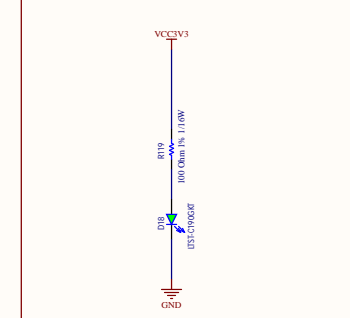
POWER SECTION



PROGRAM HEADER



POWER INDICATION



Title		
Size	Number	Revision
Orcaid C		
Date:	8-06-2024	Sheet of
File:	Sheet1_SchDoc	Drawn By: