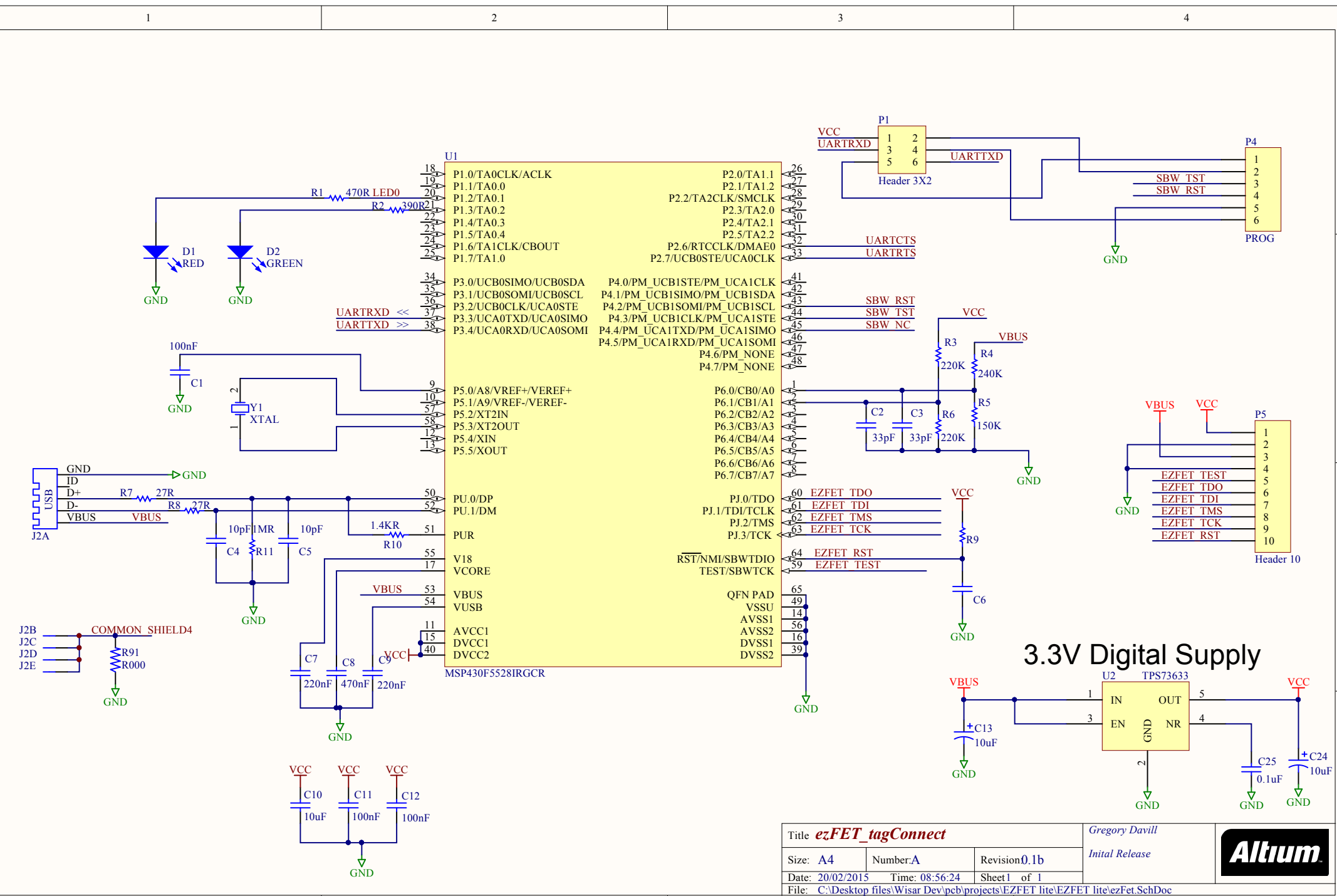



A
B
C
D



Title ezFET_tagConnect			Gregory Davill	
Size: A4	Number: A	Revision: 0.1b	Initial Release	
Date: 20/02/2015	Time: 08:56:24	Sheet 1 of 1		
File: C:\Desktop files\Wisar Dev\pcb\projects\EZFET lite\EZFET lite\ezFet.SchDoc				