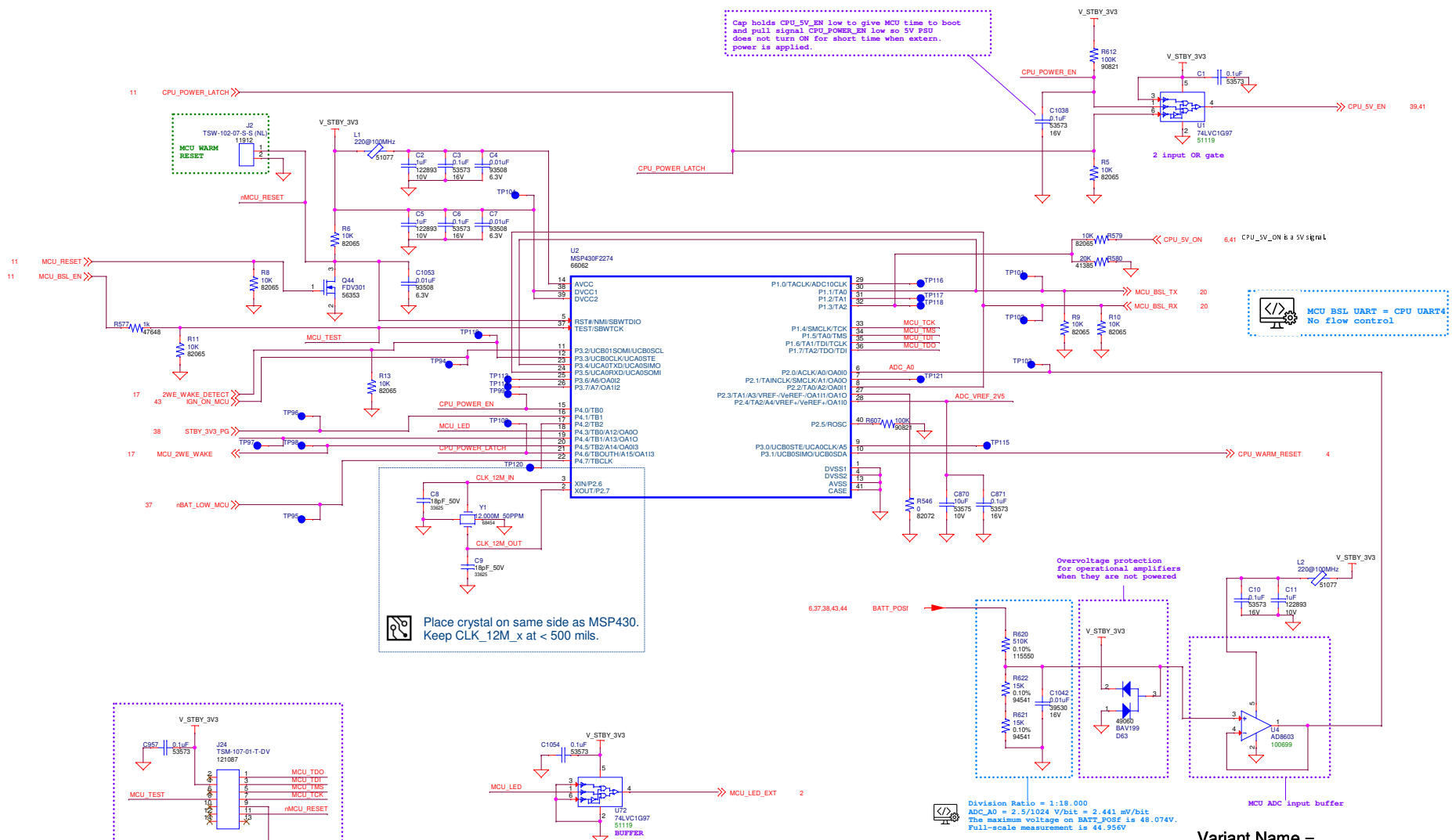


POWER CONTROL MICROCONTROLLER

Cap holds CPU_5V_EN low to give MCU time to boot and pull signal CPU_POWER_EN low so 5V PSU does not turn ON for short time when extern. power is applied.

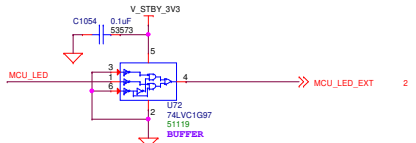
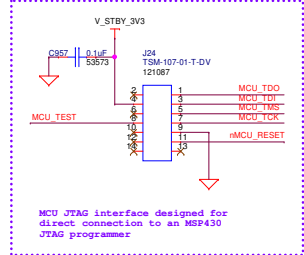


MCU BSL UART = CPU UART
No flow control

Place crystal on same side as MSP430.
Keep CLK_12M_x at < 500 mils.

Oversoltage protection for operational amplifiers when they are not powered

Division Ratio = 1:18.000
ADC_AD = 2.5/1024 V/bit = 2.441 mV/bit
The maximum voltage on BATT_POS is 48.074V.
Full-scale measurement is 44.956V



Variant Name =

Proprietary Notice The information herein contained is proprietary to and considered a trade secret of Trimble Inc. and shall not be reproduced, in whole or in part, without prior written approval of Trimble Inc.	Engineer authentication _____ Title	
	Designed by Trevor Michel-Smith	
Drawn by Trevor Michel-Smith		Drawing purpose <input type="checkbox"/> Do not use for fabrication <input checked="" type="checkbox"/> Final Plan
Checked by "Checked By"		Size Document Number 135901-XX-SD-A Date: Monday, September 07, 2020
Project Name 956 Main Board		Sheet 3 of 44
		Rev 01