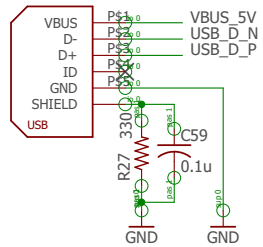
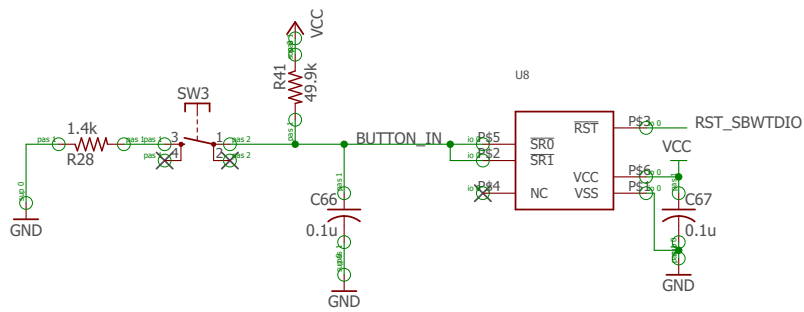


USB connector



GP button + hard reset



MSP430

