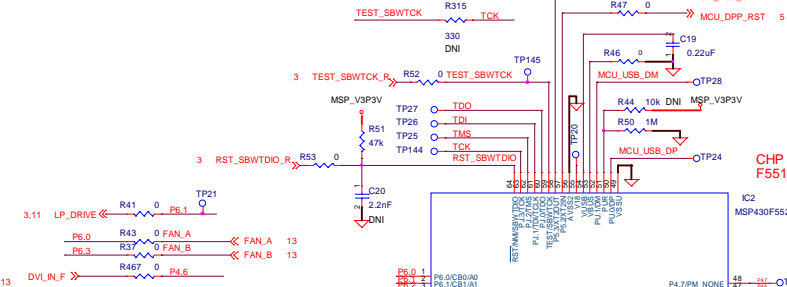
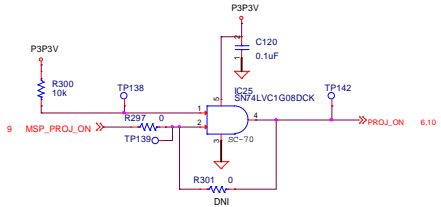
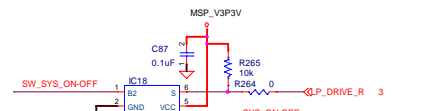
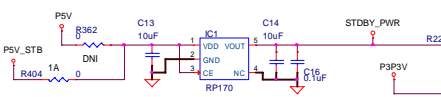
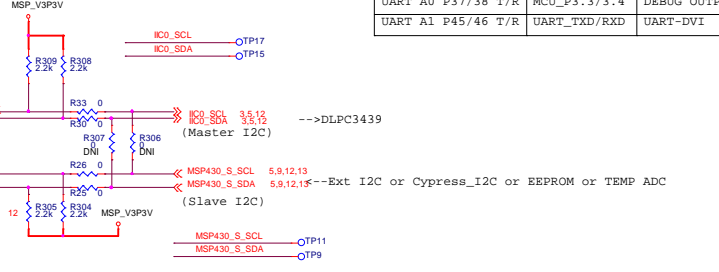


MSP430P5514	NET NAME	CONNECTION
S_I2C B0 P35,34	MSP430_S_SCL/SDA	E2PROM_SYS,TEMP_ADC
M_I2C B1 P43,42	IC0_S_SCL/SDA	DLPC3439_M,IT6801,USB_CY

MSP430P5515	NET NAME	CONNECTION
UART_A0 P37/38 T/R	MCU_P3.3/3.4	DEBUG_OUTPUT
UART_A1 P45/46 T/R	UART_TXD/RXD	UART-DVI

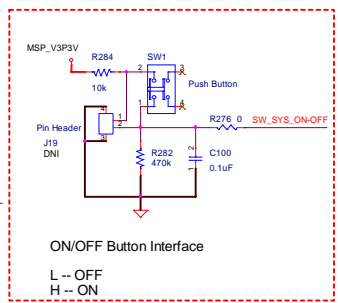
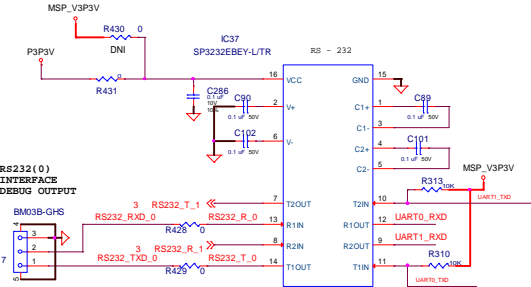


CHP NOTE:  
F5514--F5528

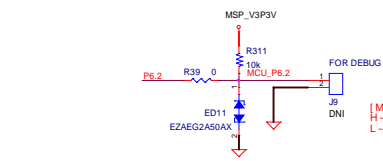
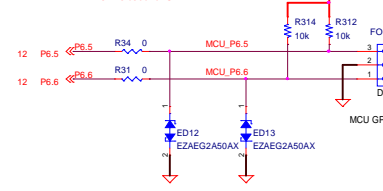


S	FUNCTION
H	A = B2
L	A = B1

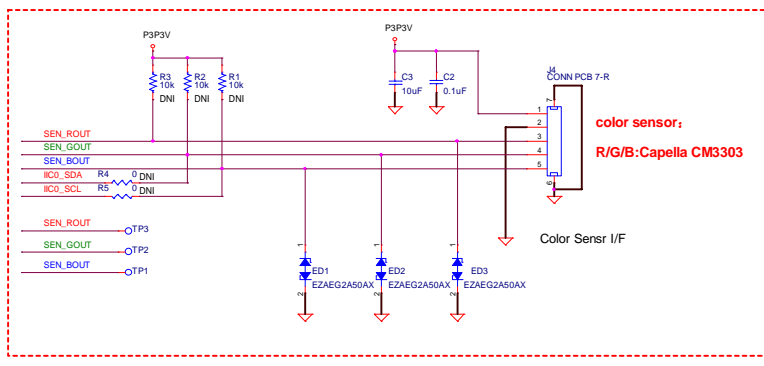
- UART1\_TXD R38 0 P4.4
- UART1\_RXD R40 0 P4.5
- UART0\_TXD R35 0 P3.3
- UART0\_RXD R32 0 P3.4



CHP NOTE:  
P6.5/P6.6 replace P3.2/P3.3 for debug.  
P3.4 is used for UART.



[MSP\_S\_DC\_F]  
H -> MSP430 operate EEPROM and TEMP\_ADC as host  
L -> MSP430 receive external I2C commands as slaves



Approver	Designer	Checker	Description
			Microcontroller