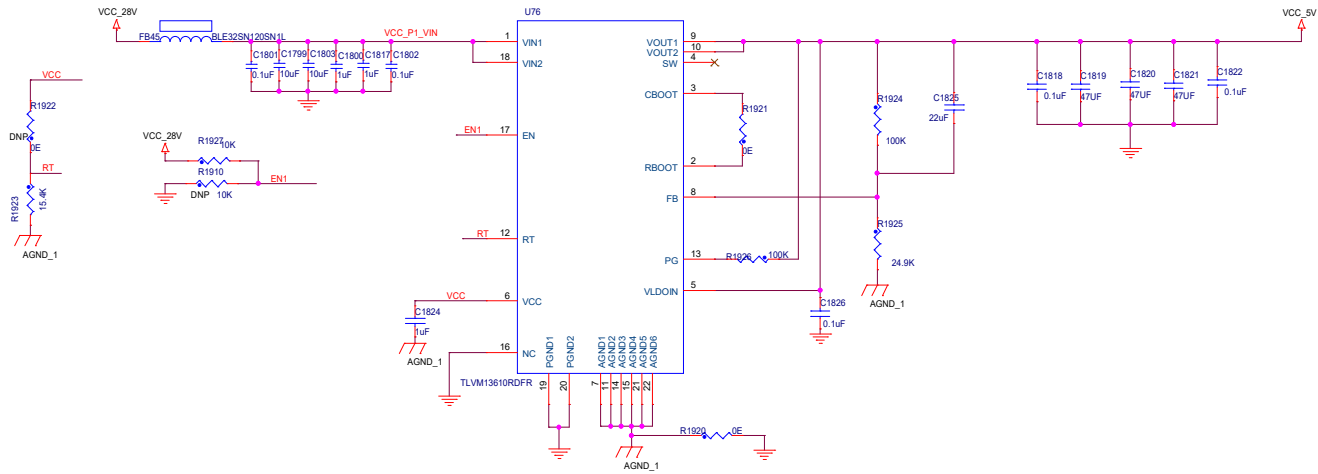


28v to 5V Regulator

FSW = 1MHz
 Mode = FPWM Mode
 SS = 2.7ms



28v to 3V3 Regulator

FSW = 1MHz
 Mode = FPWM Mode
 SS = 2.7ms

