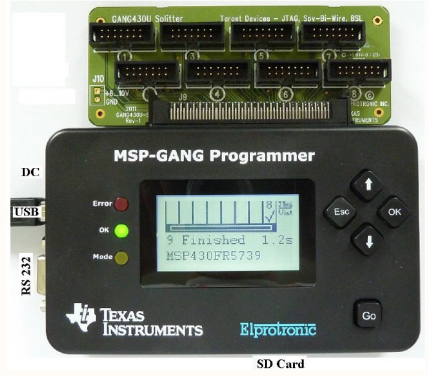


NOTE: External Power Supply
 If an external power supply is used then it must provide a voltage between 6 V and 10 V dc and must be capable of providing a minimum current of 800 mA. The center post of the power supply connector on the MSP Gang Programmer is the positive-voltage terminal. The programmer indicates the status of the power supply connection by using system LEDs and the LCD back light.

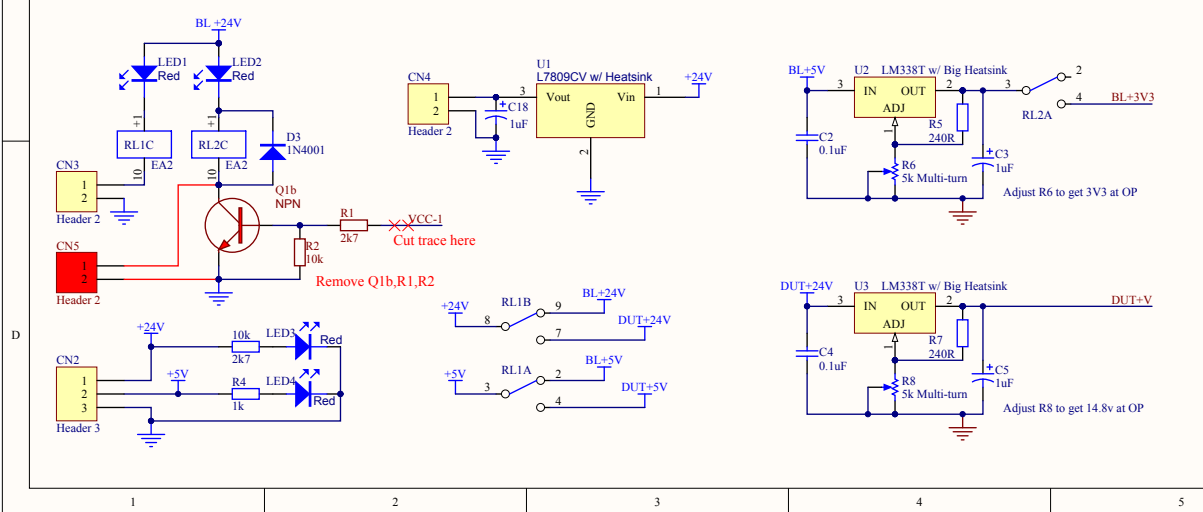
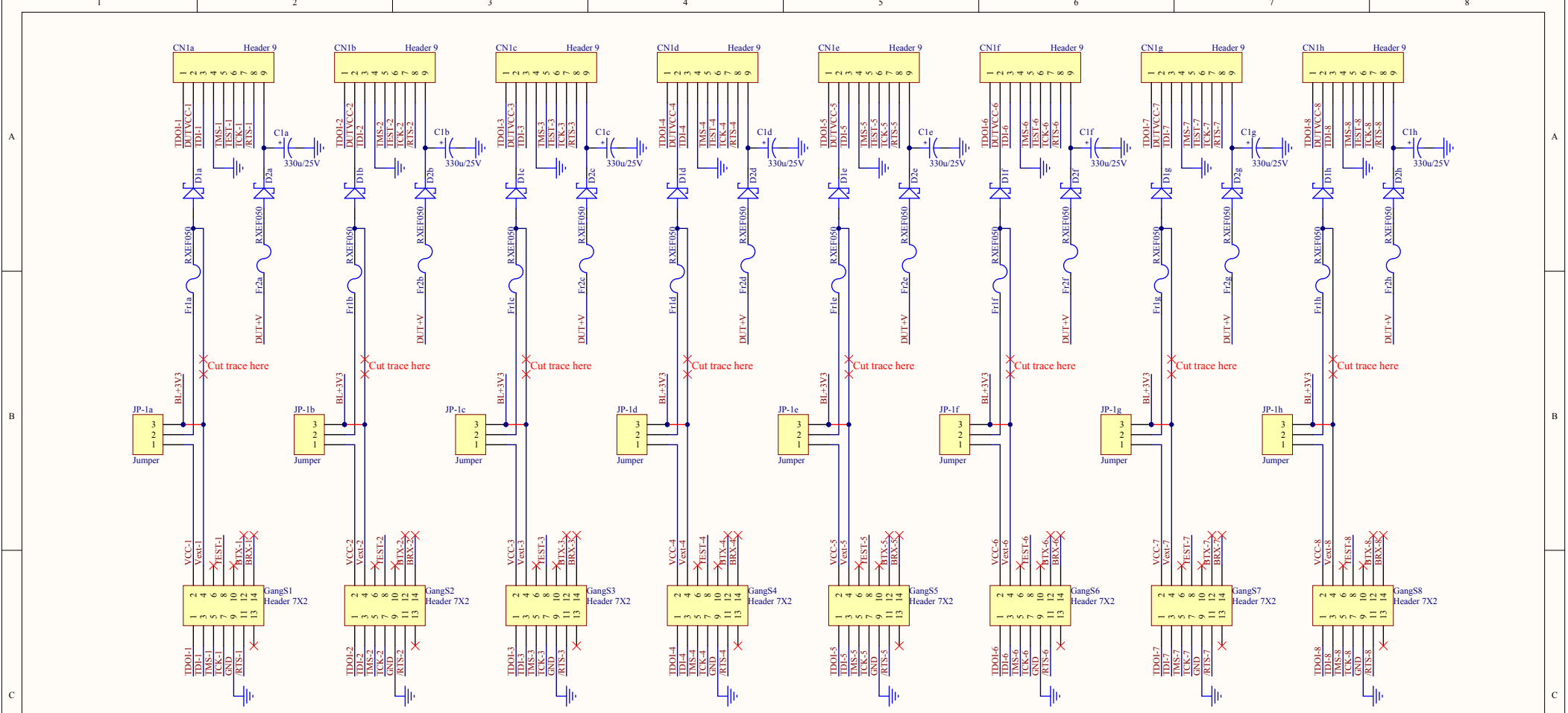
NOTE: Maximum Signal Path Length: 50 cm
 The maximum length of a signal path between the 14-pin JTAG or SBW connector on the Gang Splitter and the target device is 50 cm.



- Relay with Base
 EA2 - NEC EA2-24NJ
 G2RL - Omron G2RL-24
 MY2 / MY4 - Omron 24Vdc
- +24V +24V (Purple Wire)
- +5V +5V (Red Wire)
- Common & Signal Ground Black Wire
- Earth (Yellow/Green Wire)
- CN = Connector
 1 = Card No.
 2 = Connector No.
 3 = Pin No.
- All Relays should have LED indicator
- All LEDs are Clear Diffused
- 18/20AWG
- 22/24AWG

Cannot open file C:\EDMI Official Company Logo New.jpg

MK10E S3 Programming Jig			
MK10E S3 Programming Jig Overview			
Size A3	FCSM No.	DWG No.	Rev 0
Scale Print A4	cm	18/10/2018	Sheet 1 of 2



Use PCB Slide switch for JP-1
Default set to Pin 2 and 3

MK10E S3 Programming Jig

MK10E S3 Programming Jig Interface Card

Size A3	FCSM No.	DWG No.	Rev A
Scale Print A4	cm	18/10/2018	Sheet 2 of 2