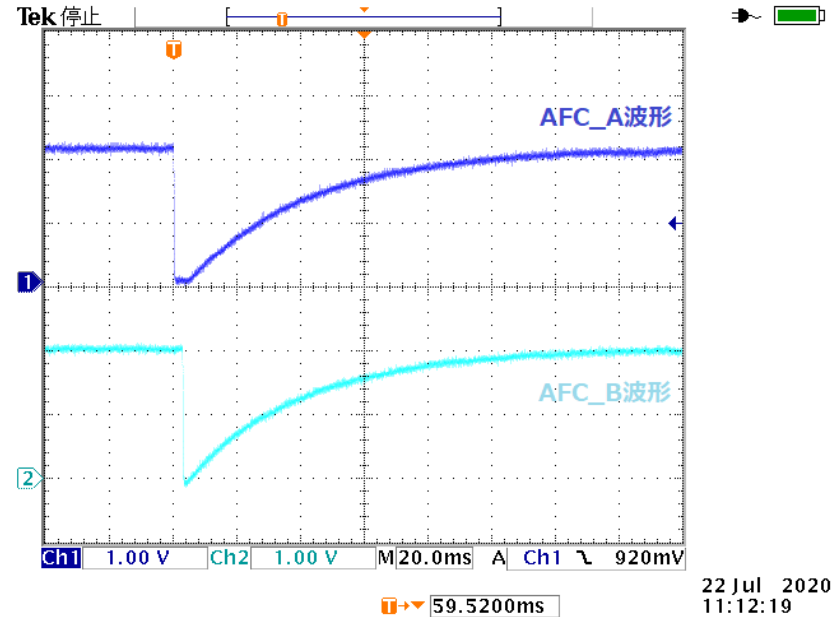
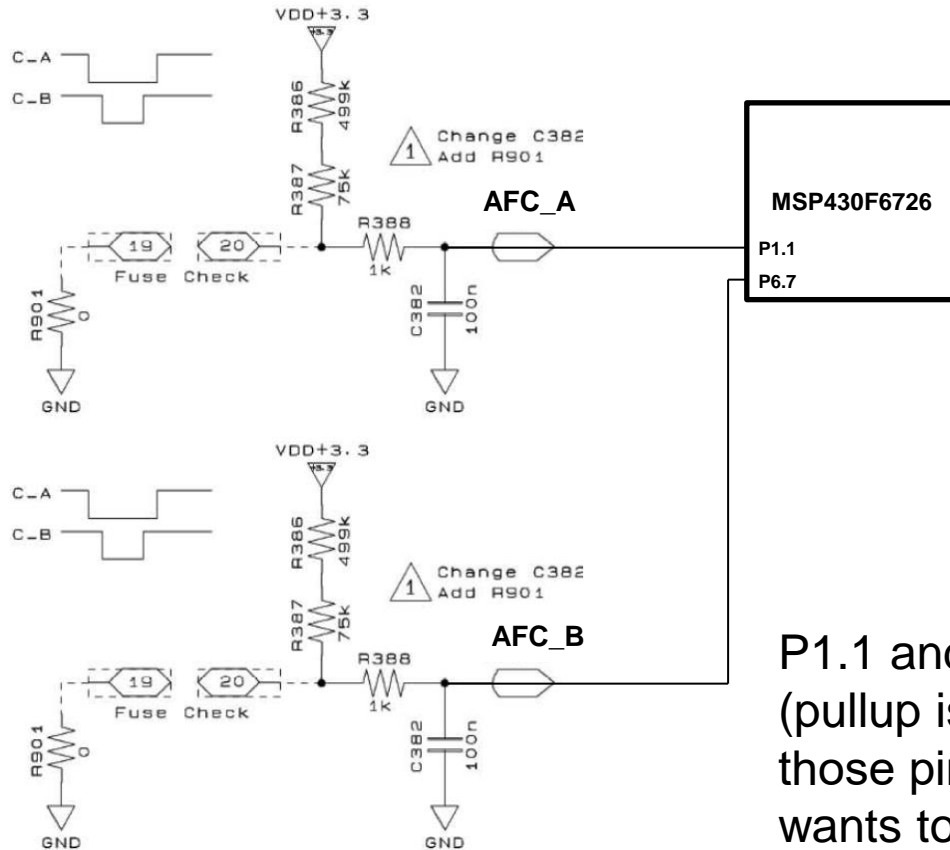


MSP430F6726 Register configuration



22 Jul 2020
11:12:19

P1.1 and P6.7 are configured as Input-terminals (pullup is disabled). When 3.3V is supplied to those pins, it seems to show 2V... Customer wants to know the reason.

MSP430F6726 Register configuration

```
//--<Port 1.x >-----//
//bit7          bit6          bit5          bit4          bit3          bit2          bit1          bit0          //
//COM           COM           in           in           TxD           RxD           in           out           //direction
//COM           COM           -           -           TxD           RxD           -           Lo           //output
P1SEL = 0xCC; /* Peripheral / IO (1100 1100) 0: I/O port , 1: peripheral*/
P1DIR = 0x01; /* Direction (xx00 xx01) 1:OUT */
P1OUT = 0x00; /* Default value (0000 0000) 1:Hi */
P1IES = 0x12; /* Edge (0001 0010) 0:Rising , 1: Falling */
P1IE = 0x12; /* P1IES (0001 0010) Enable:1 */

//--<Port 6.x >-----//
//bit7          bit6          bit5          bit4          bit3          bit2          bit1          bit0          //
//in            out           out           in           out           out           in           out           //direction
//             Lo           Hi           -           Lo           Lo           -           Hi           //output
P6DIR = 0x6D; /* Direction (0110 1101) 0:in */
P6OUT = 0x21; /* Default value (0010 0001) */
```