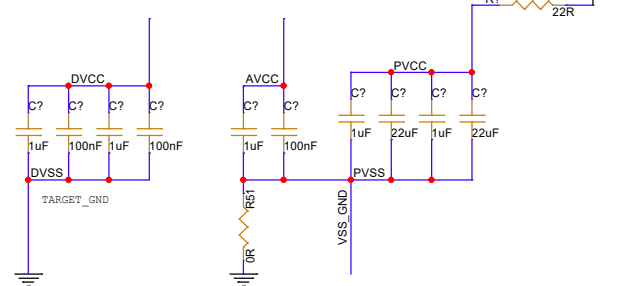
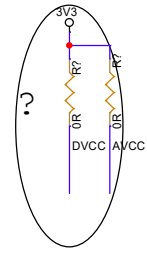
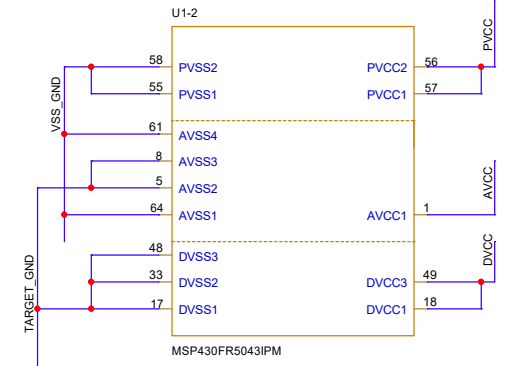
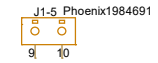
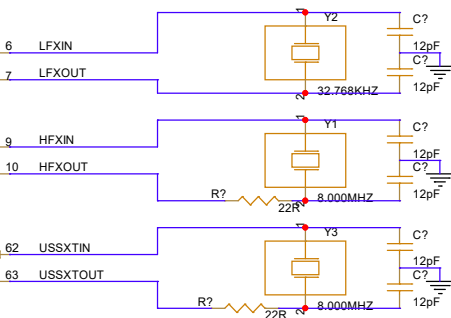
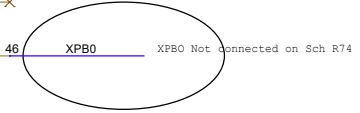


MSP430FR5043IPM

TI recommends powering AVCC, DVCC, PVCC pins from the same source



TI recommends separated grounds with a single-point connection for better noise isolation from digital to analog circuits on the board and to achieve high analog accuracy.



Author	NAME	DATE	
<Author>	<Author>	<Date1>	
DRAWN	<DRAWN>	<Date2>	
CHECKED	<CHECKED>	<Date3>	
Variant	<Variant Name>		
Size			
A3	<Doc> Document Number		Rev <RevCode>
Date	Thursday, January 04, 2024	Sheet 4	of 9

