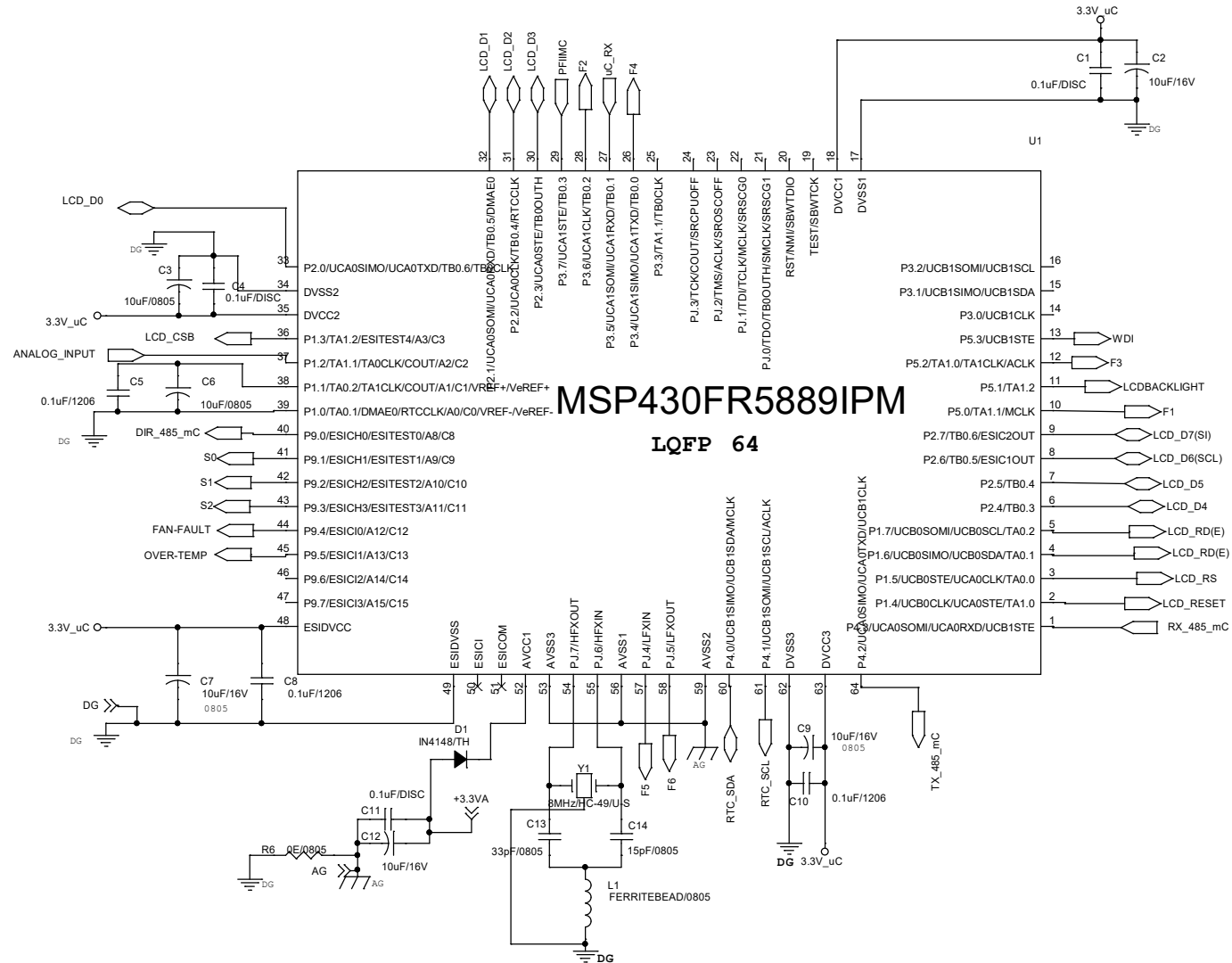


MODIFIED DESIGN



Title		
Size A3	Document Number CMSC_7931	Rev 1
Date: Saturday, October 09, 2021	Sheet 1	of 4