

时钟电路

U99 MSP430F5359IPZR

P6.0/CB0/A0	97	P6.0/CB0/A0	97	AVCC1	11	AVCC1	11
P6.1/CB1/A1	98	P6.1/CB1/A1	98	AVSS2	12	AVSS2	12
P6.2/CB2/A2	99	P6.2/CB2/A2	99	AVSS3	13	AVSS3	13
P6.3/CB3/A3	100	P6.3/CB3/A3	100	DVCC1	64	DVCC1	64
P6.4/CB4/A4	1	P6.4/CB4/A4	1	DVCC2	65	DVCC2	65
P6.5/CB5/A5	2	P6.4/CB4/A4	1	DVCC3	66	DVCC3	66
P6.6/CB6/A6/DAC0	3	P6.5/CB5/A5	2	DVSS	26	DVSS	26
P6.7/CB7/A7/DAC1	4	P6.6/CB6/A6/DAC0	3	DVSS2	63	DVSS2	63
P7.4/CB8/A12	5	P6.7/CB7/A7/DAC1	4	DVSS3	9	DVSS3	9
P7.5/CB9/A13	6	P7.4/CB8/A12	5	Vref_MCU	10	Vref_MCU	10
P7.6/CB10/A14/DAC0	7	P7.5/CB9/A13	6	Vref-3V	76	Vref-3V	76
P7.7/CB11/A15/DAC1	8	P7.6/CB10/A14/DAC0	7	VSSU	27	VSSU	27
P5.6/ADC12CLK/DMAE0	75	P7.7/CB11/A15/DAC1	8	VCORE	78	VCORE	78
		P5.6/ADC12CLK/DMAE0	75	P0.0	79	P0.0	79
				P0.1	80	P0.1	80
				P0.2	81	P0.2	81
				P0.3	82	P0.3	82
				P0.4	83	P0.4	83
				P0.5	84	P0.5	84
				P0.6	85	P0.6	85
				P0.7	86	P0.7	86
				P0.8	87	P0.8	87
				P0.9	88	P0.9	88
				P0.10	89	P0.10	89
				P0.11	90	P0.11	90
				P0.12	91	P0.12	91
				P0.13	92	P0.13	92
				P0.14	93	P0.14	93
				P0.15	94	P0.15	94
				P0.16	95	P0.16	95
				P0.17	96	P0.17	96
				P0.18	97	P0.18	97
				P0.19	98	P0.19	98
				P0.20	99	P0.20	99
				P0.21	100	P0.21	100
				P0.22	101	P0.22	101
				P0.23	102	P0.23	102
				P0.24	103	P0.24	103
				P0.25	104	P0.25	104
				P0.26	105	P0.26	105
				P0.27	106	P0.27	106
				P0.28	107	P0.28	107
				P0.29	108	P0.29	108
				P0.30	109	P0.30	109
				P0.31	110	P0.31	110
				P0.32	111	P0.32	111
				P0.33	112	P0.33	112
				P0.34	113	P0.34	113
				P0.35	114	P0.35	114
				P0.36	115	P0.36	115
				P0.37	116	P0.37	116
				P0.38	117	P0.38	117
				P0.39	118	P0.39	118
				P0.40	119	P0.40	119
				P0.41	120	P0.41	120
				P0.42	121	P0.42	121
				P0.43	122	P0.43	122
				P0.44	123	P0.44	123
				P0.45	124	P0.45	124
				P0.46	125	P0.46	125
				P0.47	126	P0.47	126
				P0.48	127	P0.48	127
				P0.49	128	P0.49	128
				P0.50	129	P0.50	129
				P0.51	130	P0.51	130
				P0.52	131	P0.52	131
				P0.53	132	P0.53	132
				P0.54	133	P0.54	133
				P0.55	134	P0.55	134
				P0.56	135	P0.56	135
				P0.57	136	P0.57	136
				P0.58	137	P0.58	137
				P0.59	138	P0.59	138
				P0.60	139	P0.60	139
				P0.61	140	P0.61	140
				P0.62	141	P0.62	141
				P0.63	142	P0.63	142
				P0.64	143	P0.64	143
				P0.65	144	P0.65	144
				P0.66	145	P0.66	145
				P0.67	146	P0.67	146
				P0.68	147	P0.68	147
				P0.69	148	P0.69	148
				P0.70	149	P0.70	149
				P0.71	150	P0.71	150
				P0.72	151	P0.72	151
				P0.73	152	P0.73	152
				P0.74	153	P0.74	153
				P0.75	154	P0.75	154
				P0.76	155	P0.76	155
				P0.77	156	P0.77	156
				P0.78	157	P0.78	157
				P0.79	158	P0.79	158
				P0.80	159	P0.80	159
				P0.81	160	P0.81	160
				P0.82	161	P0.82	161
				P0.83	162	P0.83	162
				P0.84	163	P0.84	163
				P0.85	164	P0.85	164
				P0.86	165	P0.86	165
				P0.87	166	P0.87	166
				P0.88	167	P0.88	167
				P0.89	168	P0.89	168
				P0.90	169	P0.90	169
				P0.91	170	P0.91	170
				P0.92	171	P0.92	171
				P0.93	172	P0.93	172
				P0.94	173	P0.94	173
				P0.95	174	P0.95	174
				P0.96	175	P0.96	175
				P0.97	176	P0.97	176
				P0.98	177	P0.98	177
				P0.99	178	P0.99	178
				P0.100	179	P0.100	179

ADC

I/O带中断功能

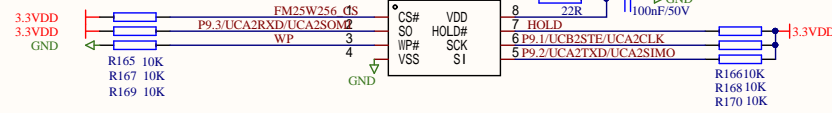
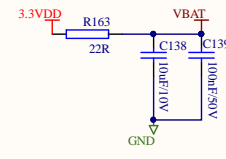
USB 功能

复用 I/O

I/O 无中断功能

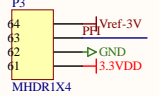
默认 NC

xxx

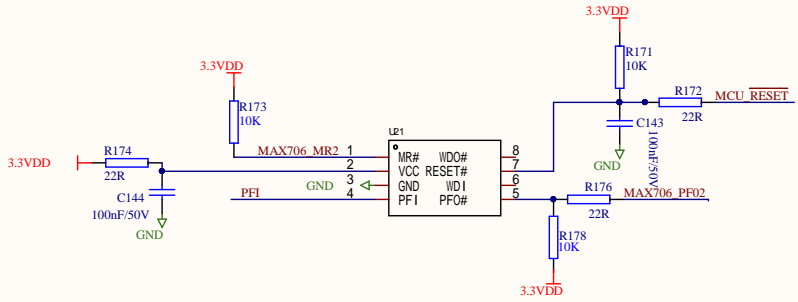


P9.6/UCB2SOMI/UCB2SCL	40	P8.0/TB0CLK	58
P9.5/UCB2SIMO/UCB2SDA	39	P4.7/TB0OUTH/SVMOUT	57
P9.4/UCB2CLK/UCB2STE	38	P4.4/TB0.4	56
P9.3/UCB2RXD/UCB2SOMI	37	P4.3/TB0.3	55
P9.2/UCB2TXD/UCB2SIMO	36	P4.2/TB0.2	54
P9.1/UCB2STE/UCB2CLK	35	P4.1/TB0.1	53
P8.5/UCB1SIMO/UCB1SDA	34	P4.0/TB0.0	52
P8.4/UCB1SOMI/UCB1SCL	33	P3.7/TA2.2	51
P8.3/UCB1RXD/UCB1SOMI	32	P3.6/TA2.1	50
P8.2/UCB1TXD/UCB1SIMO	31	P3.5/TA2.0	49
P8.1/UCB1STE/UCB1CLK	30	P3.4/TA2CLK/SMCLK	48
P2.5/P2MAP5	49	P3.3/TA1.2	47
P2.4/P2MAP4	48	P3.2/TA1.1	46
P8.5/UCB2SIMO/UCB2SDA	47	P3.1/TA1.0	45
P2.2/P2MAP2	46	P3.0/TA1CLK/CBOUT	44
P2.1/P2MAP1	45	P2.7/TA0.2	43
P2.0/P2MAP0	44	P2.6/TA0.1	42
P6.0/CB0/A0	43	P2.5/TA0.0	41
P6.1/CB1/A1	42	P2.4/TB0.3	40
P6.2/CB2/A2	41	P2.3/TB0.2	39
P6.3/CB3/A3	40	P2.2/TB0.1	38
P6.4/CB4/A4	39	P2.1/TB0.0	37
P6.5/CB5/A5	38	P2.0/TB0	36
P6.6/CB6/A6/DAC0	37	P1.7/TA0.2	35
P6.7/CB7/A7/DAC1	36	P1.6/TA0.1	34
P7.4/CB8/A12	35	P1.5/TA0.0	33
P7.5/CB9/A13	34	P1.4/TA0.3	32
P7.6/CB10/A14/DAC0	33	P1.3/TA0.2	31
P7.7/CB11/A15/DAC1	32	P1.2/TA0.1	30
		P1.1/TA0.0	29
		P1.0/TB0	28
		P0.5	27
		P0.4	26
		P0.3	25
		P0.2	24
		P0.1	23
		P0.0	22
		P0.99	21
		P0.98	20
		P0.97	19
		P0.96	18
		P0.95	17
		P0.94	16
		P0.93	15
		P0.92	14
		P0.91	13
		P0.90	12
		P0.89	11
		P0.88	10
		P0.87	9
		P0.86	8
		P0.85	7
		P0.84	6
		P0.83	5
		P0.82	4
		P0.81	3
		P0.80	2
		P0.79	1

电源供电



烧录口



接口电路