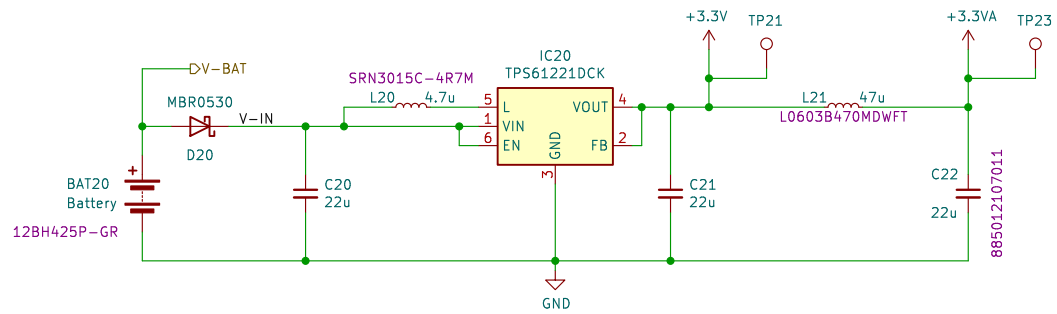


- FID10
Fiducial
- FID11
Fiducial
- FID12
Fiducial
- LOG01

F. Neracher	
Sheet: /	
File: nachtlischt.kicad_sch	
Title: Nachtlischt	
Size: A4	Date: 2023-11-11
KiCad E.D.A. kicad 7.0.9-7.0.9-ubuntu20.04.1	Rev: 2.00
	Id: 1/5



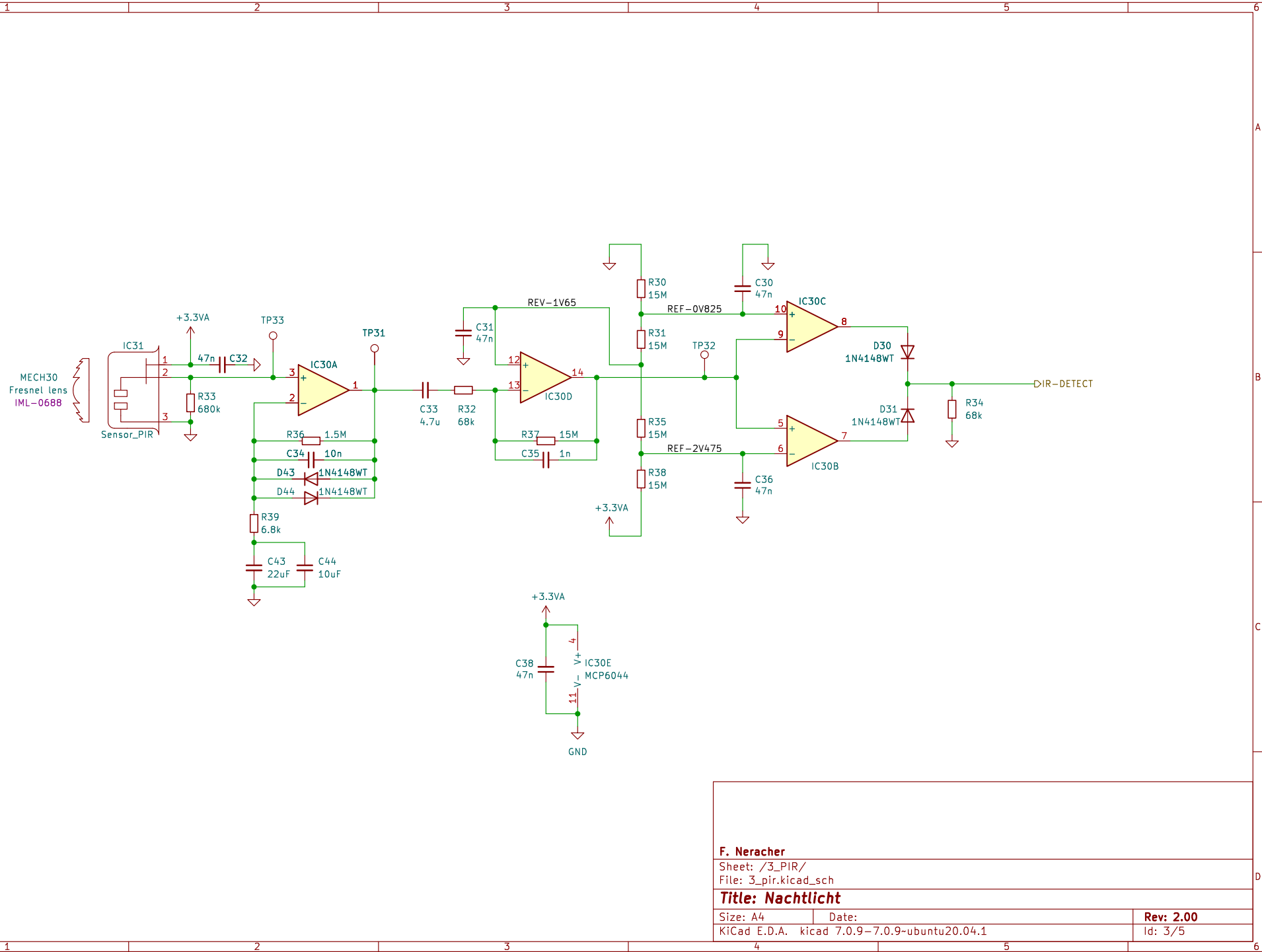
F. Neracher

Sheet: /2_Power_Supply/
 File: 2_power_supply.kicad_sch

Title: Nachlicht

Size: A4 Date: 2023-06-15
 KiCad E.D.A. kicad 7.0.9-7.0.9-ubuntu20.04.1

Rev: 2.00
 Id: 2/5



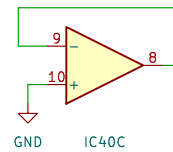
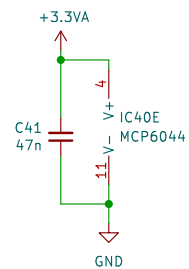
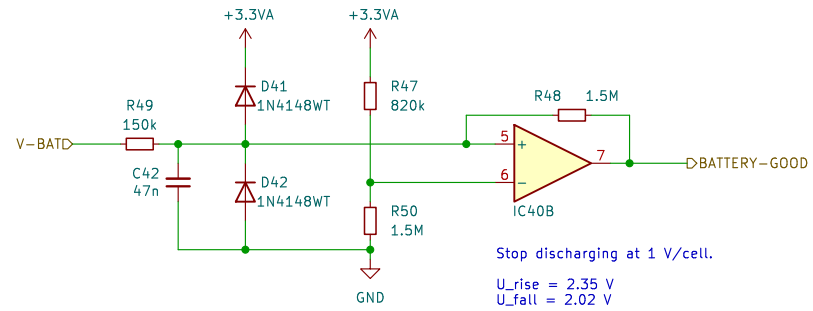
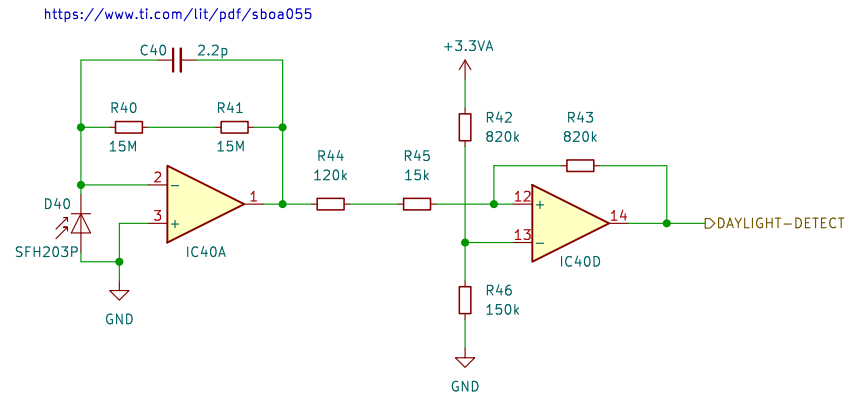
F. Neracher

Sheet: /3_PIR/
File: 3_pir.kicad_sch

Title: Nachtlcht

Size: A4 Date:
KiCad E.D.A. kicad 7.0.9-ubuntu20.04.1

Rev: 2.00
Id: 3/5



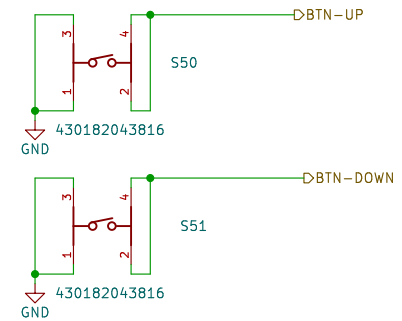
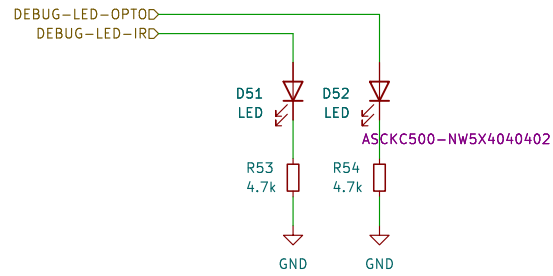
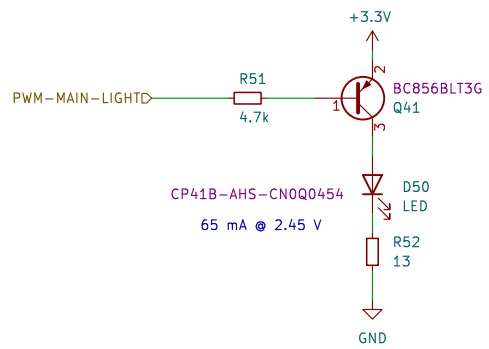
F. Neracher

Sheet: /4_Power_Management/
 File: 4_power_management.kicad_sch

Title: Nachtlicht

Size: A4 Date:
 KiCad E.D.A. kicad 7.0.9-7.0.9-ubuntu20.04.1

Rev: 2.00
 Id: 4/5



F. Neracher

Sheet: /5_User_Interface/
 File: 5_user_interface.kicad_sch

Title: Nachlicht

Size: A4 Date:
 KiCad E.D.A. kicad 7.0.9-7.0.9-ubuntu20.04.1

Rev: 2.00
 Id: 5/5