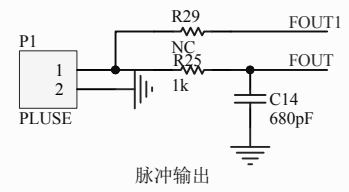
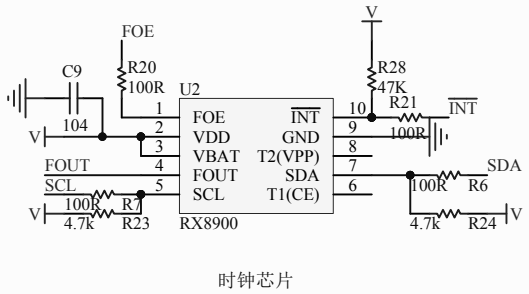
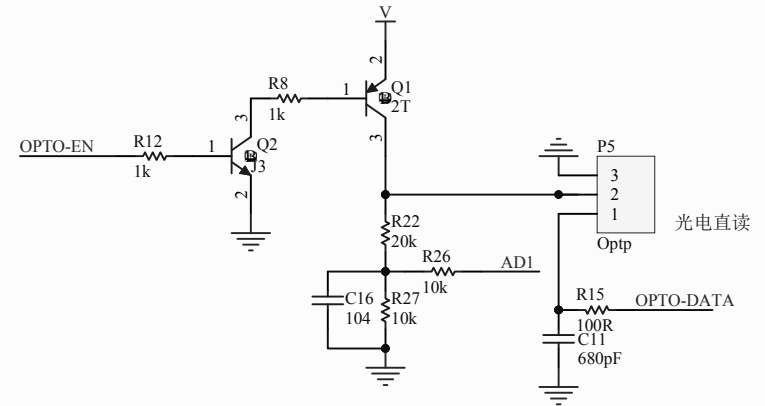
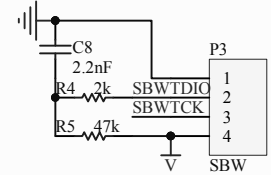
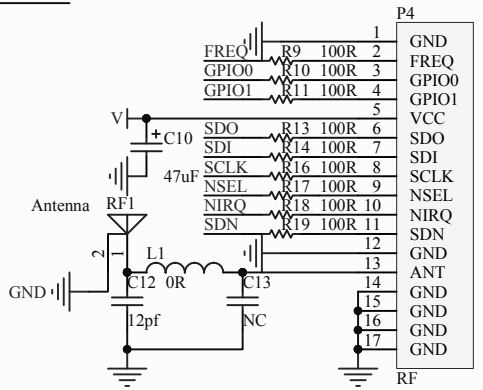
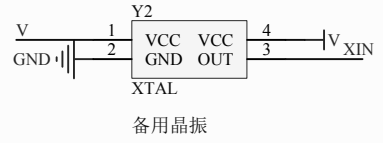
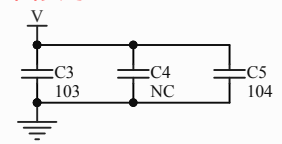


授权晓擎维修用



Title		
Size	Number	Revision
A4		
Date:	2017/12/26	Sheet of
File:	D:\SongChuang\...\SCOPS14V02-3-J4.Sch Drawn By:	