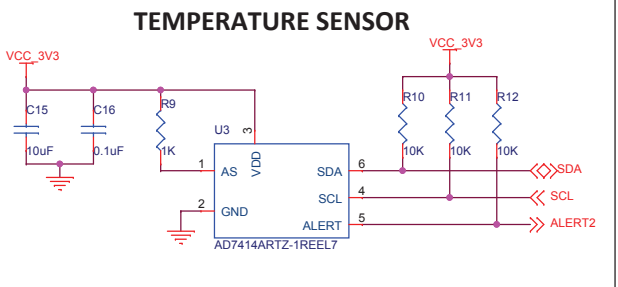
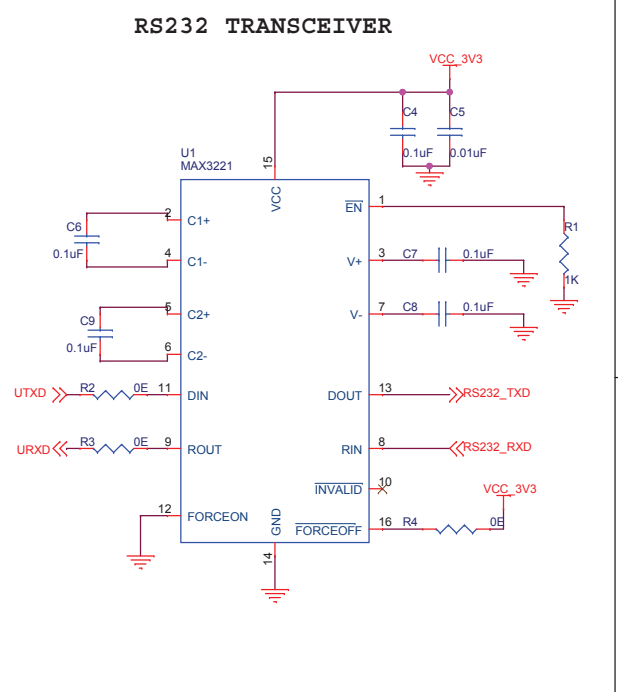
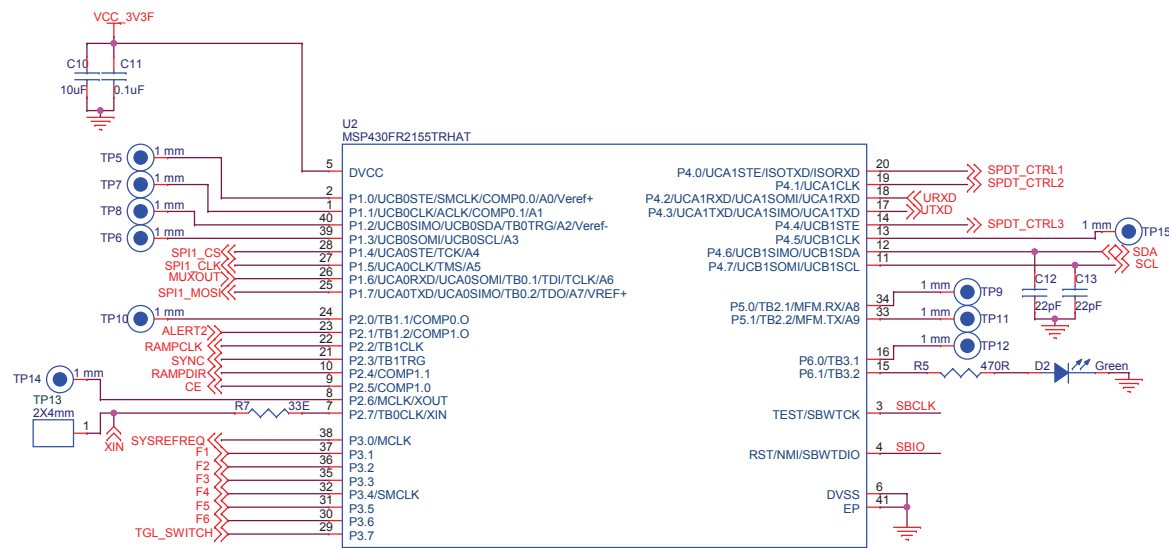
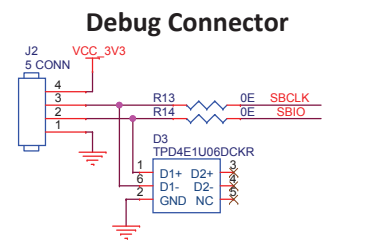
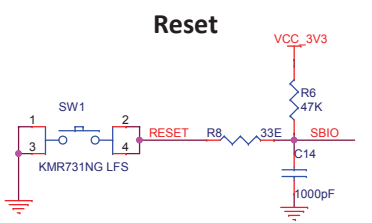
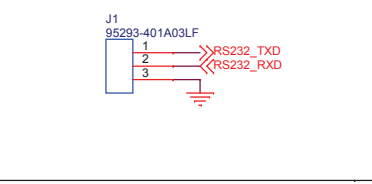
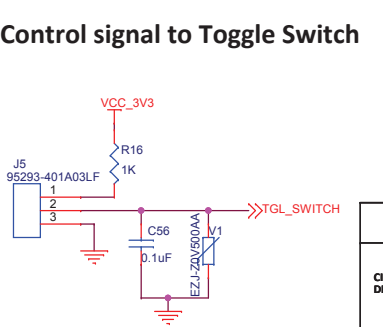
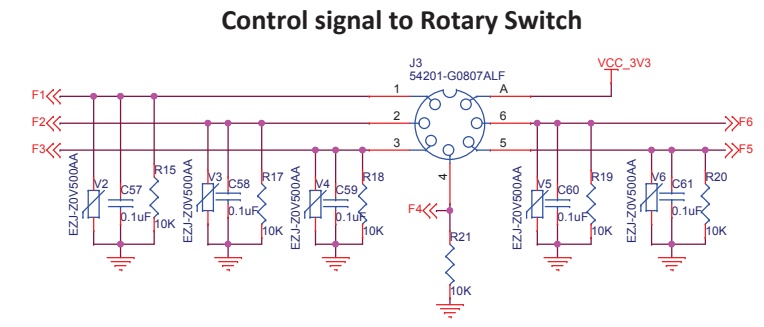
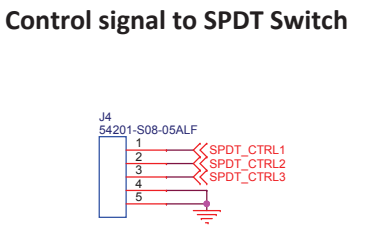


MICROCONTROLLER SECTION



Note : Address is 0X4E
Note:
Need to place near the PLL



MCU_SECTION		Document Prepared/Responsible		Document Approved	
CIRCUIT DIAGRAM	Company Logo 	Project Name STALO		Document Name T-EXT-RFMW-2146-STALO-MCU & PLL-SCH-ROV00	
		Size A3	Date: Monday, December 28, 2020	Revision ROV00	Sheet 4 of 5