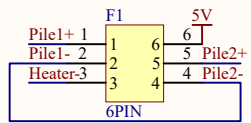
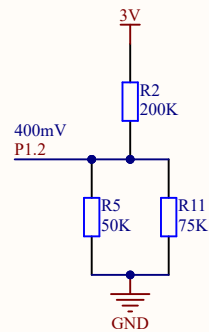
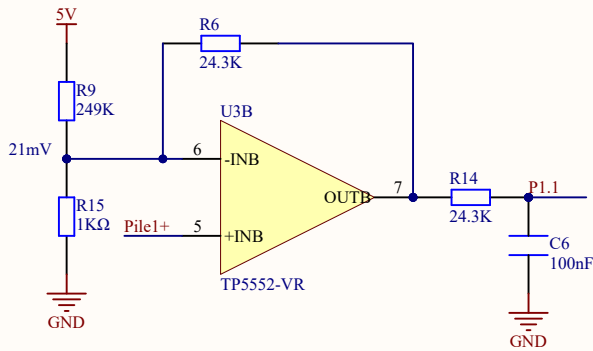
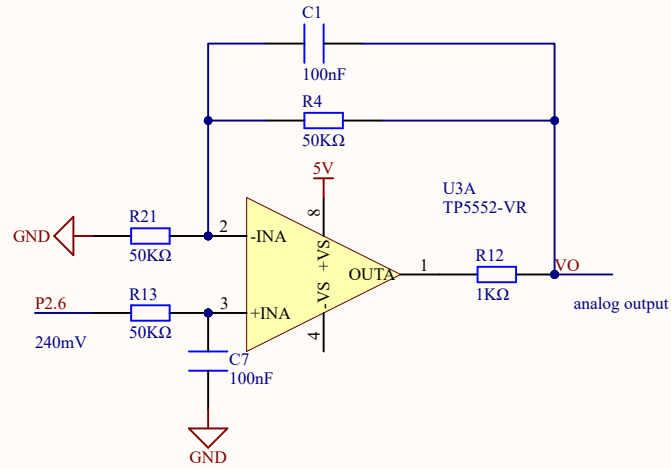
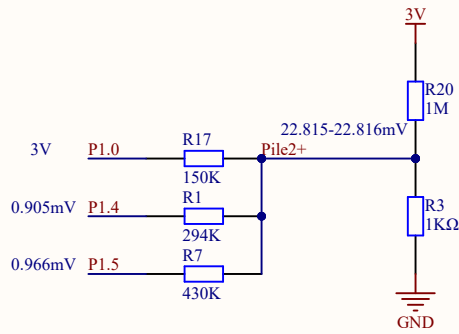
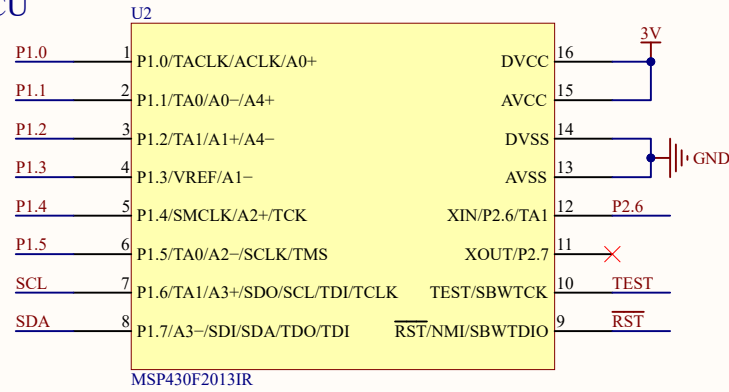


Sensor



MCU



Title		
Size	Number	Revision
A4		
Date:	9/16/2021	Sheet of
File:	E:\桌面\WS流量计0000.SchDoc	Drawn By: