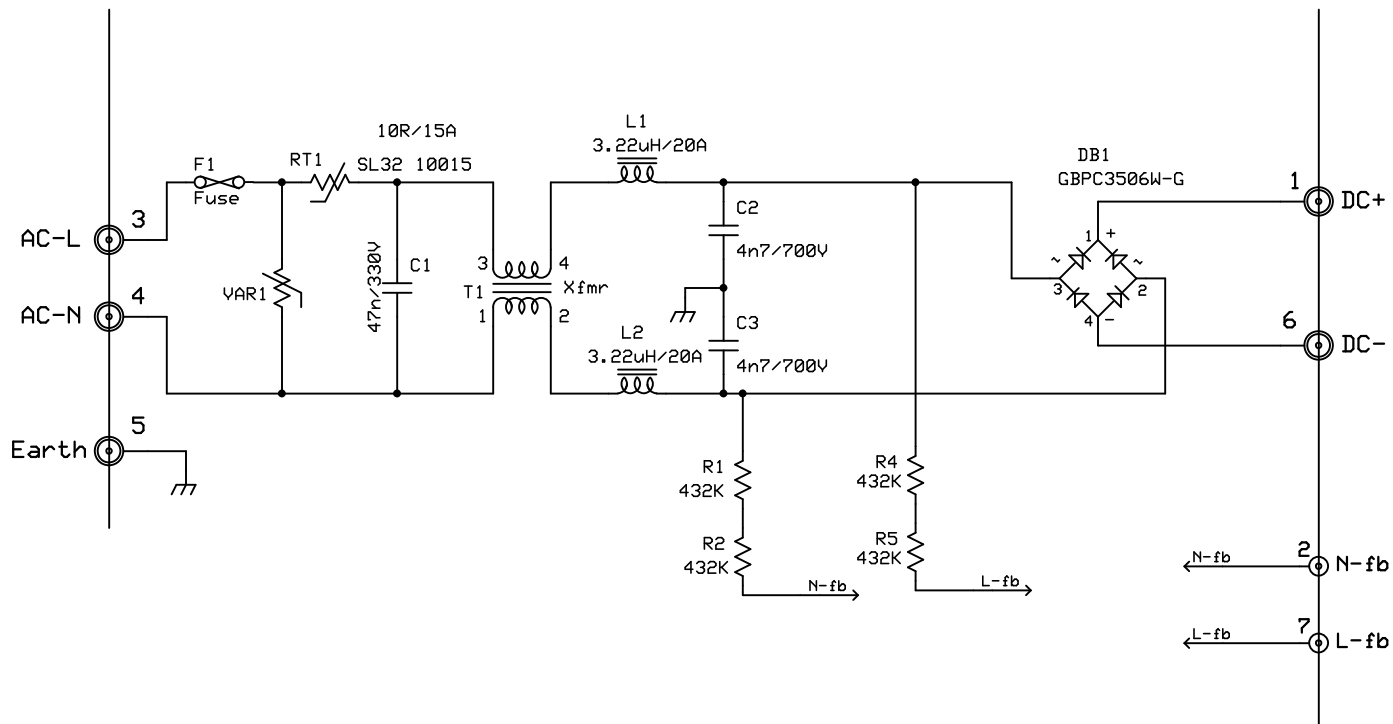
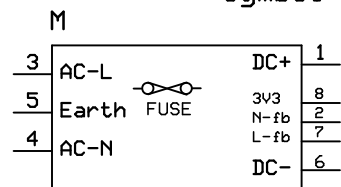


Revisions [R2] to [R3] :-  
 . MGND / PGND o/p routed through low value resistors



Symbol



AC-Pwr-Filt-Ret-LNmeas(macro)

**Texas Instruments**

F2805x : HV Motor+PFC Kit

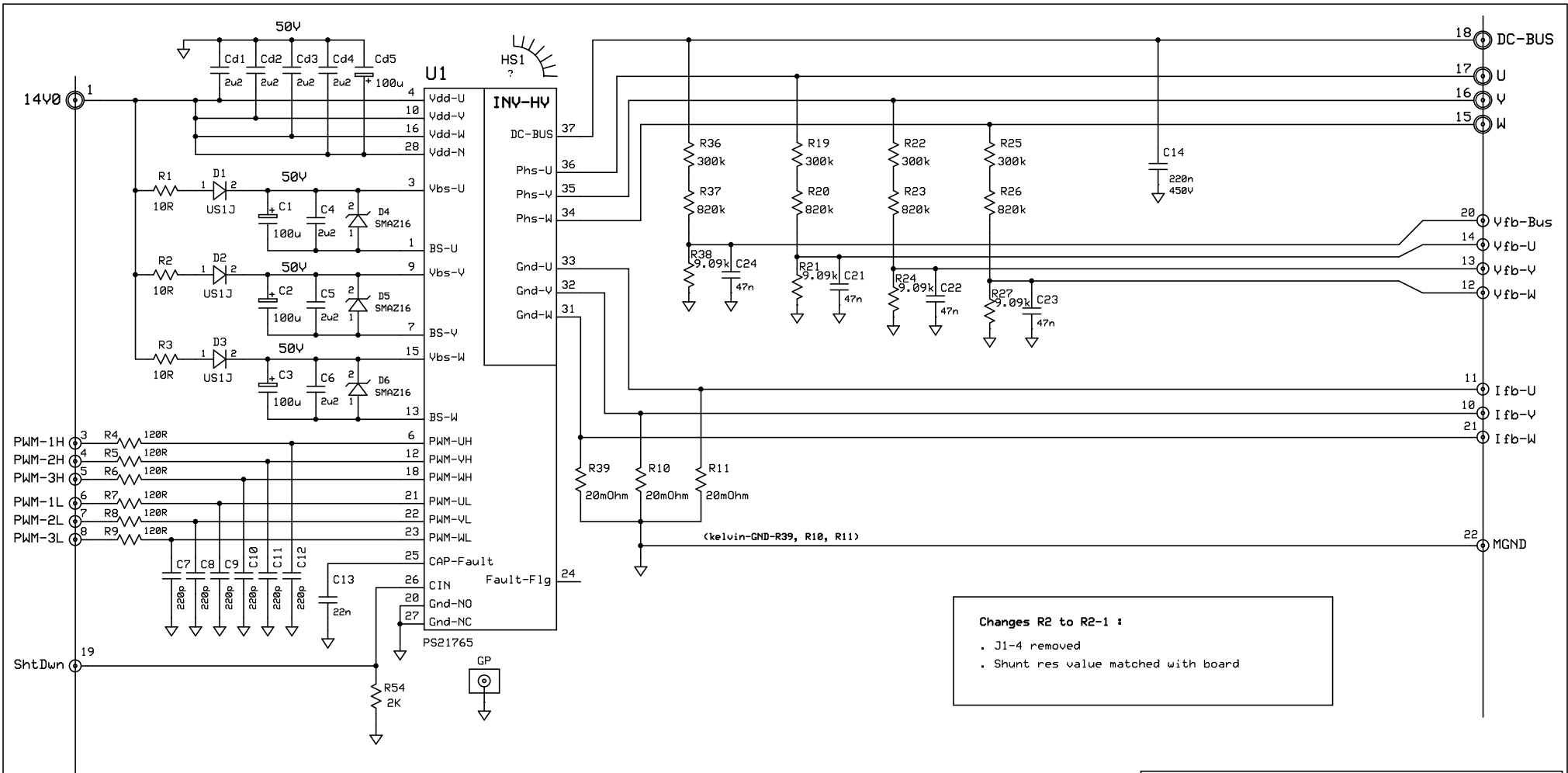
AC-Power - Filter/Ret/LNmeas

05HVMPFCK

[R2.1]

12/18/2014

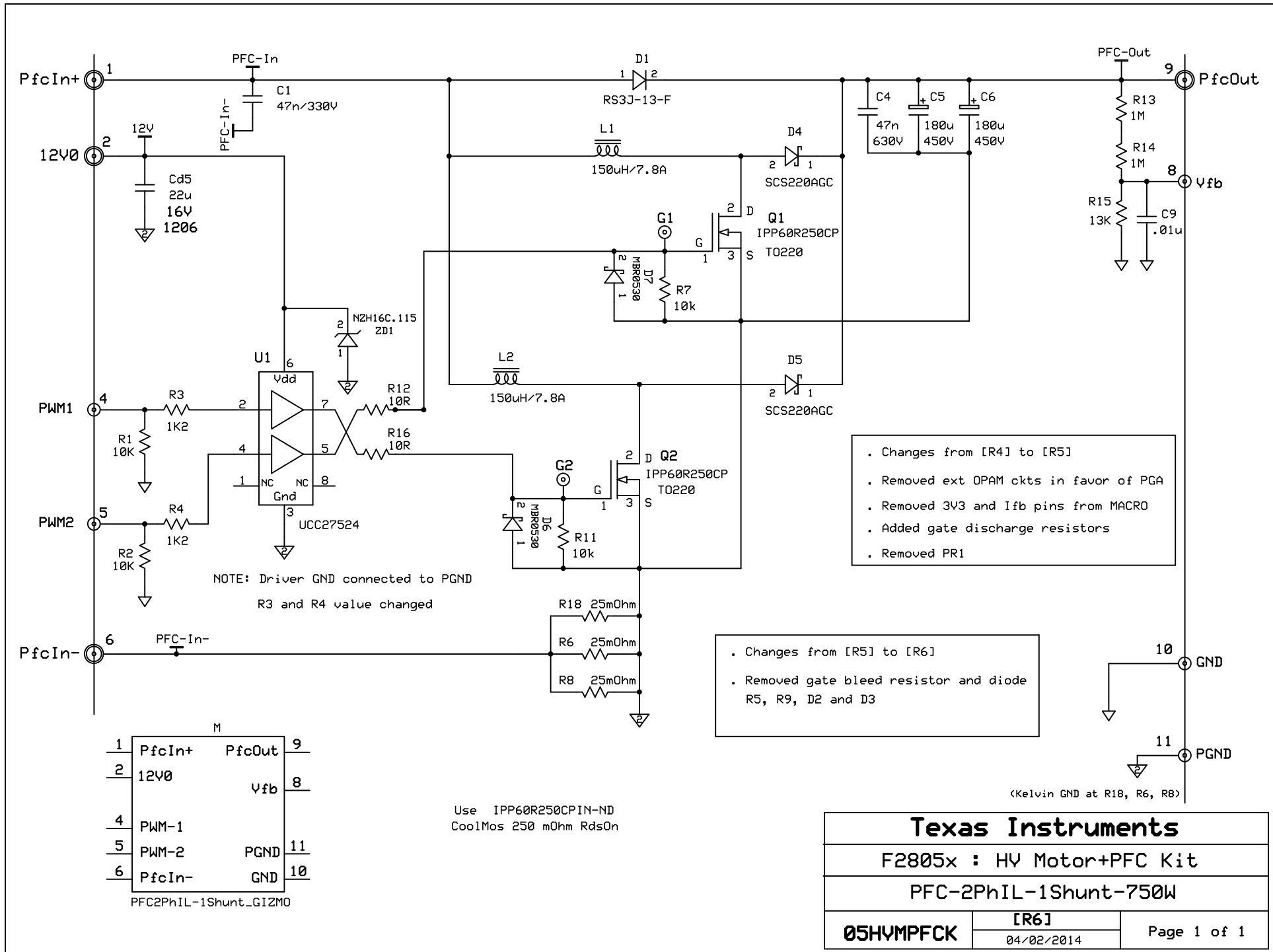
Page 1 of 1



**Changes R2 to R2-1 :**

- . J1-4 removed
- . Shunt res value matched with board

<b>Texas Instruments</b>		
F2805x : HV Motor+PFC Kit		
Inverter3Ph-3Shunt		
<b>05HYMPFCK</b>	[R2.1]	Page 1 of 1
	12/09/2011	



**Texas Instruments**

F2805x : HV Motor+PFC Kit

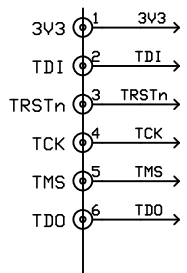
PFC-2PhIL-1Shunt-750W

05HYMPFCK

[R6]

04/02/2014

Page 1 of 1

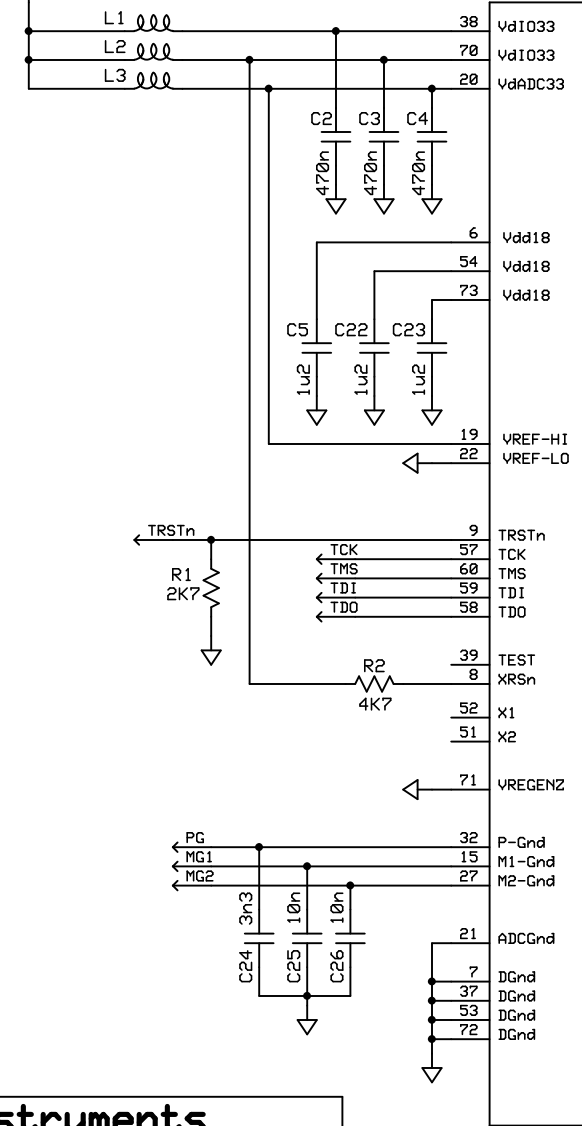


**Symbol**

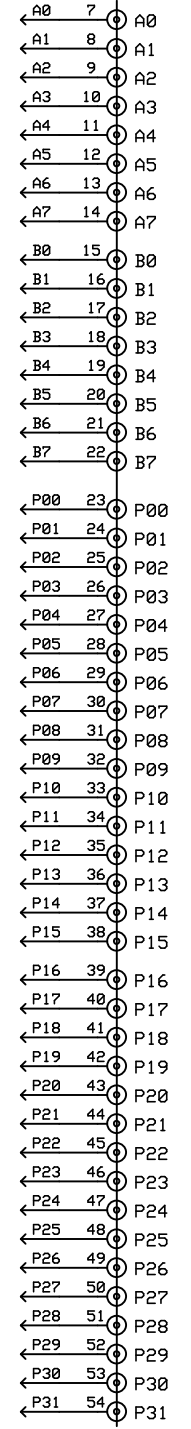
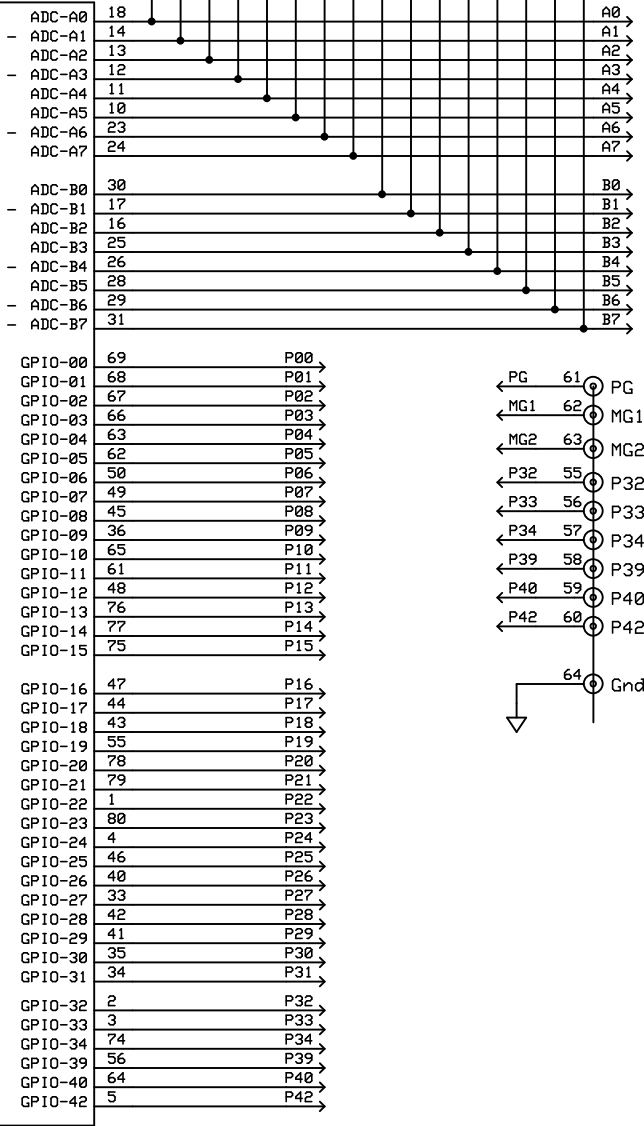
2	TDI	3V3	1
3	TRSTn	Gnd	64
4	TCK	P-Gnd	61
5	TMS	M-Gnd1	62
6	TDO	M-Gnd2	63
15	B0	A0	7
16	B1	A1	8
17	B2	A2	9
18	B3	A3	10
19	B4	A4	11
20	B5	A5	12
21	B6	A6	13
22	B7	A7	14
39	P16	P00	23
40	P17	P01	24
41	P18	P02	25
42	P19	P03	26
43	P20	P04	27
44	P21	P05	28
45	P22	P06	29
46	P23	P07	30
47	P24	P08	31
48	P25	P09	32
49	P26	P10	33
50	P27	P11	34
51	P28	P12	35
52	P29	P13	36
53	P30	P14	37
54	P31	P15	38
		P32	55
		P33	56
		P34	57
		P39	58
		P40	59
		P42	60
		M	

F2805x-80 (Macro)

Inductor Optional  
 Can replace with R = 0, 5, 10

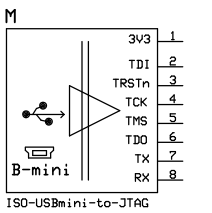
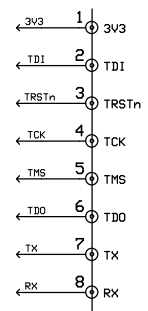
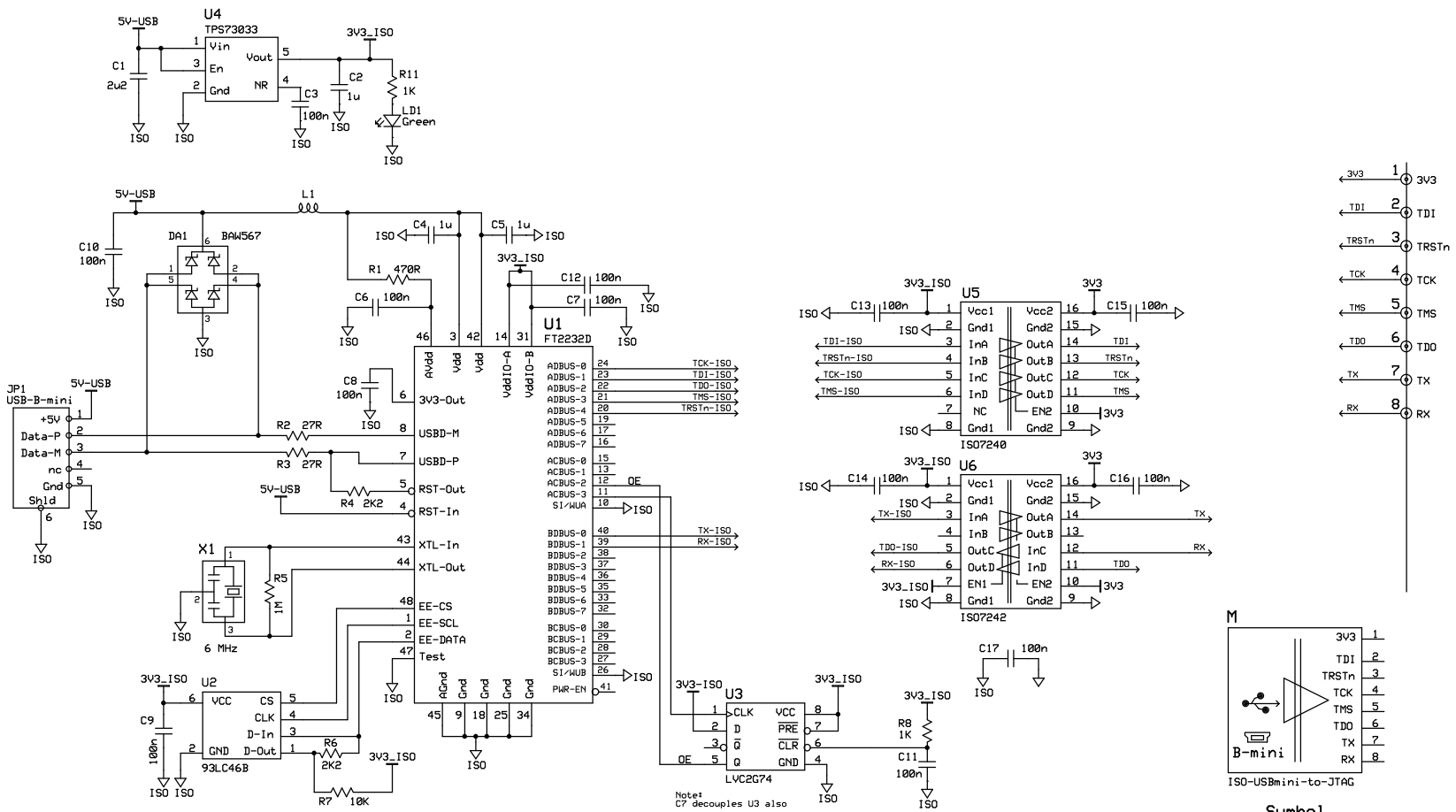


U1  
 F2805x-80



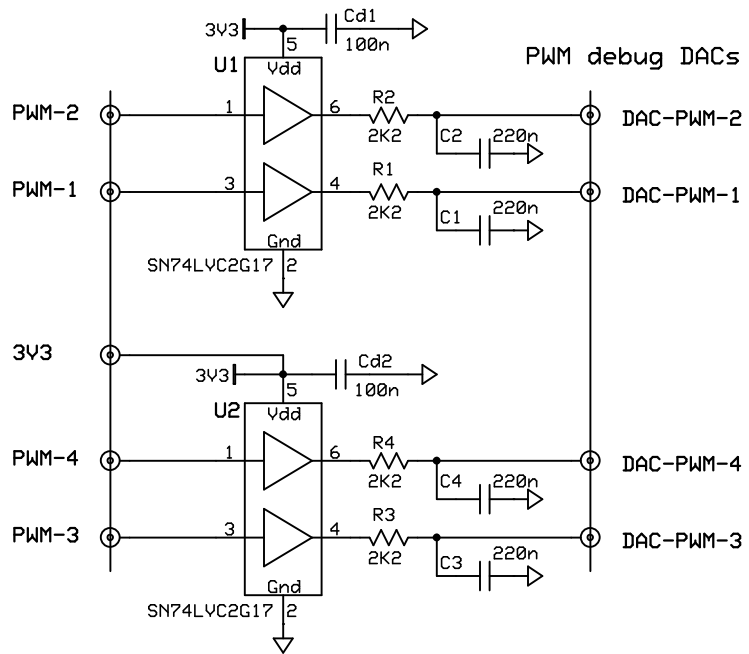
Changes from [R1] to [R2] :  
 . Caps added on MG1, MG2 and PG

**Texas Instruments**  
 F2805x : HV Motor+PFC Kit  
 F2805x-80-TQFP  
 05HYMPFCK [R3] Page 1 of 1  
 04/02/2014

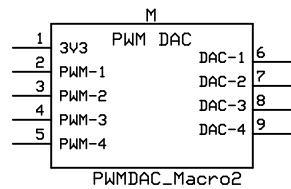


Symbol

<b>Texas Instruments</b>	
F2805x : HV Motor+PFC Kit	
ISO-USBmini-to-JTAG	
<b>05HUMPFC</b>	[R3]
	12/16/2009
	Page 1 of 1



Symbol



**Texas Instruments**

F2805x : HV Motor+PFC Kit

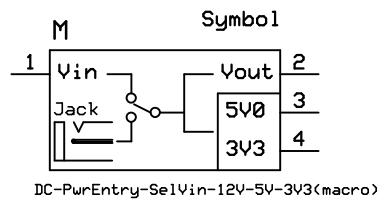
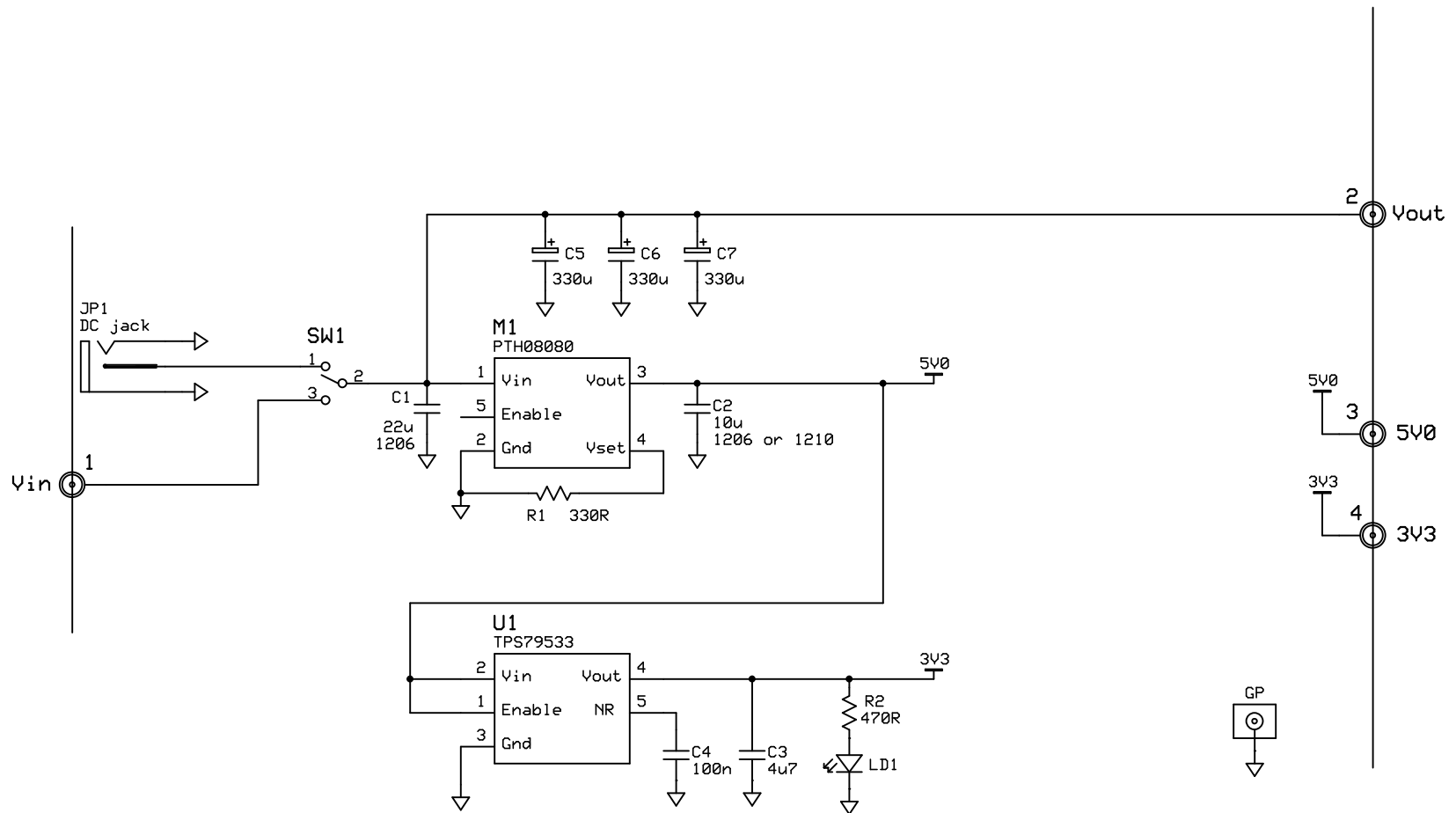
PWM DAC

05HVMPFCK

[R1]

04/02/2014

Page 1 of 1



<b>Texas Instruments</b>		
F2805x : HV Motor+PFC Kit		
DC-PwrEntry-SelVin-12V-5V-3V3		
<b>05HYMPFCK</b>	[R1] 05/09/2010	Page 1 of 1