

6

5

4

3

2

1

REVISION RECORD			
LTR	ECO NO:	CHANGE:	DATE:
SBL	R4.0	Redesign for HSEC8 connector	6/12/12
SBL	R4.1	PCB Change Only	7/23/12
SBL	R4.1	Fixed naming issues in the HSEC symbol (the netlist was not affected)	6/3/14

D

D

C

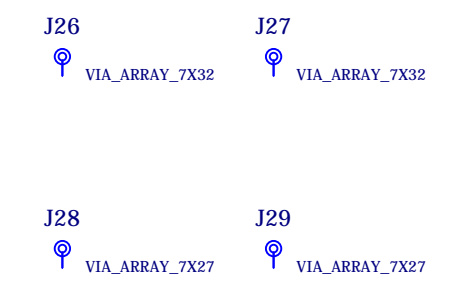
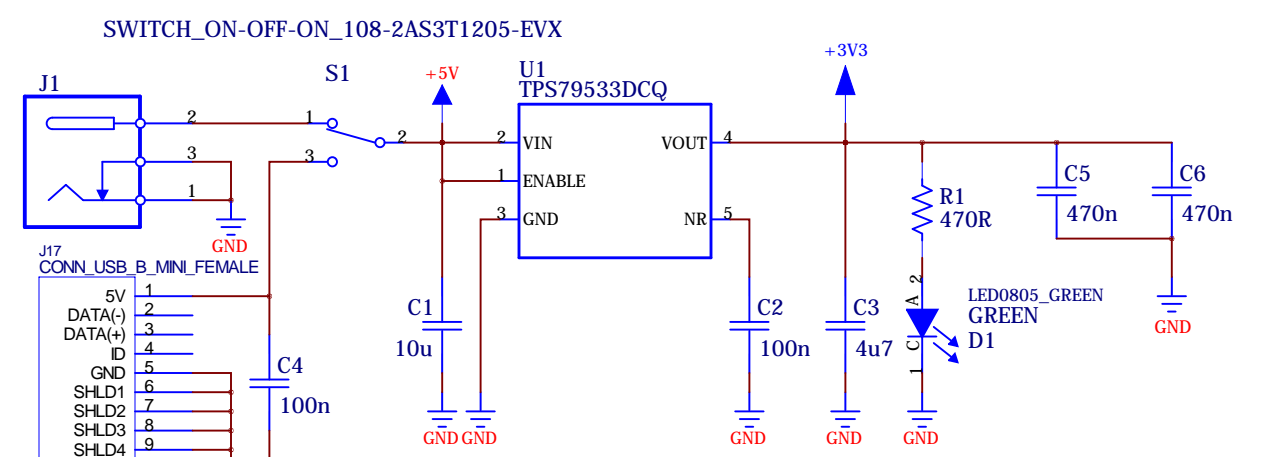
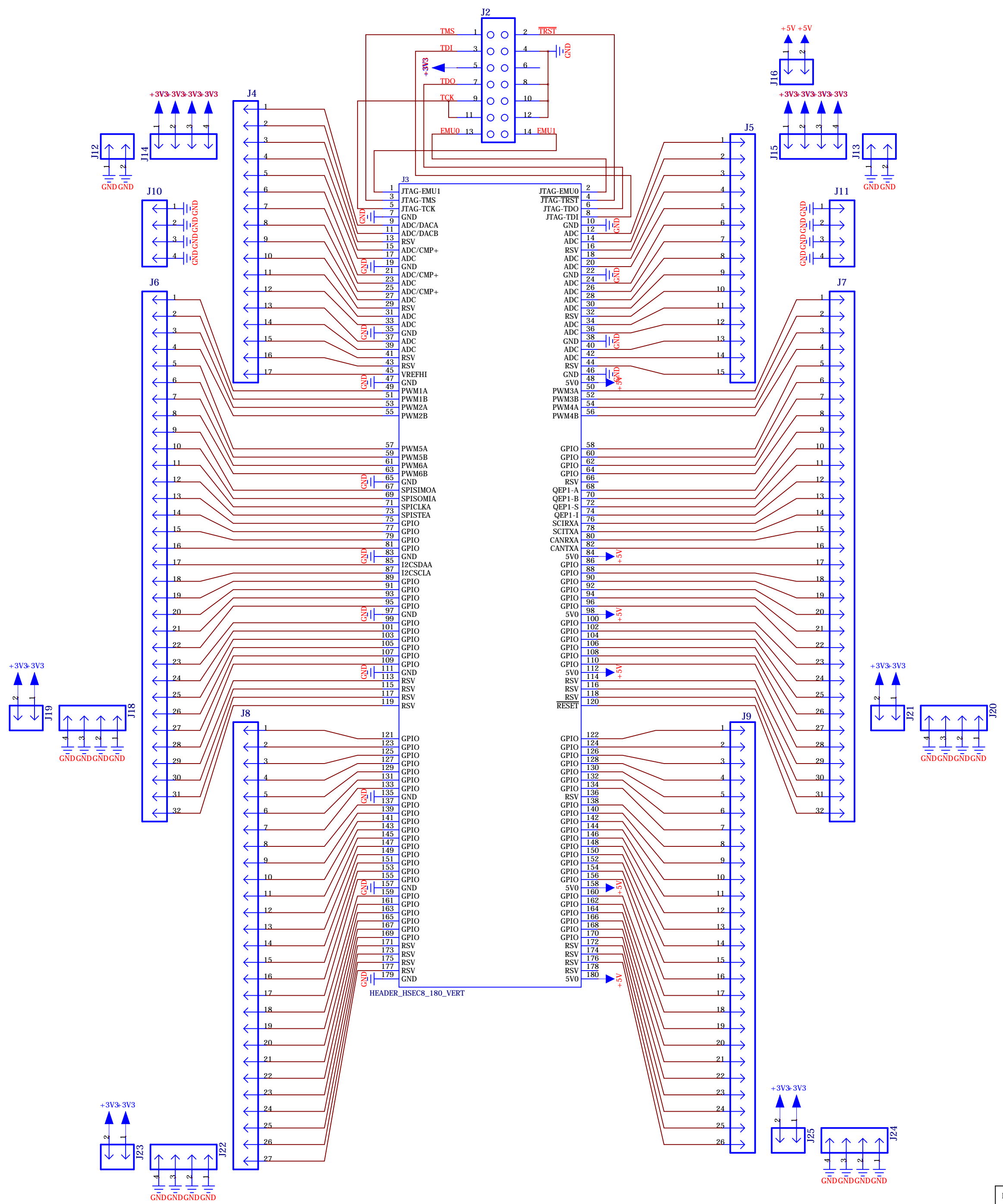
C

B

B

A

A



COMPANY:			
Texas Instruments Inc.			
TITLE:			
controlCARD Docking Station			
CODE:	SIZE:	DRAWING NO:	REV:
	C		4.1
DRAWN:	DATED:	SCALE: <Scale>	
SBL	29-May-2014	SHEET: 1 OF 1	