

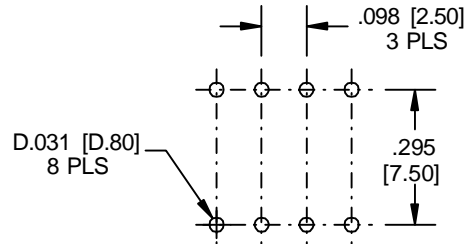
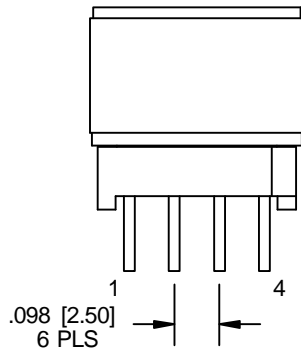
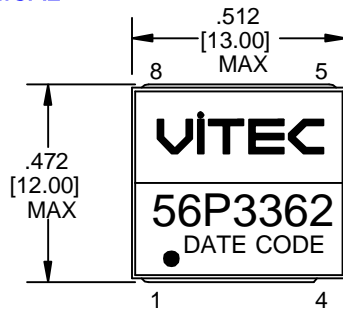
Gate Drive Transformer

56P3362

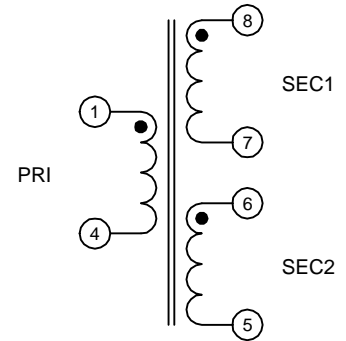
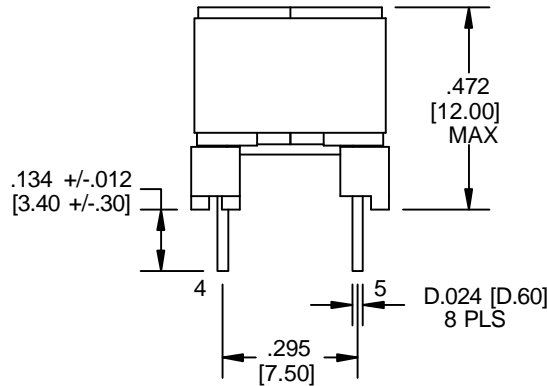
FEATURES

- Operating Temperature from -40°C to 130°C
- Manufactured to UL recognized 155°C insulation system
- Materials meet flammability requirements for UL 94V-0

MECHANICAL



SUGGESTED PCB LAYOUT



SCHEMATIC

ALL DIMENSIONS GIVEN IN INCHES (MM).
TOLERANCES UNLESS OTHERWISE SPECIFIED.
.XX +/- .01 [X +/- .25] .XXX +/- .005 [XX +/- .13] ANGULAR: +/- 1°

ELECTRICAL SPECIFICATIONS @ 25°C

Part Number		Inductance (1-4)	Turns Ratio (1-4):(8-7) (1-4):(6-5)	LL (1-4) SHORT (5,6,7,8)	ET ¹	DCR (1-4)	DCR (8-7) (6-5)	Hipot (Pri-Sec)	Hipot (Sec-Sec)
Classic	RoHS	mH +/-30%	+/- 2%	uH	VuSec	Ohms	Ohms	VRMS	VRMS
		@100 KHZ, 0.1 VRMS	@100 KHZ, 1 VRMS	@100 KHZ, 1 VRMS	MIN	MAX	MAX	2 SEC	2 SEC
56P3362	56PR3362	1.30	1:1	0.35	45	0.350	0.800	3750	1500

NOTES

- Specified ET is based on a maximum Flux Density of 0.200 T [2000 G].
To determine ET Product for unipolar drive, use the following formula:
ET = Vpk * Ton = Vpk * (DuCy/Freq).
For bipolar drive, twice the value of specified ET can be used.

This drawing is the property of Vitec Electronics Corporation. It is not a controlled document. Therefore it is subject to change without prior notice. It's intended use is to supply preliminary information only. Duplication of all or any part of this drawing is prohibited.

AF4779 56P3362_091508



6213 El Camino Real, Carlsbad, CA 92009
TEL: (760) 918-8831 FAX: (760) 918-8840
<http://www.VitecCorp.com>