
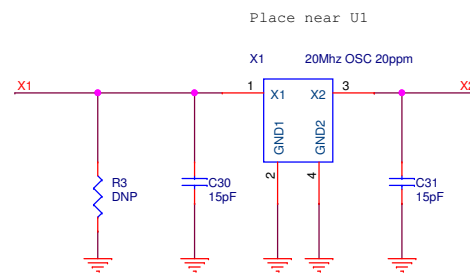
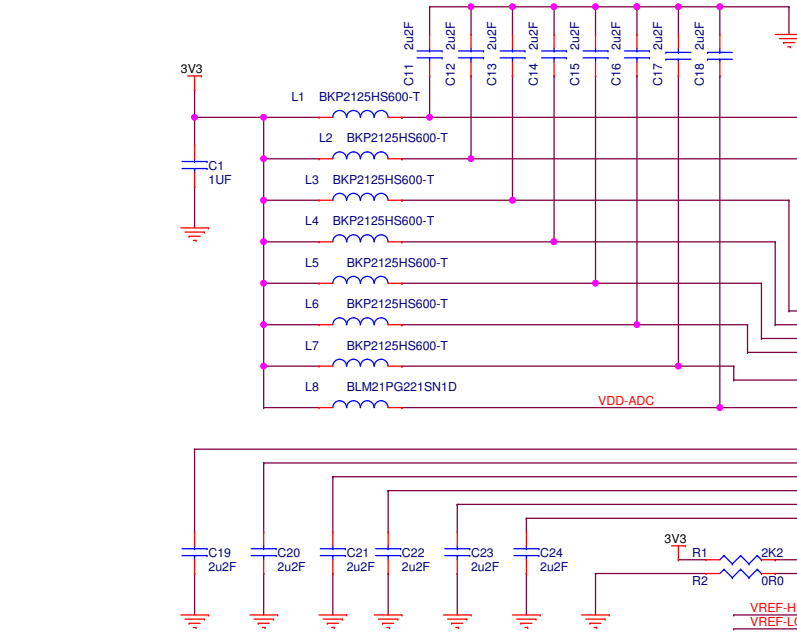


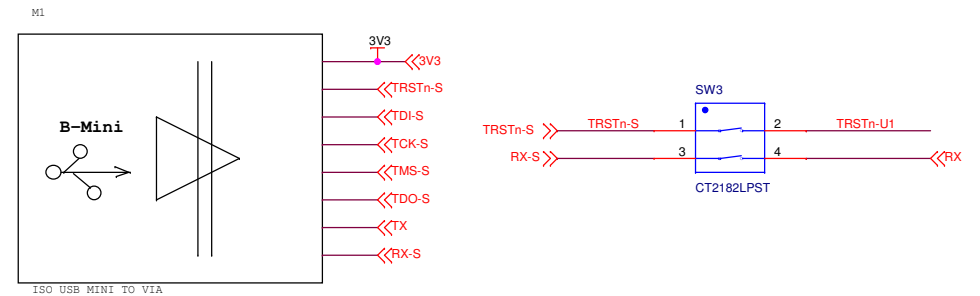
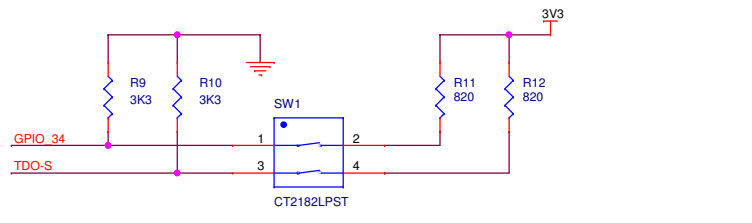
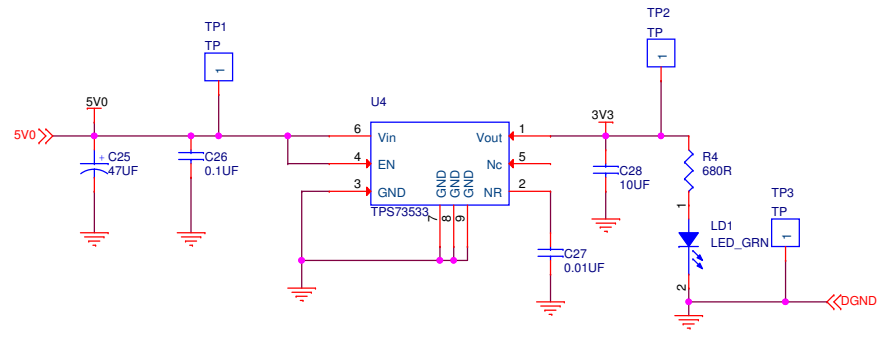
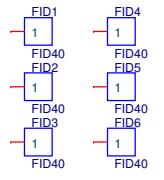
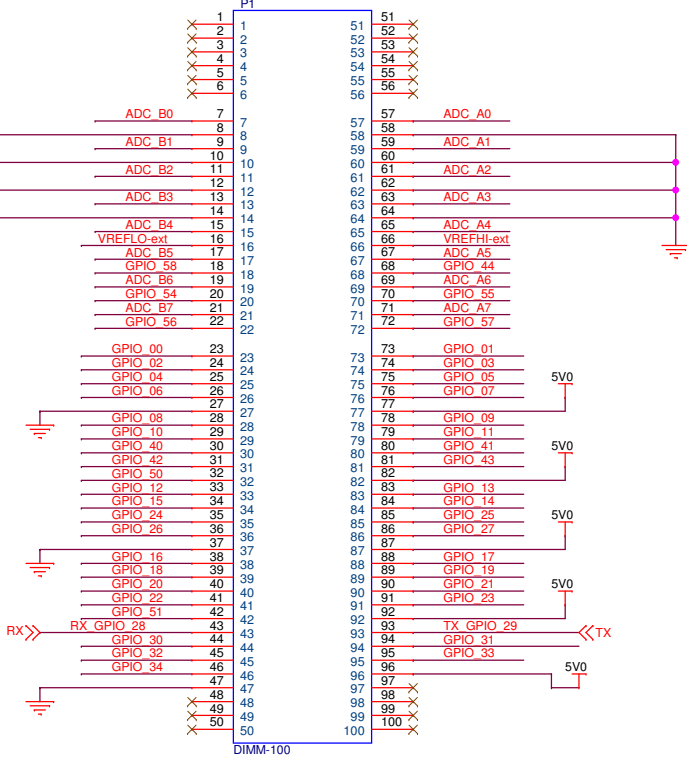
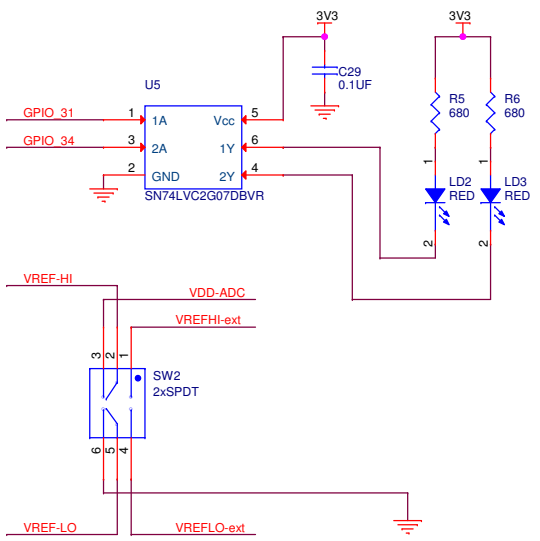
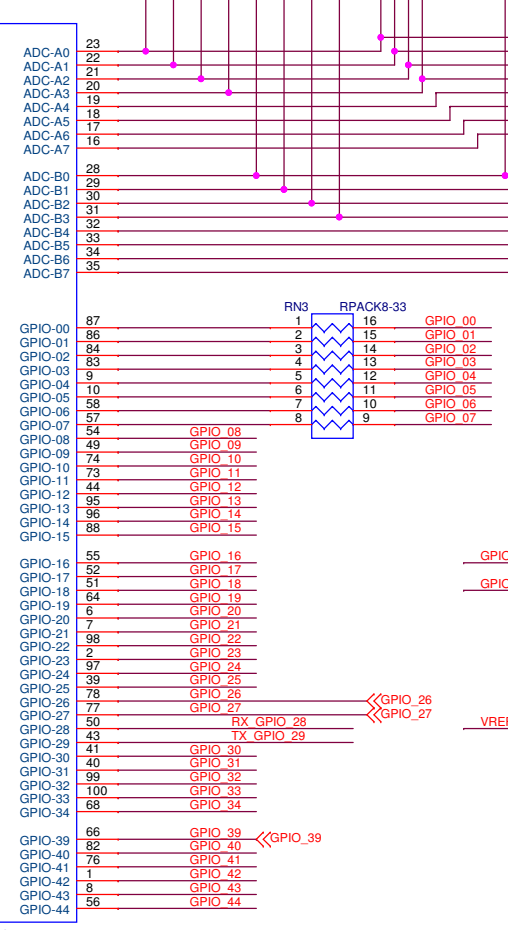
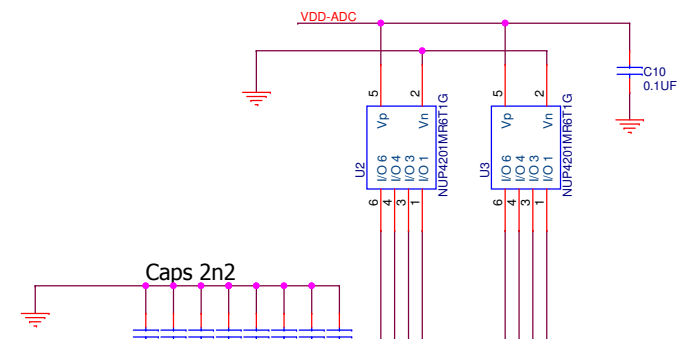
0.1 - First Draft
0.1b - Fixed ISO TX/RX connections
0.1c - Final release - fixed Q200 foot print

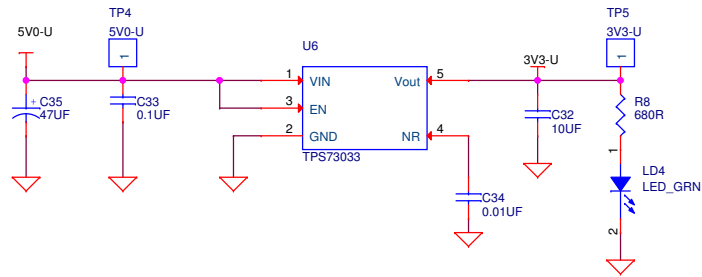
DIRECTORY:
1 - Notes
2 - MCU
3 - IO

Title: F2806x Controller Card			
Size: B	F2806x_CONTROLLERCARD_V0.4.DSN	Revision: 0.4	
Date:	Thursday, January 16, 2014	Sheet 1 of	3

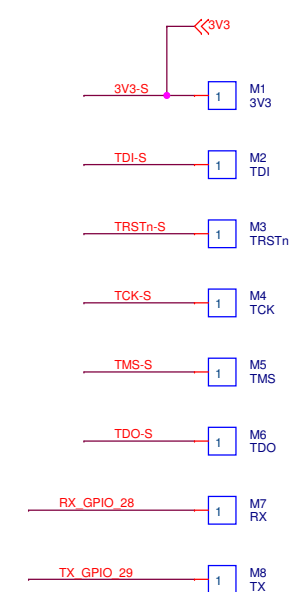
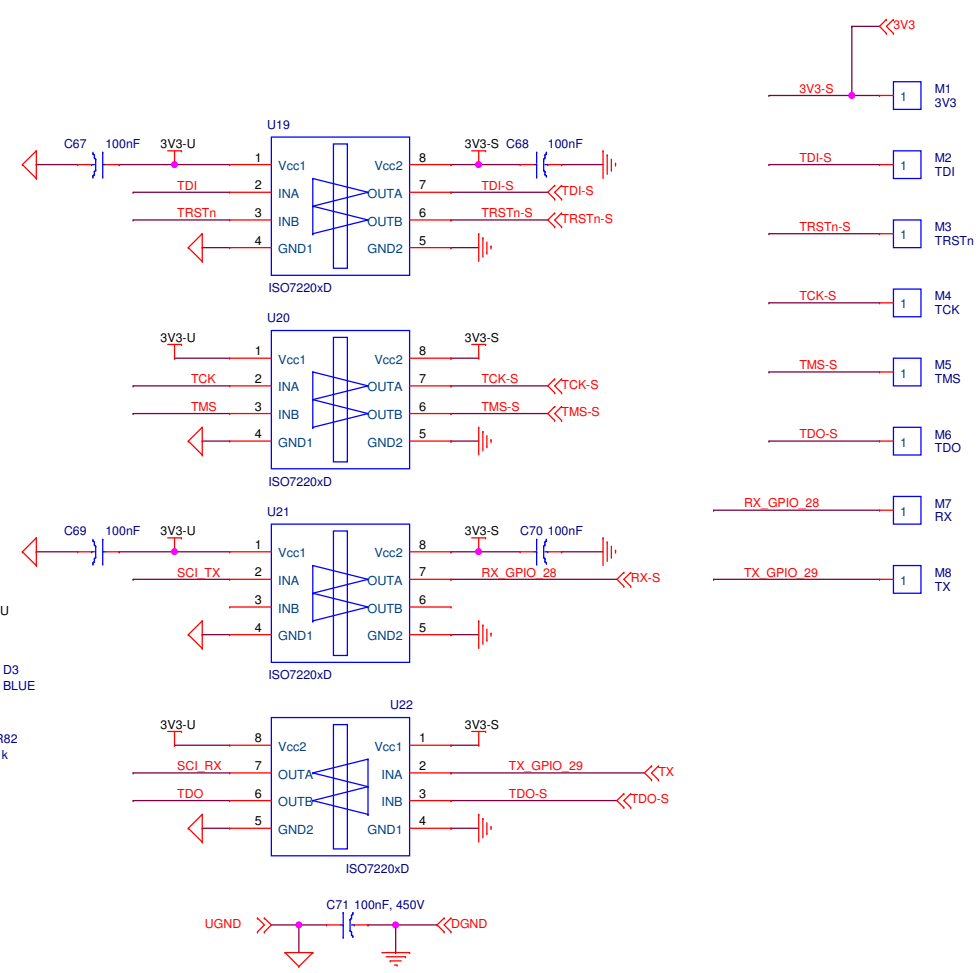
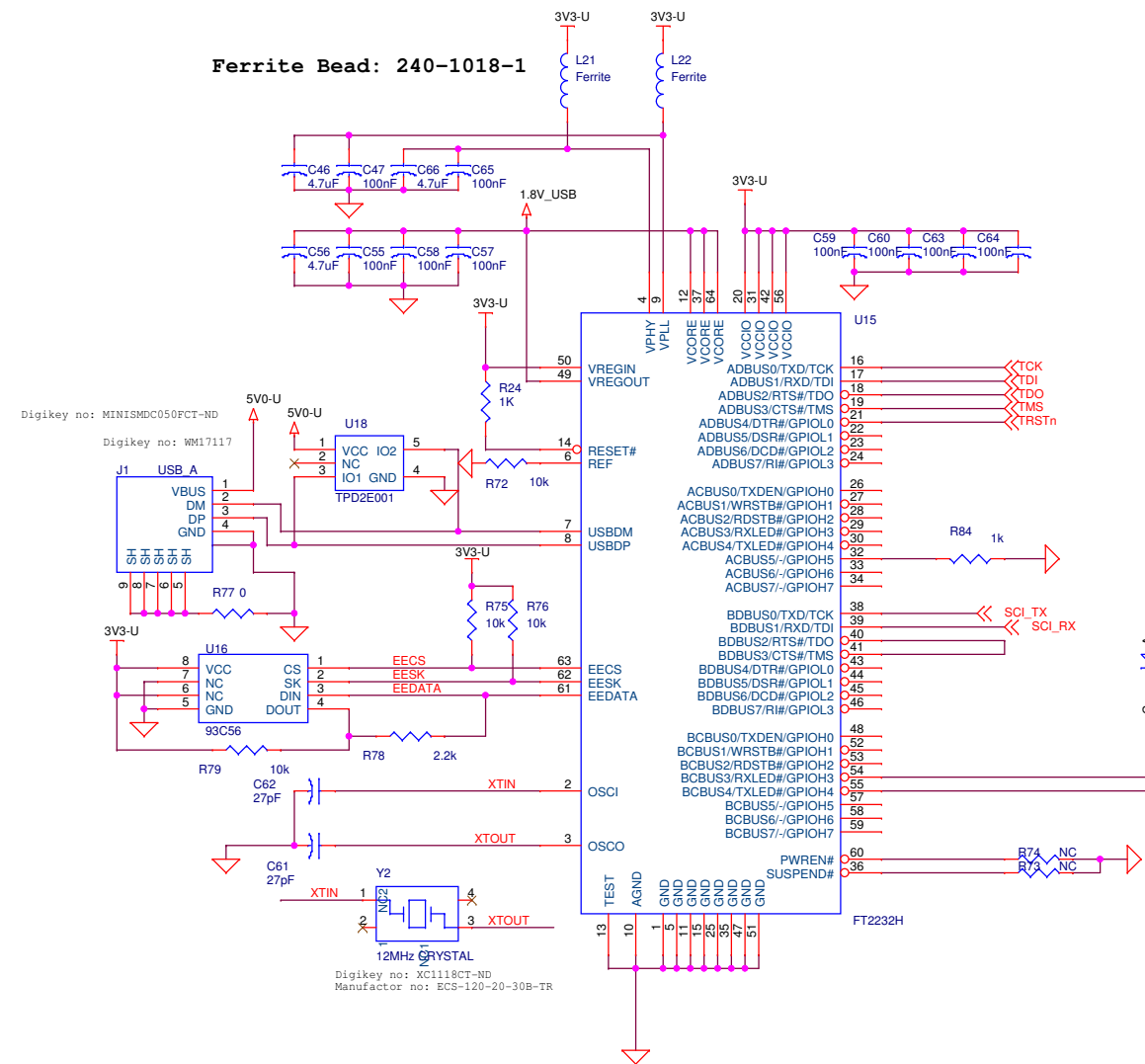


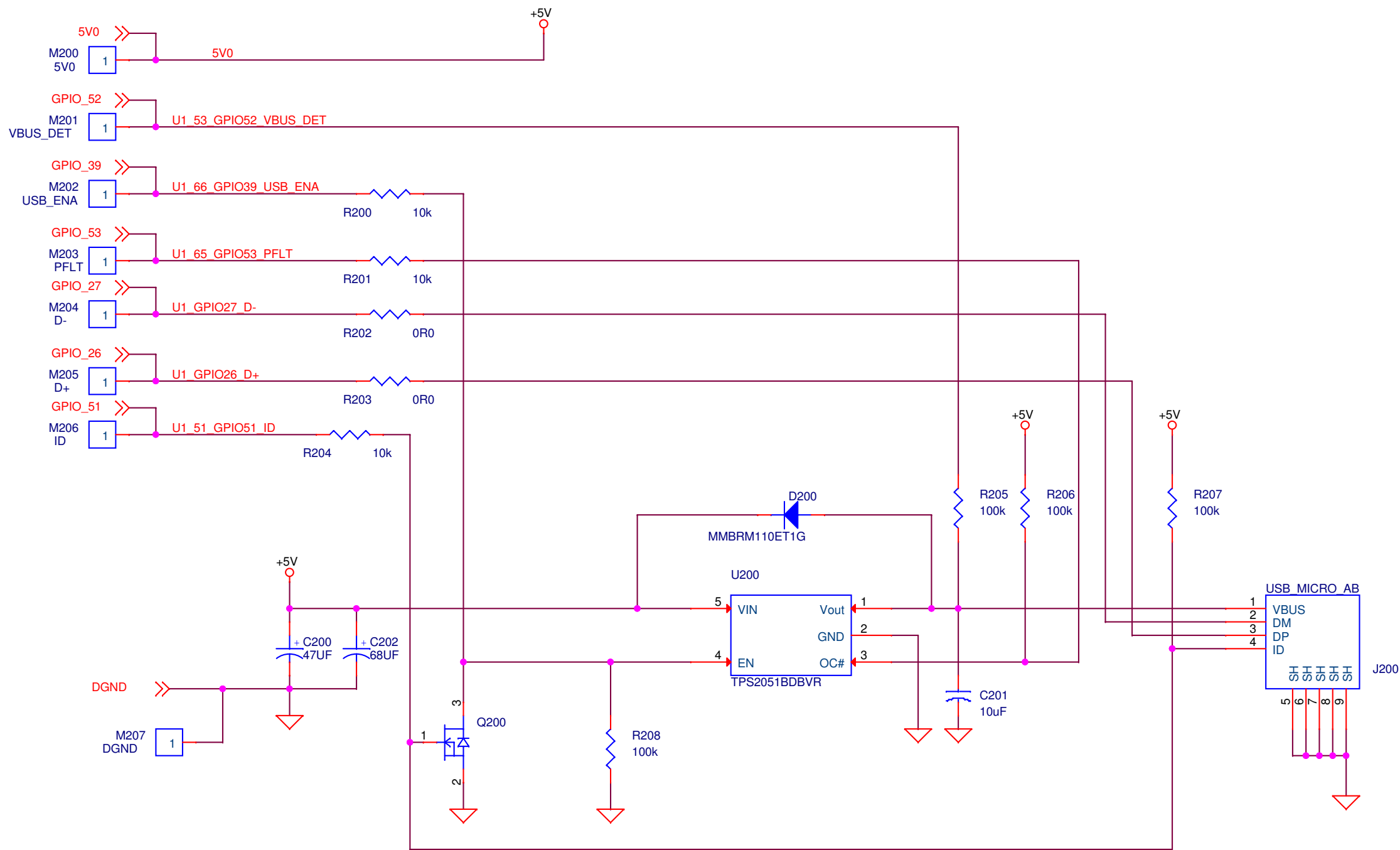
If only the internal crystal is used:
 X1 can be depopulated, R3 should be populated with a 0ohm resistor, and C30+C31 should be depopulated.





Ferrite Bead: 240-1018-1





TI		
Title: F2806x Controller Card		
Page Contents: Power/Ground		
Size: B	F2806x_CONTROLLERCARD_V0.4.DSN	Revision: 0.4
Date:	Thursday, January 16, 2014	Sheet 4 of 4