

ARTHRO

Design Name	ARTHRO_CARRIER_V1.0
Previous version	NA
Version	Production Release
Date	21 APRIL 2022
Designer	Shubham Shivarkar
Reviewer	Shivam Khole

History Table		
Version	Date	Comments
1.0	04/09/2021	PENDING POINTS TO BE COMPLETED AS PER NOTES. FP & HANDPIECE TO BE ADDED. SIGNAL IMMUNITY CKTS TO BE ADDED.

Configuration note

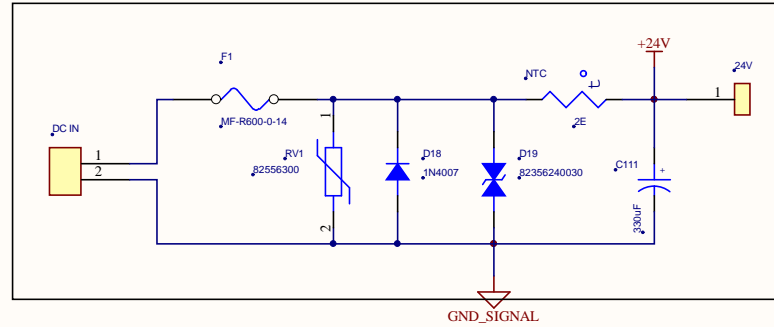
Hardware Block
HIGH LEVEL NAME

General note

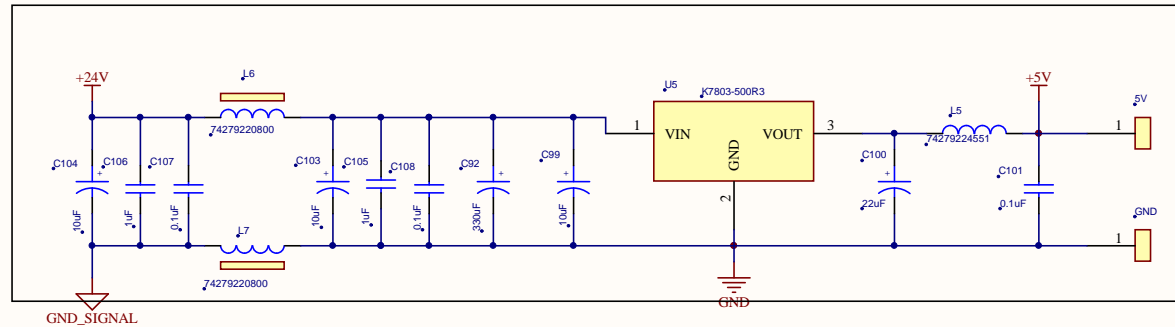
COMPRESSED IMAGE		OFFICE :PLOT NO 10,LANE NO 3 TUKAI DARSHAN, SASWAD ROAD, HADAPSAR,PUNE - 412308 MAHARASHTRA, INDIA	
Project : ARTHRO			
Size	Document Name : ARTHRO_CARRIER_V1.0		Rev
A	Sheet Title : VERSION CONTROL		.1.0
Date:	Sheet	1	of 15

POWER SUPPLY

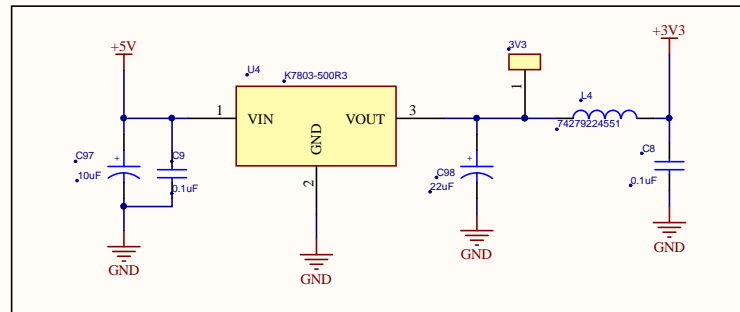
+24V POWER IN



5V DC DC CONVERTER



3.3V DC DC CONVERTER

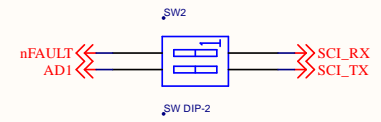
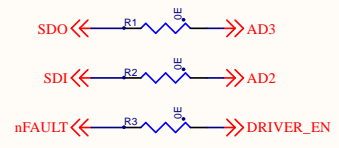
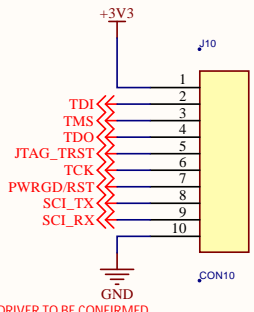
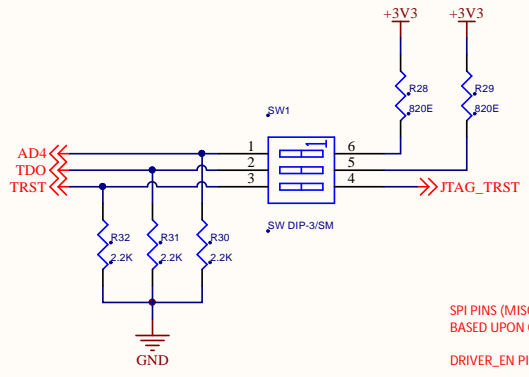
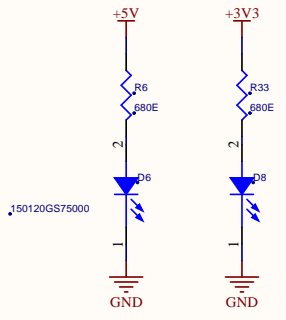
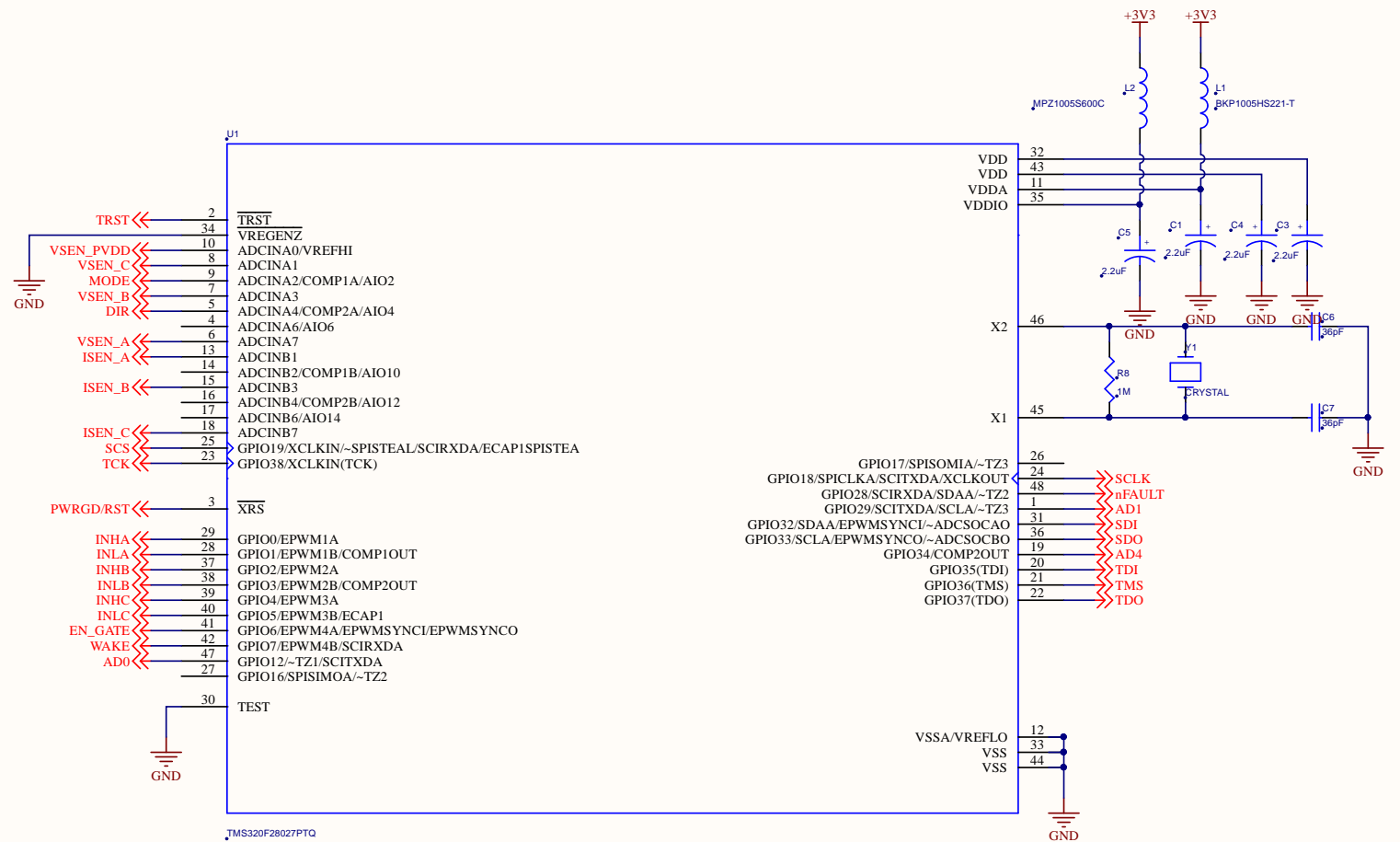


**COMPRESSED
IMAGE**

OFFICE : PLOT NO 10, LANE NO 3
TUKAI DARSHAN, SASIWAD ROAD,
HADAPSAR, PUNE - 412308
MAHARASHTRA, INDIA

Project : ARTHRO		Rev : 1.0
Size	Document Name : ARTHRO_CARRIER_V1.0	
Date:	Sheet Title : POWER SUPPLY	Sheet 2 of 15

TI MCU

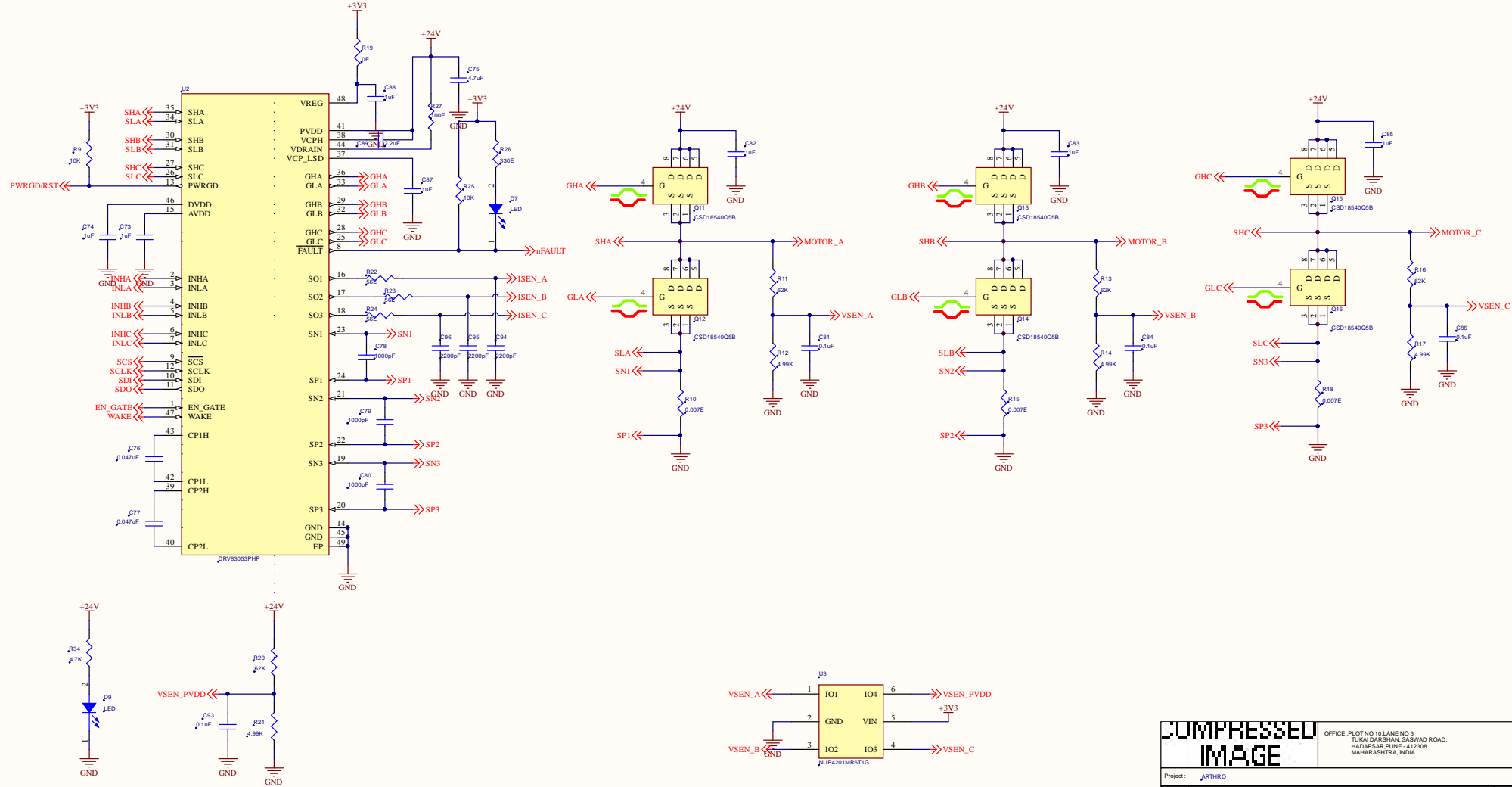


SPI PINS (MISO & MOSI) FROM TI MCU TO DRIVER TO BE CONFIRMED.
 BASED UPON CONFIRMATION AD2 & AD3 SIGNALS CAN BE CONNECTED.
 DRIVER_EN PIN TO TI MCU TO BE CONFIRMED

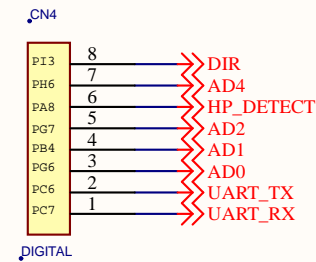
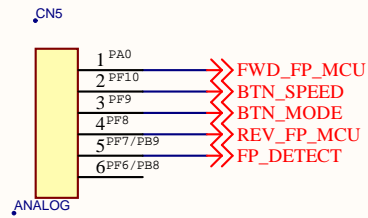
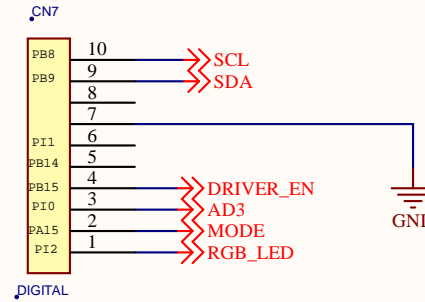
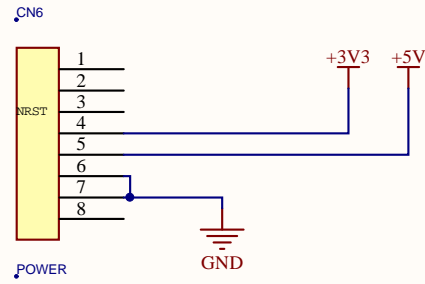
COMPRESSED IMAGE

OFFICE : PLOT NO 10, LANE NO 3
 TUKAI DARSHAN, SASWAD ROAD,
 HADAPSAR, PUNE - 412308
 MAHARASHTRA, INDIA

Project : ARTHRO		Rev : 1.0
Size	Document Name : ARTHRO_CARRIER_V1.0	
	Sheet Title : TI MCU	
Date :	Sheet 2 of 15	

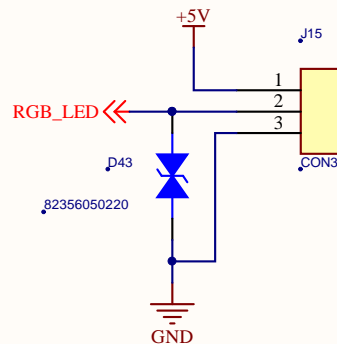
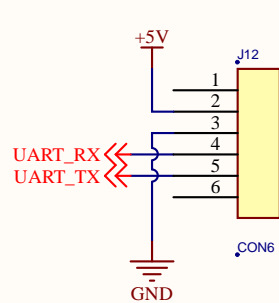


MCU CONNECTOR



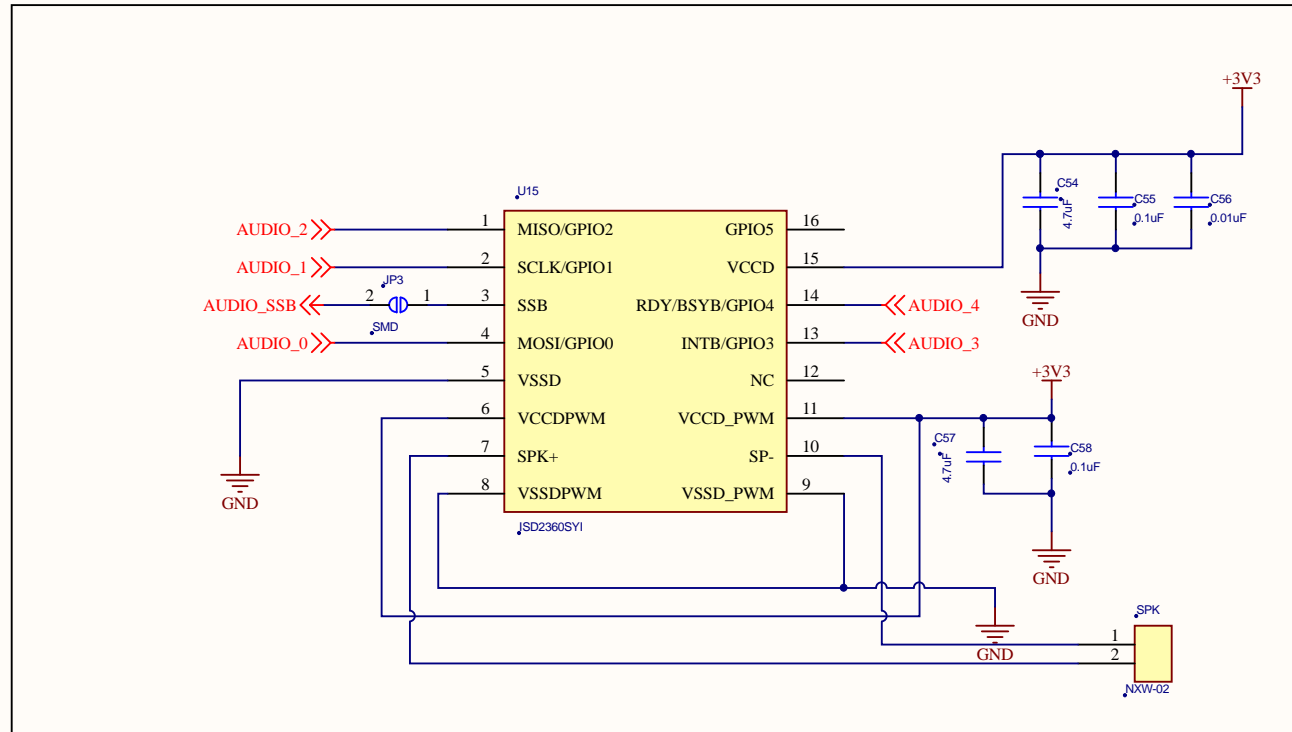
FWD_FP & REV_FP ANALOG IP PINS TO BE CONFIRMED.

MCU pinout to be checked before loading fabrication order.

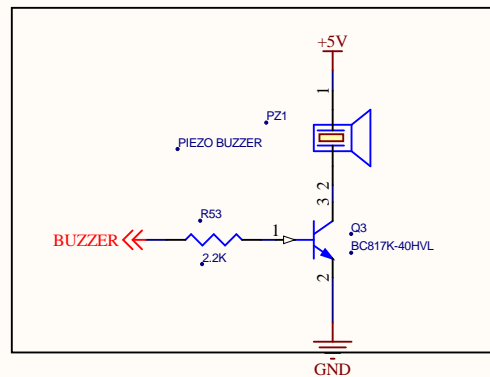
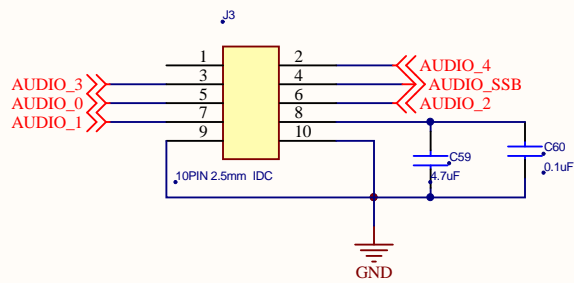


		OFFICE :PLOT NO 10,LANE NO 3 TUKAI DARSHAN, SASWAD ROAD, HADAPSAR,PUNE - 412308 MAHARASHTRA, INDIA	
		Project : ARTHRO	
Size	Document Name :	Rev	
A	ARTHRO_CARRIER_V1.0	1.0	
Sheet Title :		Date:	
MCU CONNECTOR		Sheet 5 of 15	

AUDIO SECTION



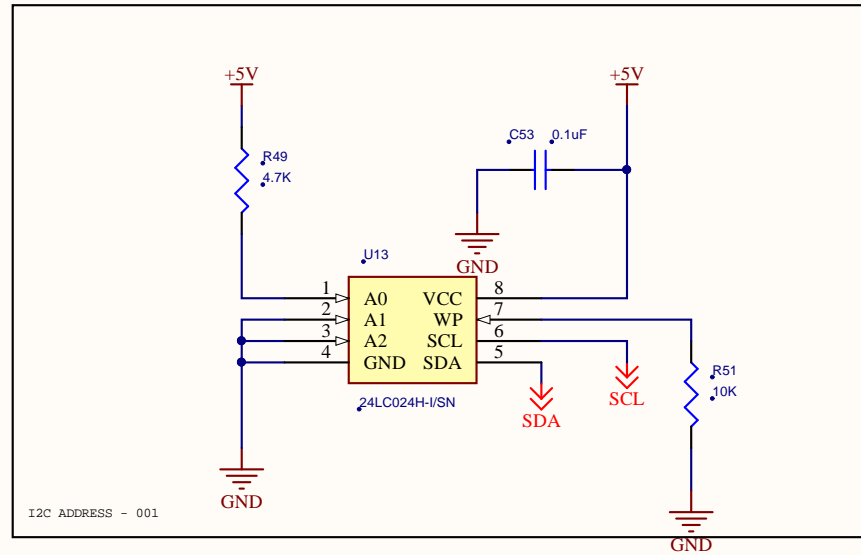
BUZZER



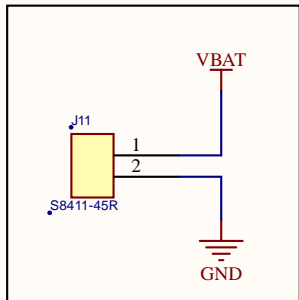
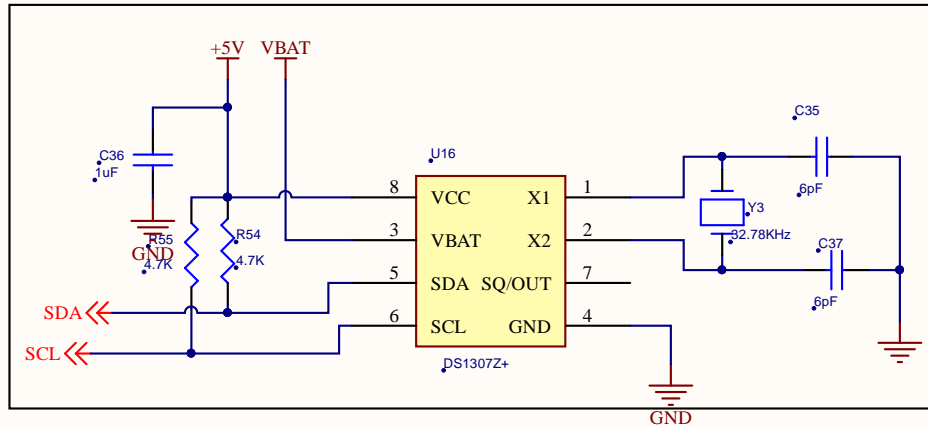
<h1>COMPRESSED IMAGE</h1>		OFFICE :PLOT NO 10,LANE NO 3 TUKAI DARSHAN, SASWAD ROAD, HADAPSAR,PUNE - 412308 MAHARASHTRA, INDIA	
		Project : ARTHRO	
Size	Document Name :	ARTHRO_CARRIER_V1.0	
Date:	Sheet Title :	AUDIO SECTION	
	Rev	.1.0	

EEPROM & RTC

EEPROM

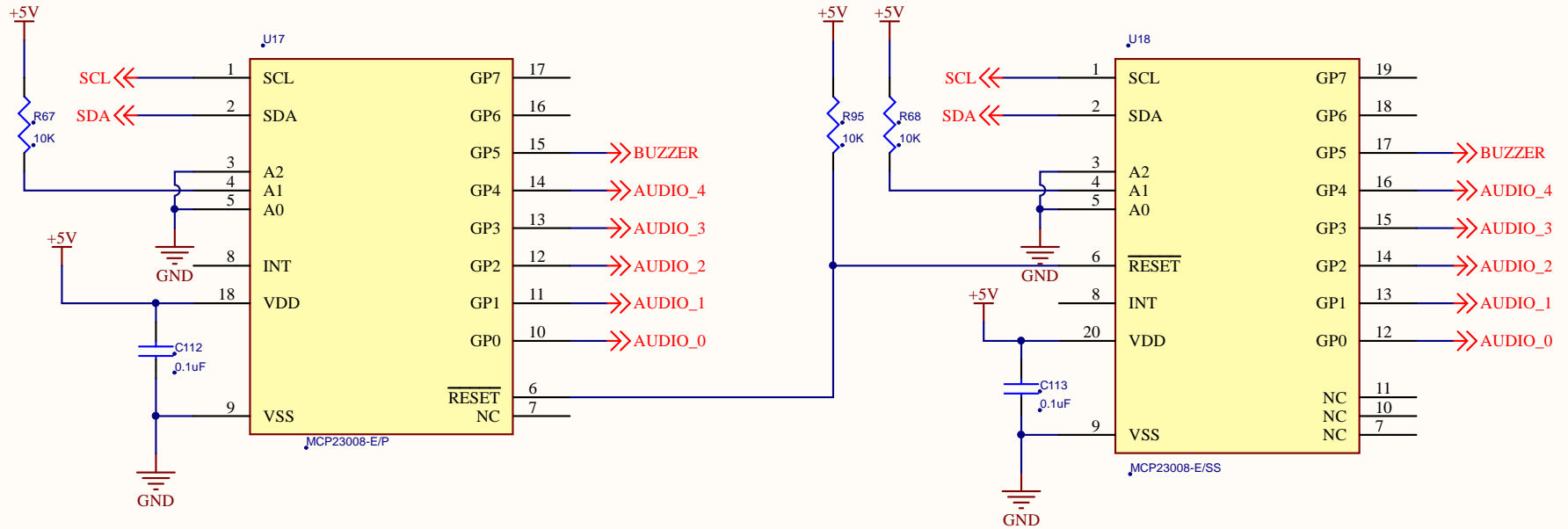


RTC



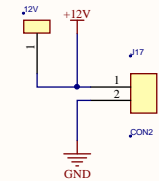
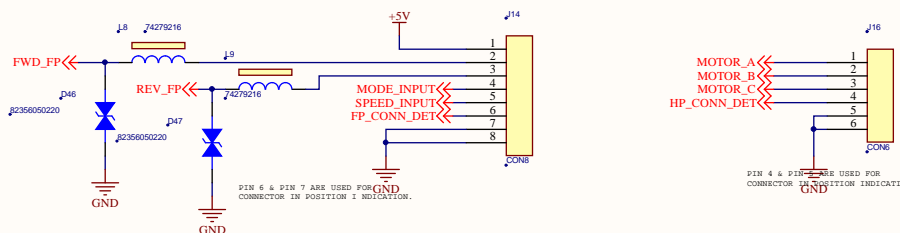
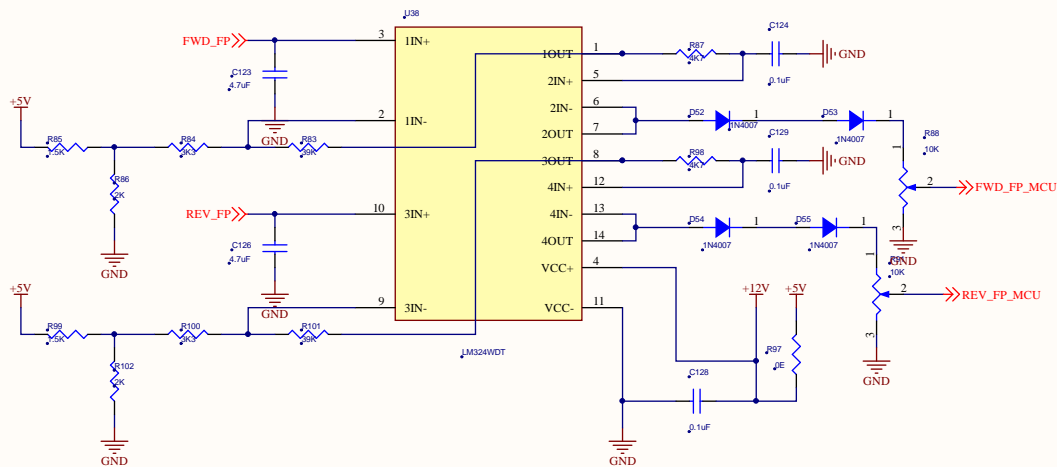
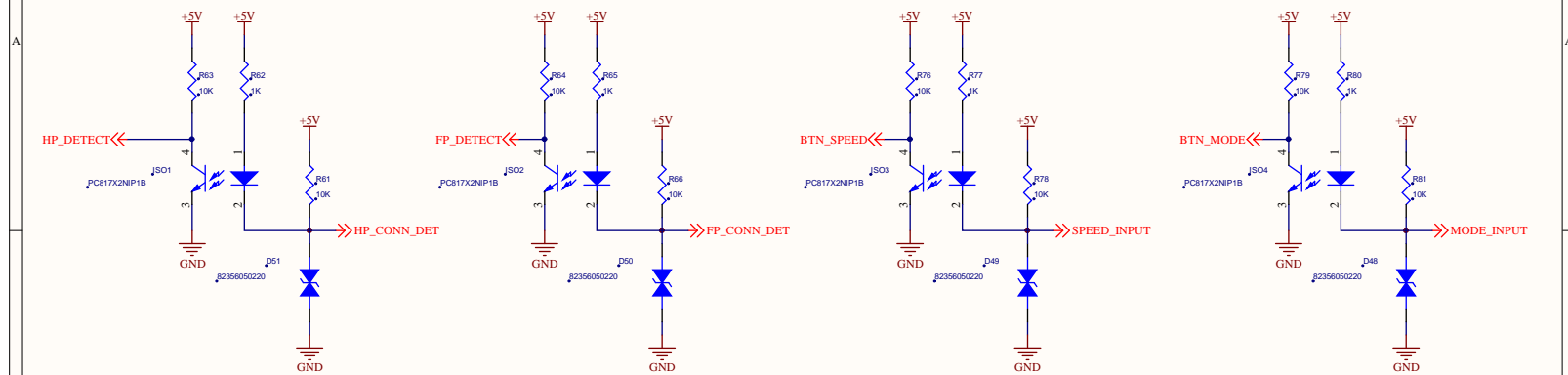
<h1>COMPRESSED IMAGE</h1>		OFFICE : PLOT NO 10, LANE NO 3 TUKAI DARSHAN, SASWAD ROAD, HADAPSAR, PUNE - 412308 MAHARASHTRA, INDIA	
		Project : ARTHRO	
Size	Document Name :	ARTHRO_CARRIER_V1.0	
A	Sheet Title :	EEPROM & RTC	
Date:	Sheet	7	of 15

I/O EXPANDER

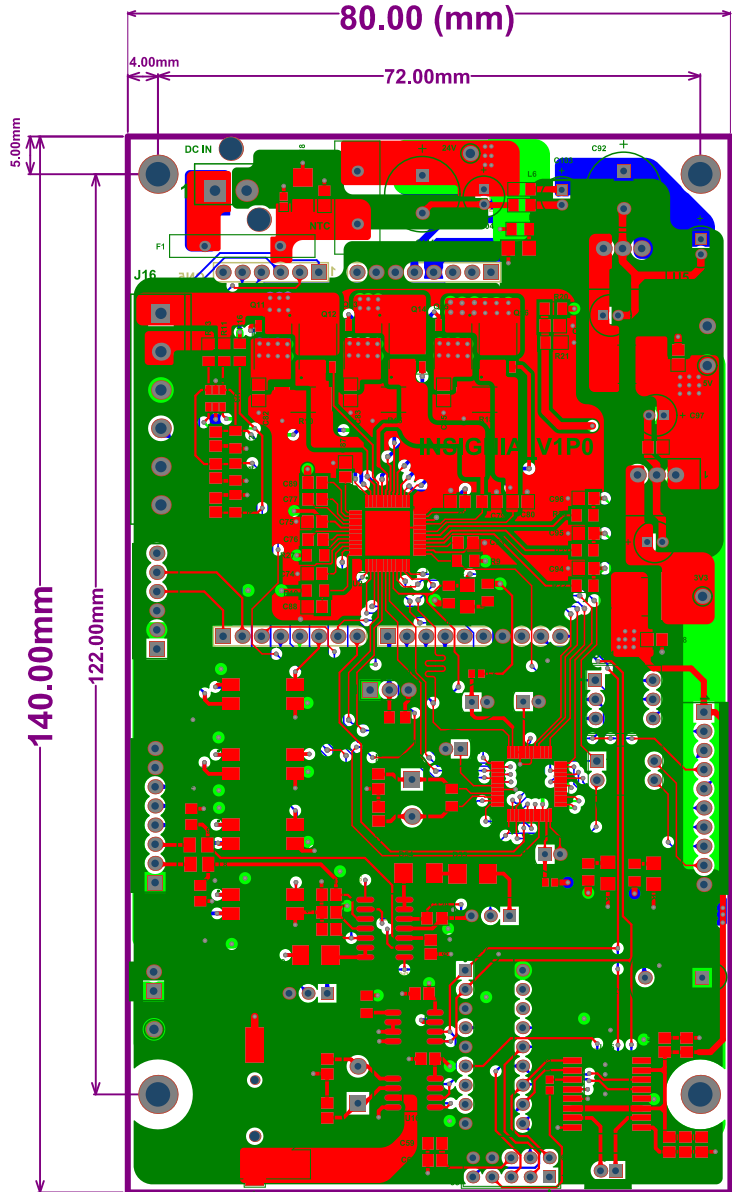


<h2>COMPRESSED IMAGE</h2>		OFFICE :PLOT NO 10,LANE NO 3 TUKAI DARSHAN, SASWAD ROAD, HADAPSAR,PUNE - 412308 MAHARASHTRA, INDIA	
		Project : ARTHRO	
Size	Document Name : ARTHRO_CARRIER_V1.0		Rev
A	Sheet Title : I/O EXPANDER		1.0
Date:	Sheet 8 of 15		

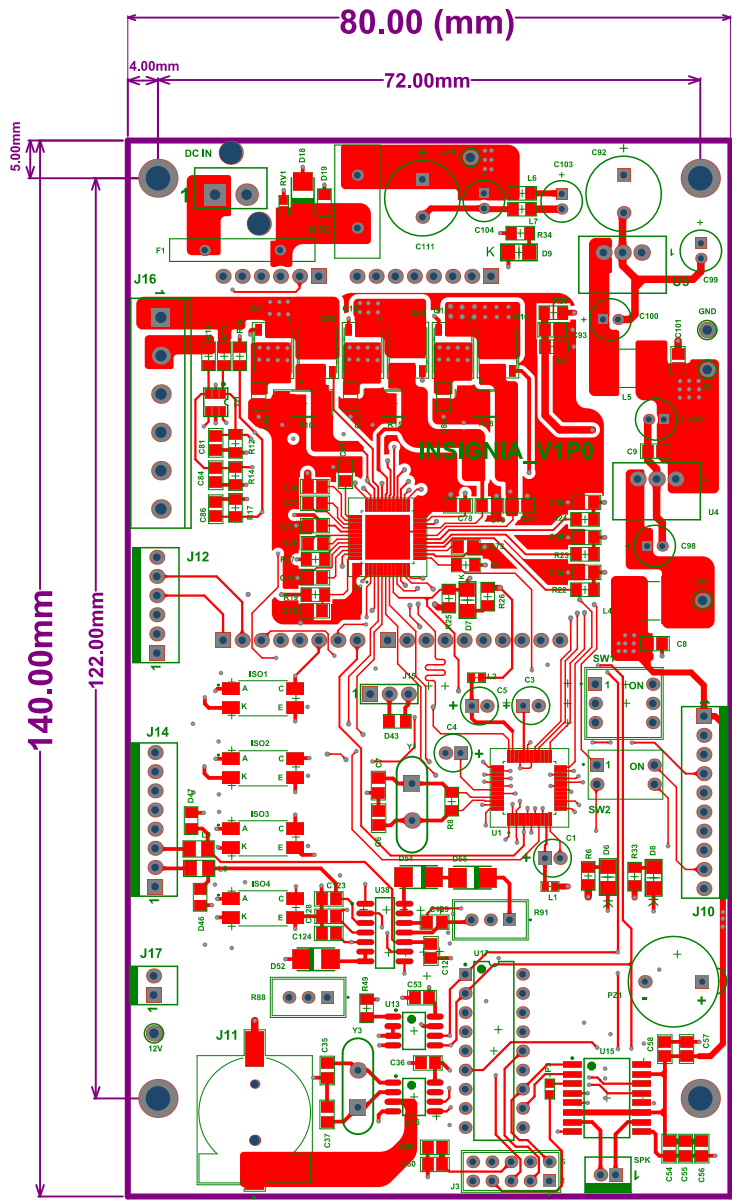
FOOTPEDAL & HANDPIECE



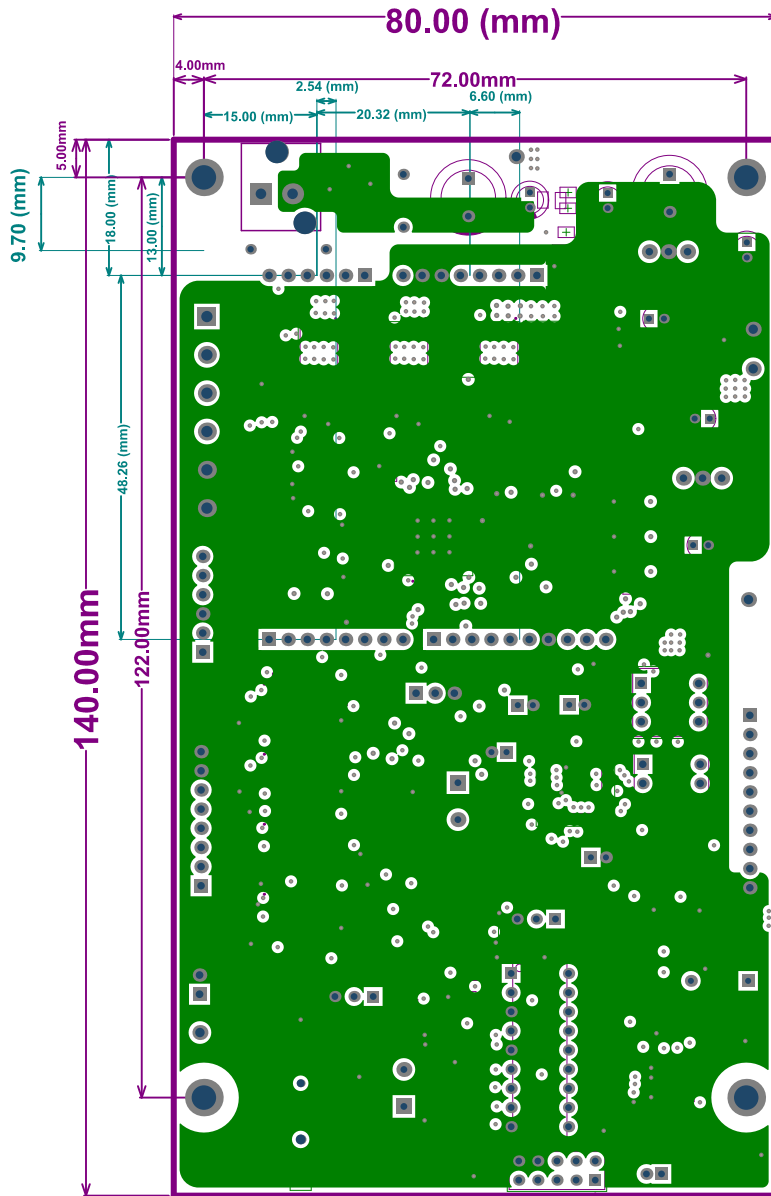
<h2>COMPRESSED IMAGE</h2>		OFFICE : PLOT NO 10, LANE NO 3, TUKA DARSIMH, SASIVAD ROAD, HADAPSAR, PUNE - 412308 MAHARASHTRA, INDIA	
		Project : ARTHRO	
Size	Document Name : ARTHRO_CARRIER_V1.0		Rev
A	Sheet Title : FOOTPEDAL & HANDPIECE		1.0
Date:	Sheet	3	of 15



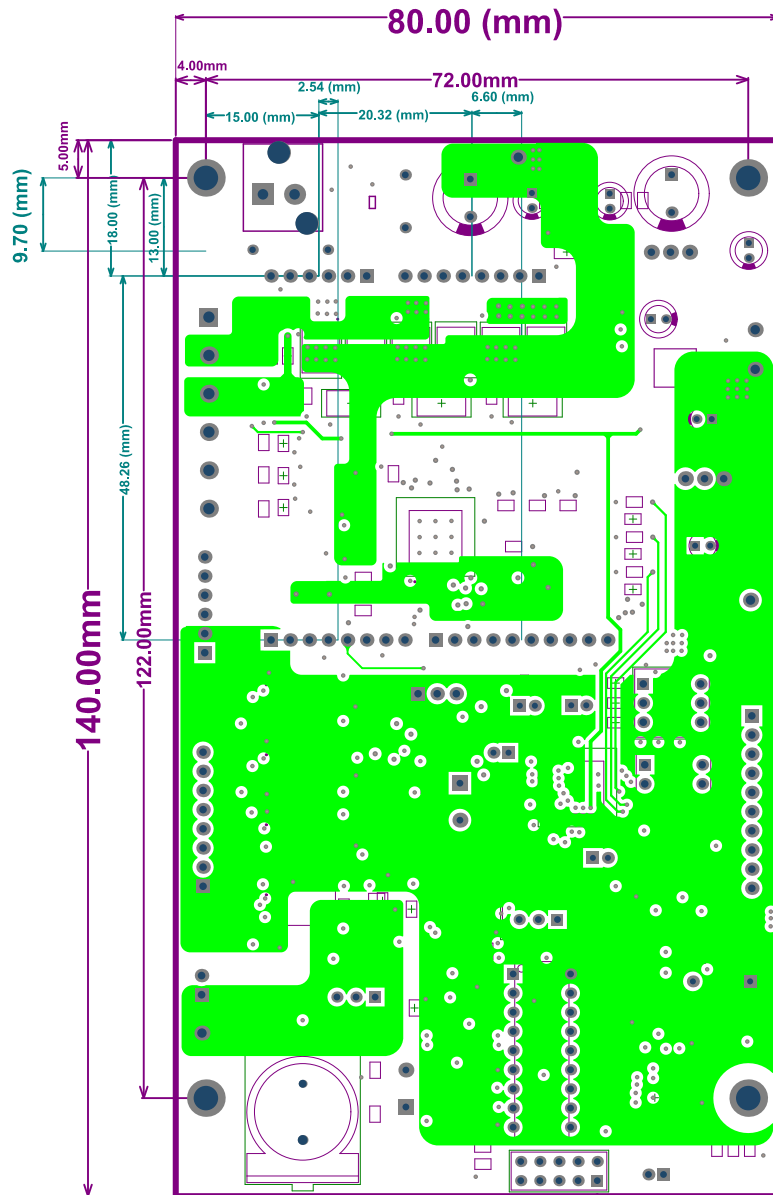
Top Layer
 GND
 PWR
 Bottom Layer



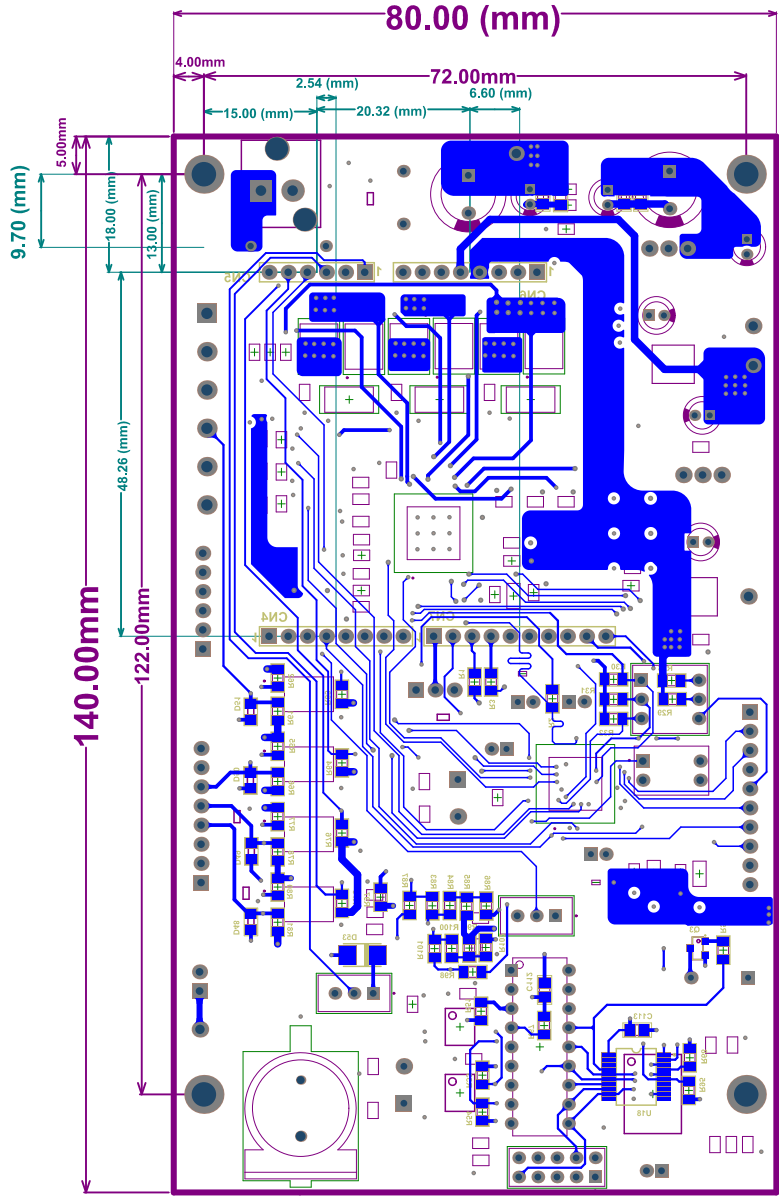
Top Layer



GND



PWR



Bottom Layer

