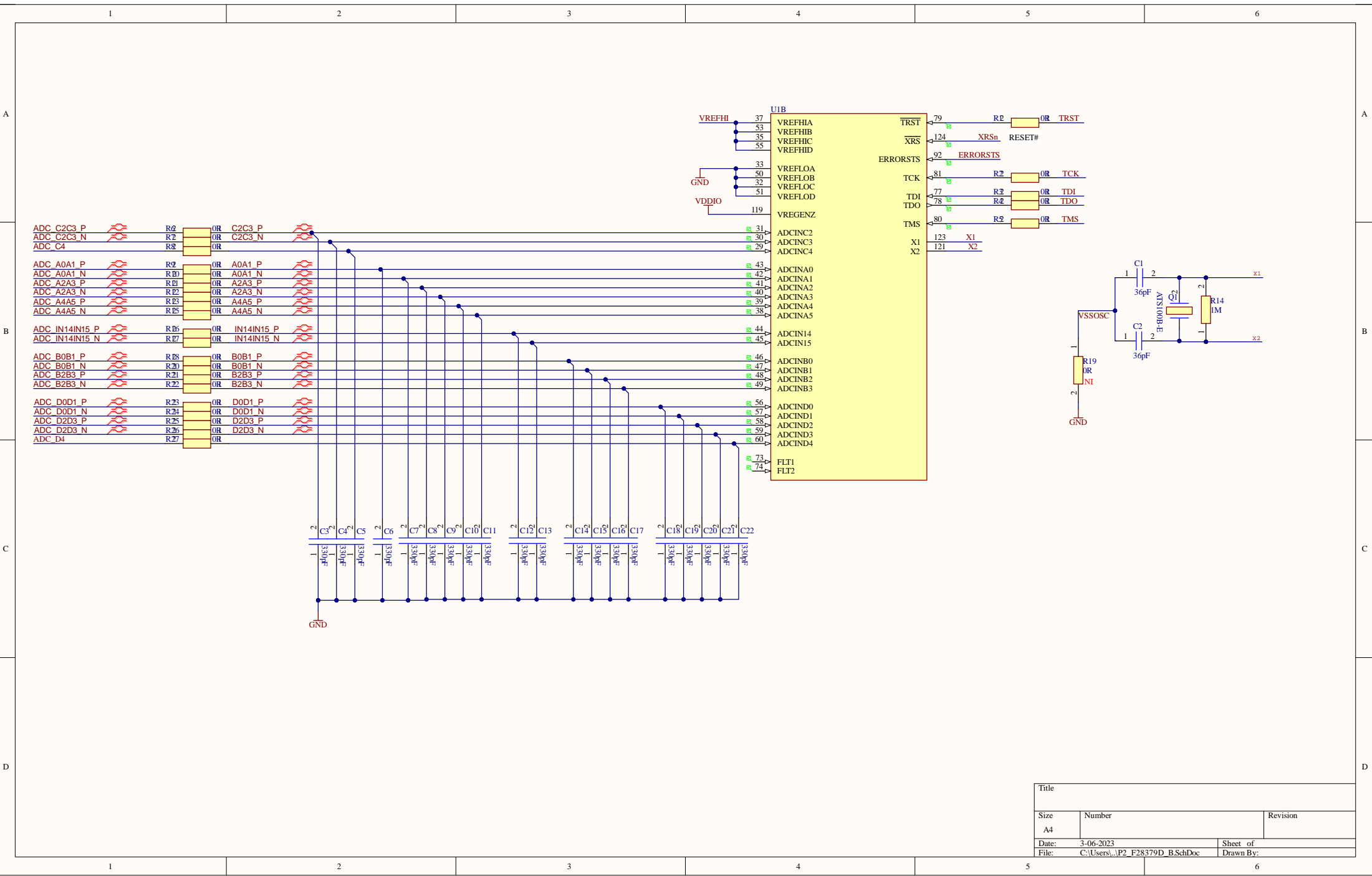
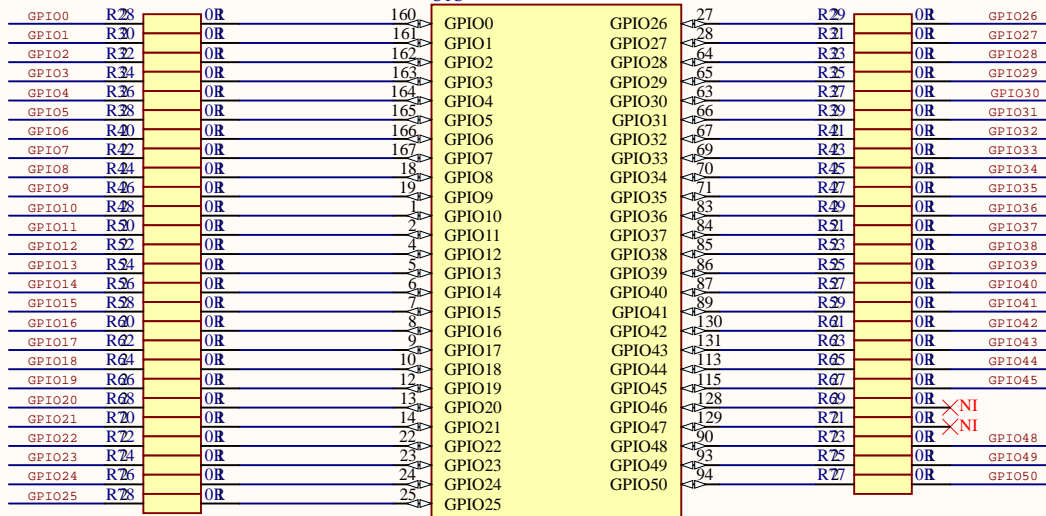


Title		
Size	Number	Revision
A4		
Date:	3-06-2023	Sheet of
File:	C:\Users\...PI_F28379D_A.SchDoc	Drawn By:

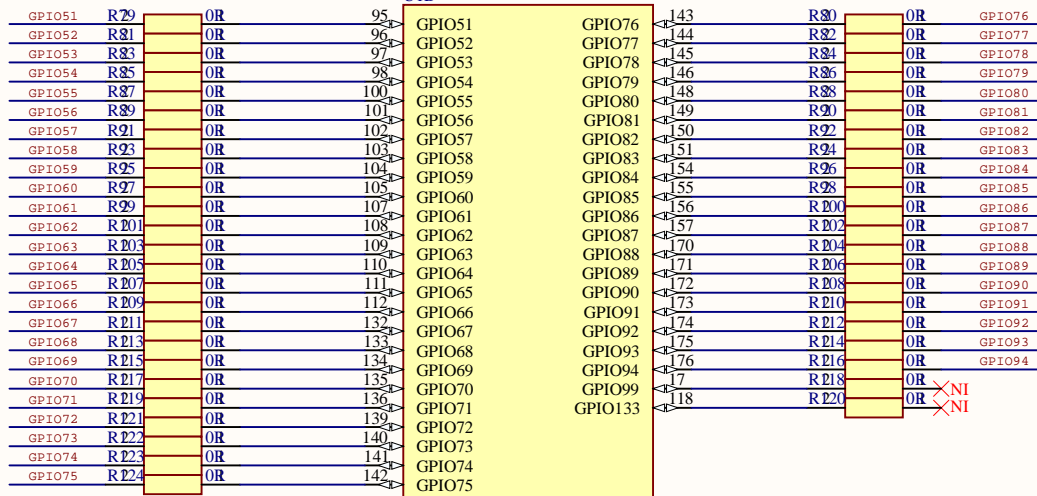


Title		
Size	Number	Revision
A4		
Date:	3-06-2023	Sheet of
File:	C:\Users\...\P2_F28379D_B.SchDoc	Drawn By:

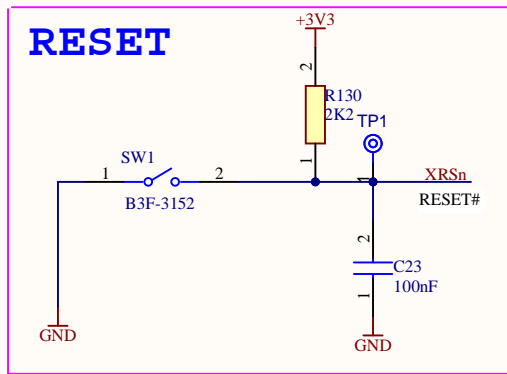
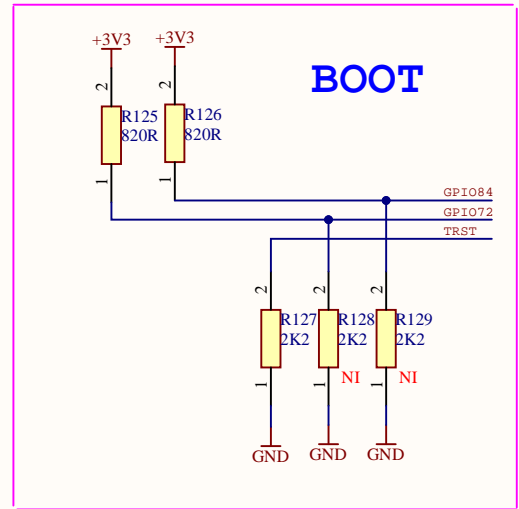
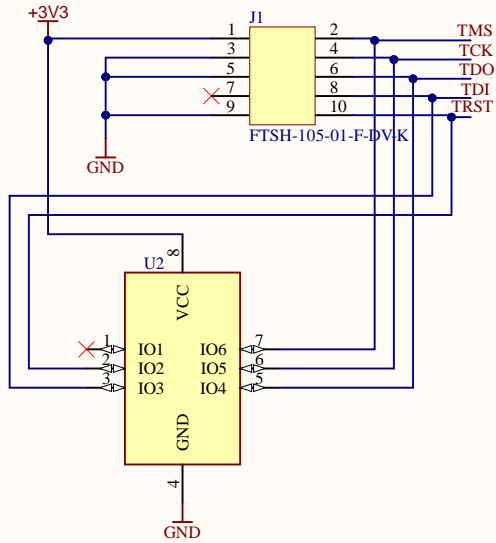
UIC



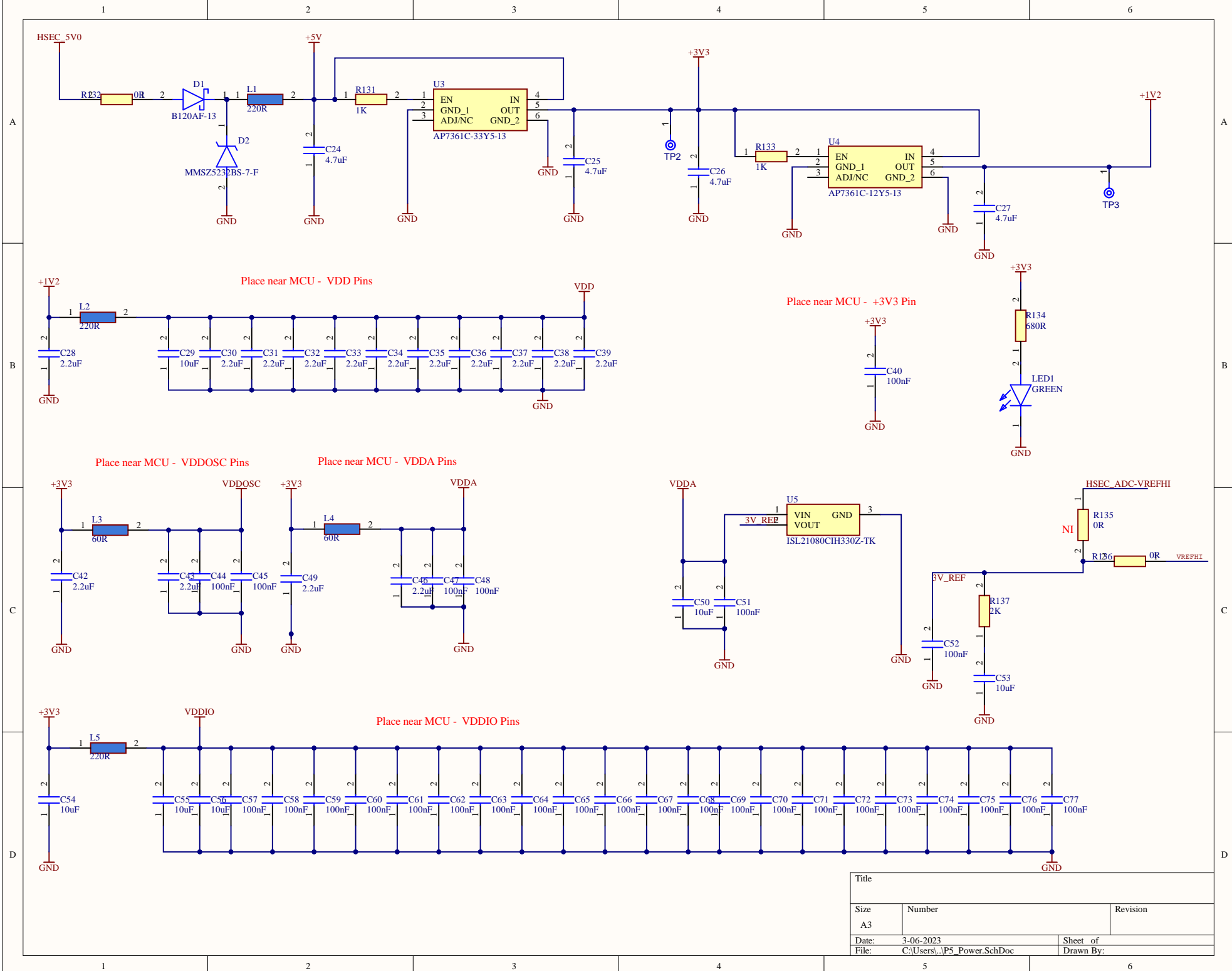
UID



Title		
Size	Number	Revision
A4		
Date:	3-06-2023	Sheet of
File:	C:\Users\...\P3_F28379D_C_D.SchDoc	Drawn By:



Title		
Size	Number	Revision
A4		
Date:	3-06-2023	Sheet of
File:	C:\Users\...\P4_boot_reset_debug.SchDoc	Drawn By:



Title		
Size	Number	Revision
A3		
Date:	3-06-2023	Sheet of
File:	C:\Users\..._P5_Power.SchDoc	Drawn By:

GPIO71 1 TP4
 TMS 1 TP5
 TCK 1 TP6

ADC_A0A1_P 1 TP7
 ADC_A0A1_N 1 TP8

ADC_A2A3_P 1 TP9
 ADC_A2A3_N 1 TP10

ADC_A4A5_P 1 TP11
 ADC_A4A5_N 1 TP12
 ADC_IN14IN15_P 1 TP13
 ADC_IN14IN15_N 1 TP14

ADC_C2C3_P 1 TP15
 ADC_C2C3_N 1 TP16

ADC_C4 1 TP17

HSEC_ADC-VREFHI 1 TP18

GPIO0 1 TP19
 GPIO1 1 TP20
 GPIO2 1 TP21
 GPIO3 1 TP22

GPIO8 1 TP23
 GPIO9 1 TP24
 GPIO10 1 TP25
 GPIO11 1 TP26

GPIO16 1 TP27
 GPIO17 1 TP28
 GPIO18 1 TP29
 GPIO19 1 TP30
 GPIO24 1 TP31
 GPIO25 1 TP32
 GPIO26 1 TP33
 GPIO27 1 TP34

GPIO32 1 TP35
 GPIO33 1 TP36
 GPIO40 1 TP37
 GPIO41 1 TP38
 GPIO42 1 TP39
 GPIO43 1 TP40

GPIO48 1 TP41
 GPIO49 1 TP42
 GPIO50 1 TP43
 GPIO51 1 TP44
 GPIO52 1 TP45
 GPIO53 1 TP46

VDDIO 1 TP47

TP85 1 GPIO70
 TP86 1 TRST
 TP87 1 TDO
 TP88 1 TDI

TP60 1 ADC_B0B1_P
 TP61 1 ADC_B0B1_N

TP62 1 ADC_B2B3_P
 TP63 1 ADC_B2B3_N

TP64 1 ADC_D0D1_P
 TP65 1 ADC_D0D1_N

TP66 1 ADC_D2D3_P
 TP67 1 ADC_D2D3_N

TP68 1 ADC_D4

TP69 1 GPIO4
 TP70 1 GPIO5
 TP71 1 GPIO6
 TP72 1 GPIO7

TP73 1 GPIO12
 TP74 1 GPIO13
 TP75 1 GPIO14
 TP76 1 GPIO15

TP77 1 GPIO20
 TP78 1 GPIO21
 TP79 1 GPIO22
 TP80 1 GPIO23
 TP81 1 GPIO28
 TP82 1 GPIO29
 TP83 1 GPIO30
 TP84 1 GPIO31

TP48 1 GPIO34
 TP49 1 GPIO39
 TP50 1 GPIO44
 TP51 1 GPIO45

TP52 1 GPIO54
 TP53 1 GPIO55
 TP54 1 GPIO56
 TP55 1 GPIO57
 TP56 1 GPIO58
 TP57 1 GPIO59

TP58 1 VDD
 TP59 1 XRSn

GPIO35 1 TP89
 GPIO37 1 TP90
 GPIO60 1 TP91
 GPIO62 1 TP92
 GPIO64 1 TP93
 GPIO66 1 TP94
 GPIO68 1 TP95

GPIO70 1 TP96
 GPIO72 1 TP97
 GPIO74 1 TP98
 GPIO76 1 TP99
 GPIO78 1 TP100
 GPIO80 1 TP101
 GPIO82 1 TP102
 GPIO84 1 TP103
 GPIO86 1 TP104
 GPIO88 1 TP105

GPIO90 1 TP106
 GPIO92 1 TP107
 GPIO94 1 TP108

GND 1 TP109

TP110 1 GPIO36
 TP111 1 GPIO38
 TP112 1 GPIO61
 TP113 1 GPIO63
 TP114 1 GPIO65
 TP115 1 GPIO67
 TP116 1 GPIO69

TP117 1 GPIO71
 TP118 1 GPIO73
 TP119 1 GPIO75
 TP120 1 GPIO77
 TP121 1 GPIO79
 TP122 1 GPIO81
 TP123 1 GPIO83
 TP124 1 GPIO85
 TP125 1 GPIO87
 TP126 1 GPIO89

TP127 1 GPIO91
 TP128 1 GPIO93

TP129 1 ERRORSTS
 TP130 1 HSEC_5V0

Title		
Size A4	Number	Revision
Date: 3-06-2023	Sheet of	
File: C:\Users\...\P7_testpoints.SchDoc	Drawn By:	

Board Stack Report