

Playback CCM Transformer

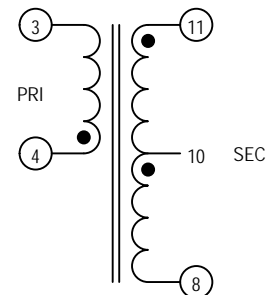
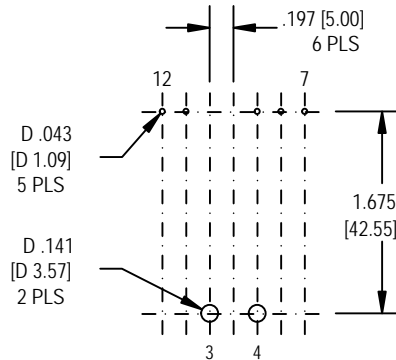
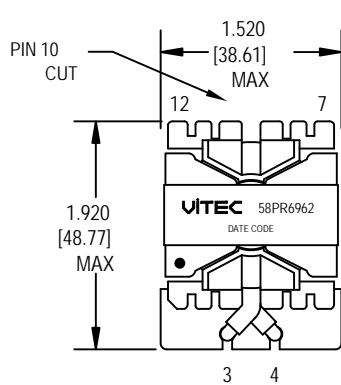
58PR6962

FEATURES

- Designed to work with Texas Instruments C2000 Microcontrollers.
- Operating Temperature: -40°C to 125°C
- Manufactured with UL Recognized Materials for 130°C (B) Temperature Class.
- Materials meet flammability requirements for UL94V-0.
- Creepage distance: 9 mm minimum.
- Clearance distance: 9 mm minimum.
- RoHS Compliant Component.

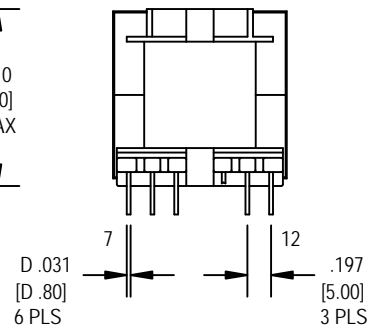
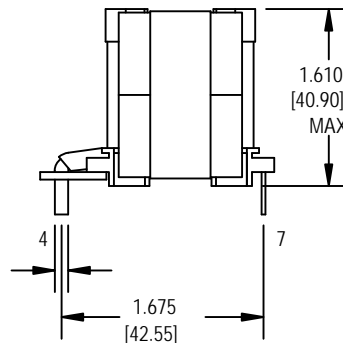
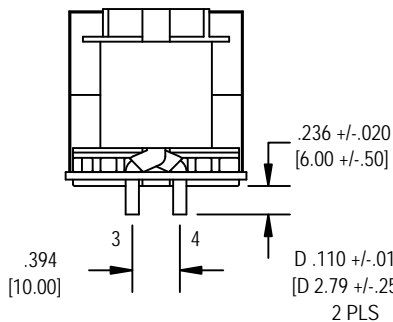


MECHANICAL



SUGGESTED PCB LAYOUT

SCHEMATIC



ALL DIMENSIONS GIVEN IN INCHES [MILLIMETERS].
 TOLERANCES UNLESS OTHERWISE SPECIFIED:
 LINEAR RANGE: TOLERANCE
 0-DIM<500[12.70] +/- .004 [+/- .10]
 500[12.70]<=DIM<1.000[25.40] +/- .008 [+/- .20]
 1.000[25.40]<=DIM<2.000[50.80] +/- .012 [+/- .30]
 2.000[50.80]<=DIM<3.000[76.20] +/- .016 [+/- .40]
 ANGULAR: +/- 1°

ELECTRICAL SPECIFICATIONS @ 25°C

URNS RATIO: AT 100 KHz, 1 VRMS
 (11-8) : (4-3) = 5.400 : 1 = 5.400 +/-1% (5.346-5.454)

OCL: AT 100 KHz, 0.100 VRMS
 (4-3) = 20 +/-10% uH (18-22 uH)

LL: AT 100 KHz, 1 VRMS
 (4-3) = 0.1 uH MAX., SHORT (11-8)
 (11-8) = 4 uH MAX., SHORT (4-3)

DCR:
 (4-3) = 0.010 OHMS MAX.
 (11-8) = 0.200 OHMS MAX.

HIPOT: 50/60 Hz, 2 SECONDS MINIMUM
 (3,4) TO (8,11) : 3000 VRMS
 (3,4,8,11) TO (CORE) : 2000 VRMS

This drawing is the property of Vitec Electronics Corporation. It is not a controlled document. Therefore it is subject to change without prior notice. Its intended use is to supply component information only. Duplication of all or any part of this drawing is prohibited.

REF: AF5636

FILE NAME: 58PR6962_072213



6213 El Camino Real, Carlsbad, CA 92009
 TEL: (760) 918-8831 FAX: (760) 918-8840
<http://www.VitecCorp.com>