

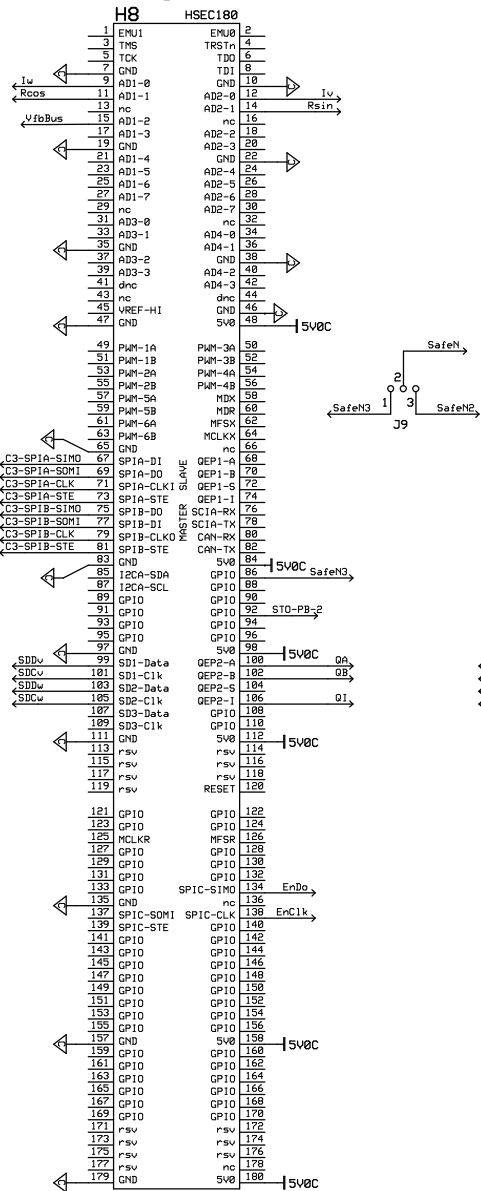
Rev History:

R2.1 ----> R2.2

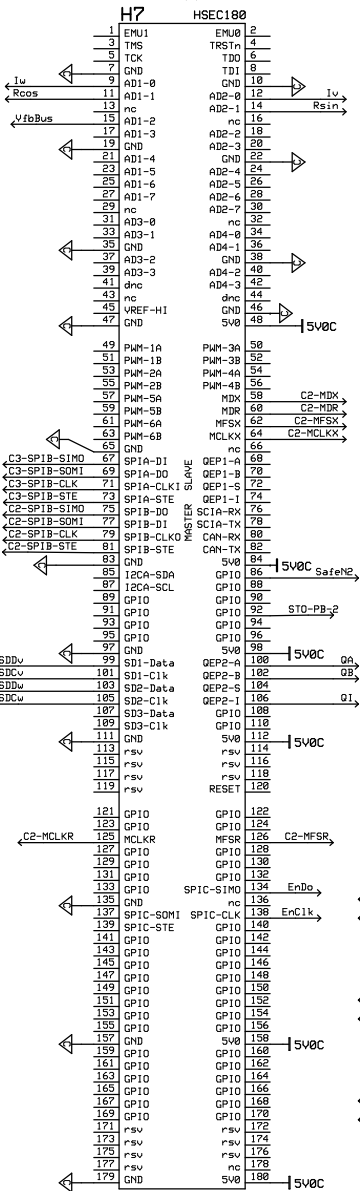
Encoder Header H3, H4 and H6 pins reassigned

5V-Enc from [EnDat/Biss] connected to [SinCos] also

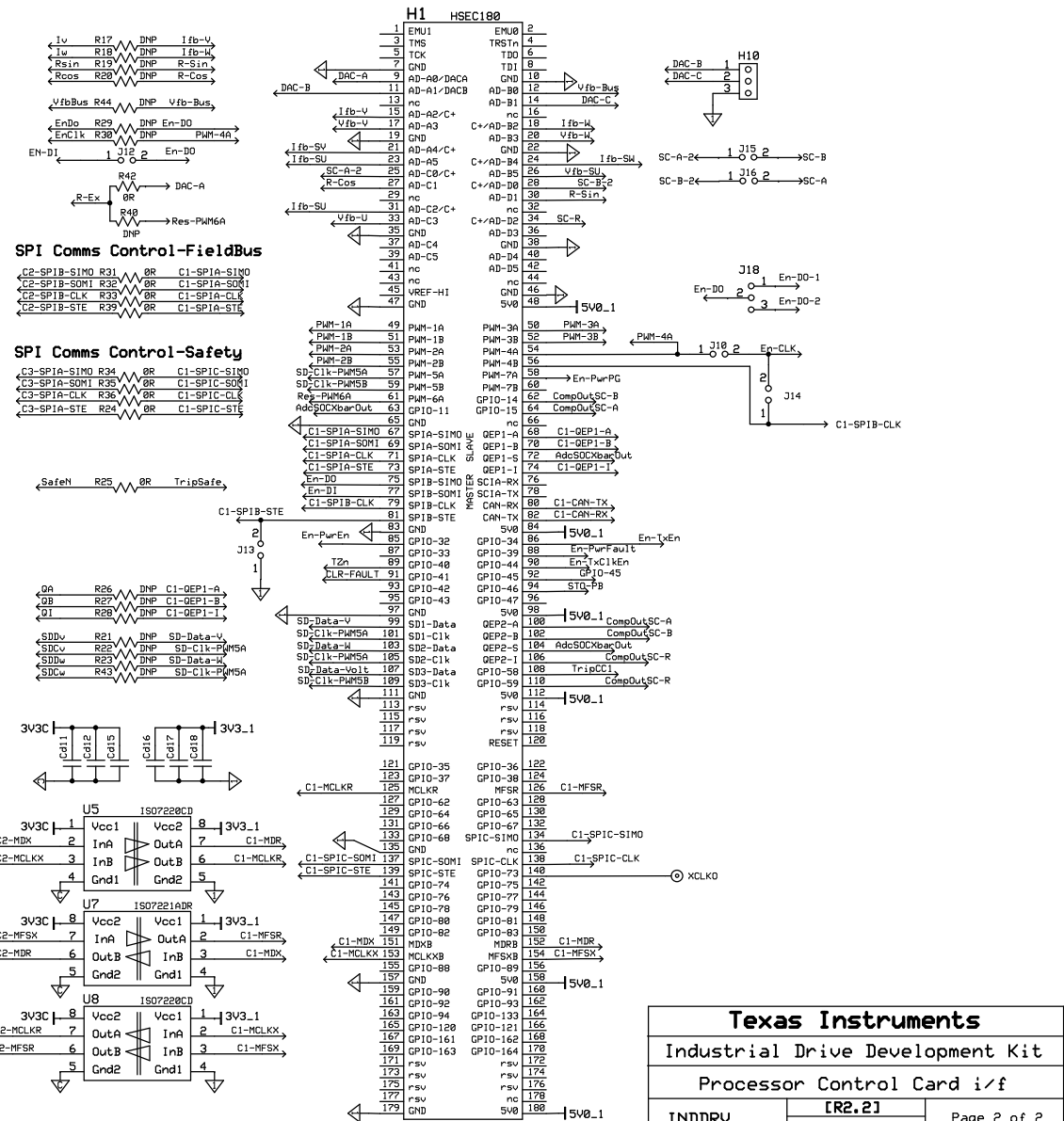
**Control Card #3 (C3)  
Safety Module**

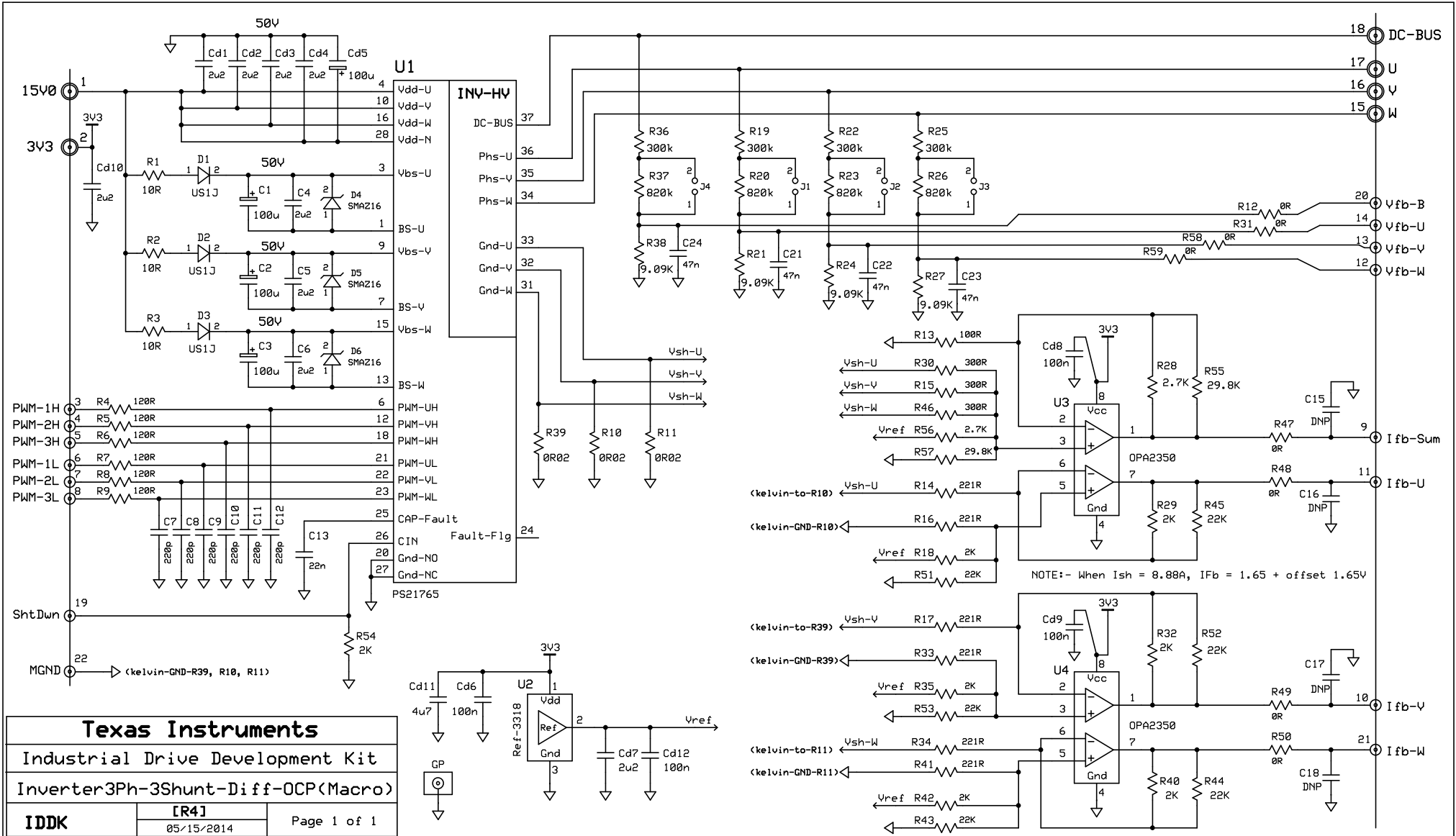


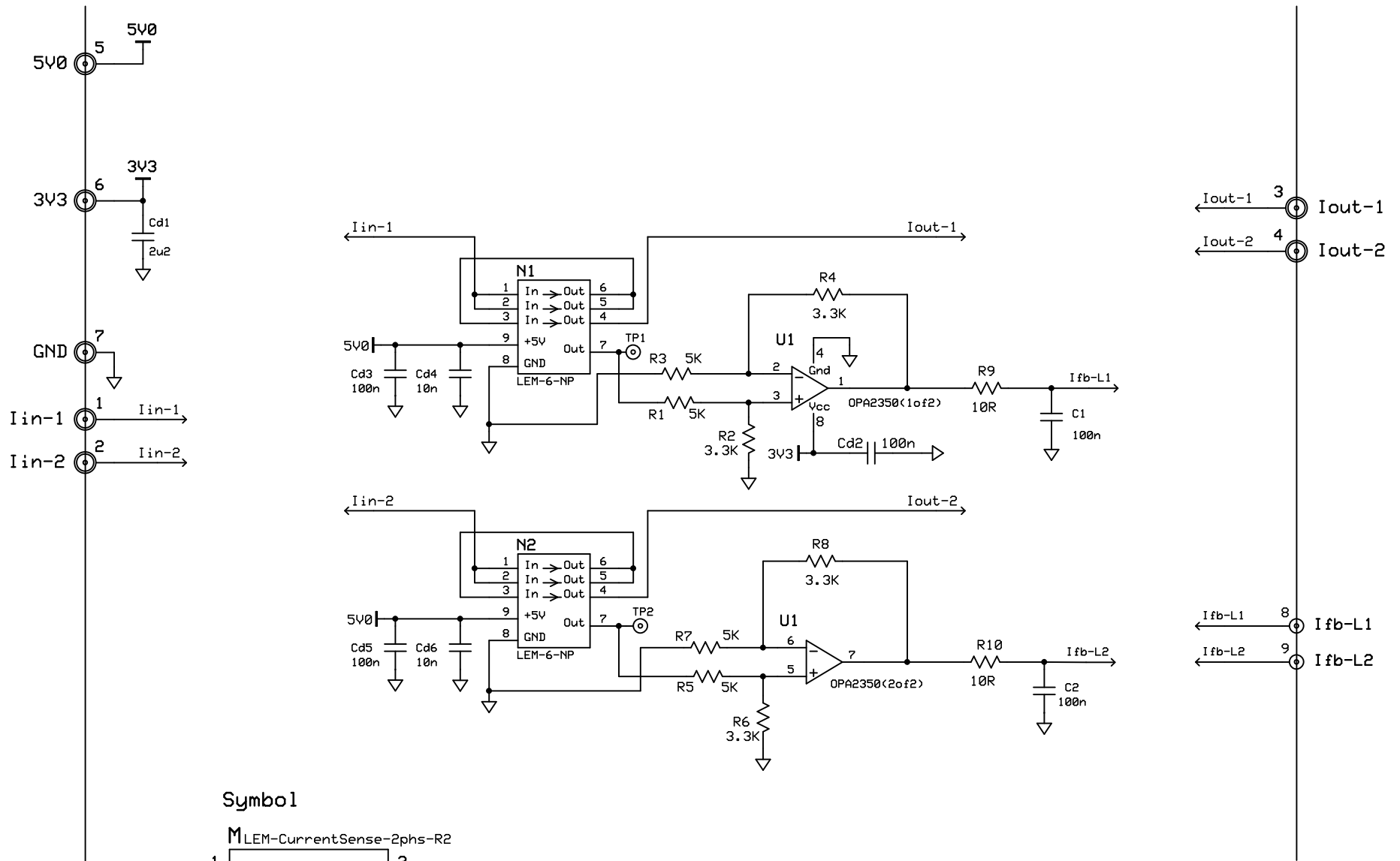
**Control Card #2 (C2)  
FieldBus + Applications**



**Control Card #1 (C1)  
Control**





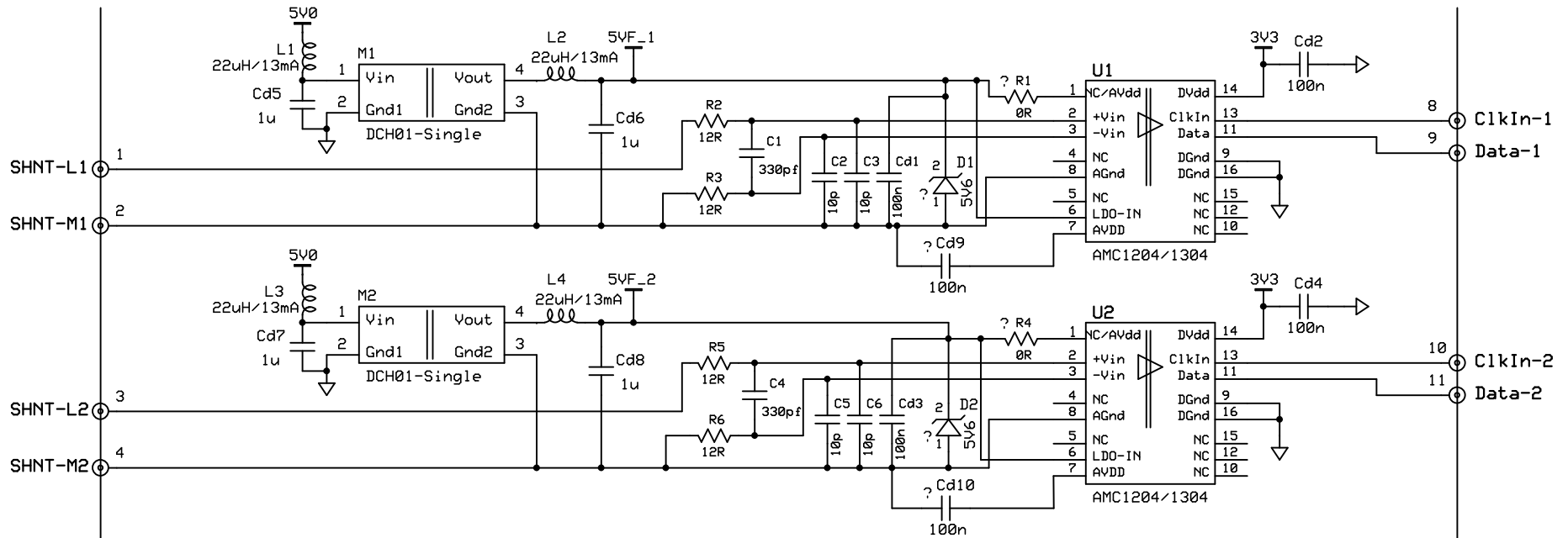


**Symbol**

MLEM-CurrentSense-2phs-R2

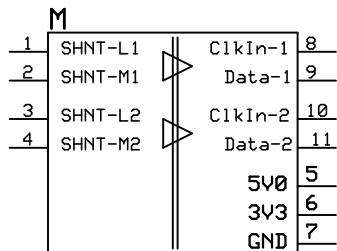
|       |       |         |   |
|-------|-------|---------|---|
| 1     | Iin-1 | Iout-1  | 3 |
| 2     | Iin-2 | Iout-2  | 4 |
| <hr/> |       |         |   |
| 5     | 5V0   | I fb-L1 | 8 |
| 7     | GND   | I fb-L2 | 9 |
| 6     | 3V3   |         |   |

|                                  |             |             |
|----------------------------------|-------------|-------------|
| <b>Texas Instruments</b>         |             |             |
| Industrial Drive Development Kit |             |             |
| LEM CurrentSense - 2 phase       |             |             |
| <b>IDDK</b>                      | <b>[R1]</b> | Page 1 of 1 |
|                                  | 21/04/2014  |             |

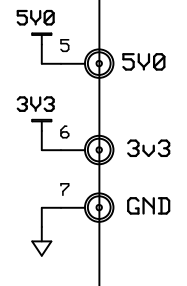


NOTE :-  
 For AMC1204: Cd9,Cd10,D1,D2 are DNP  
 For AMC1304: R1,R4,D1,D2 are DNP

Symbol



SD-CurrentSense-2ph-R3



Texas Instruments

Industrial Drive Development Kit

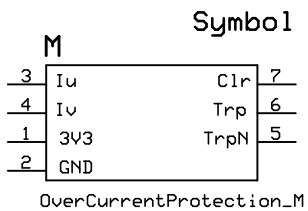
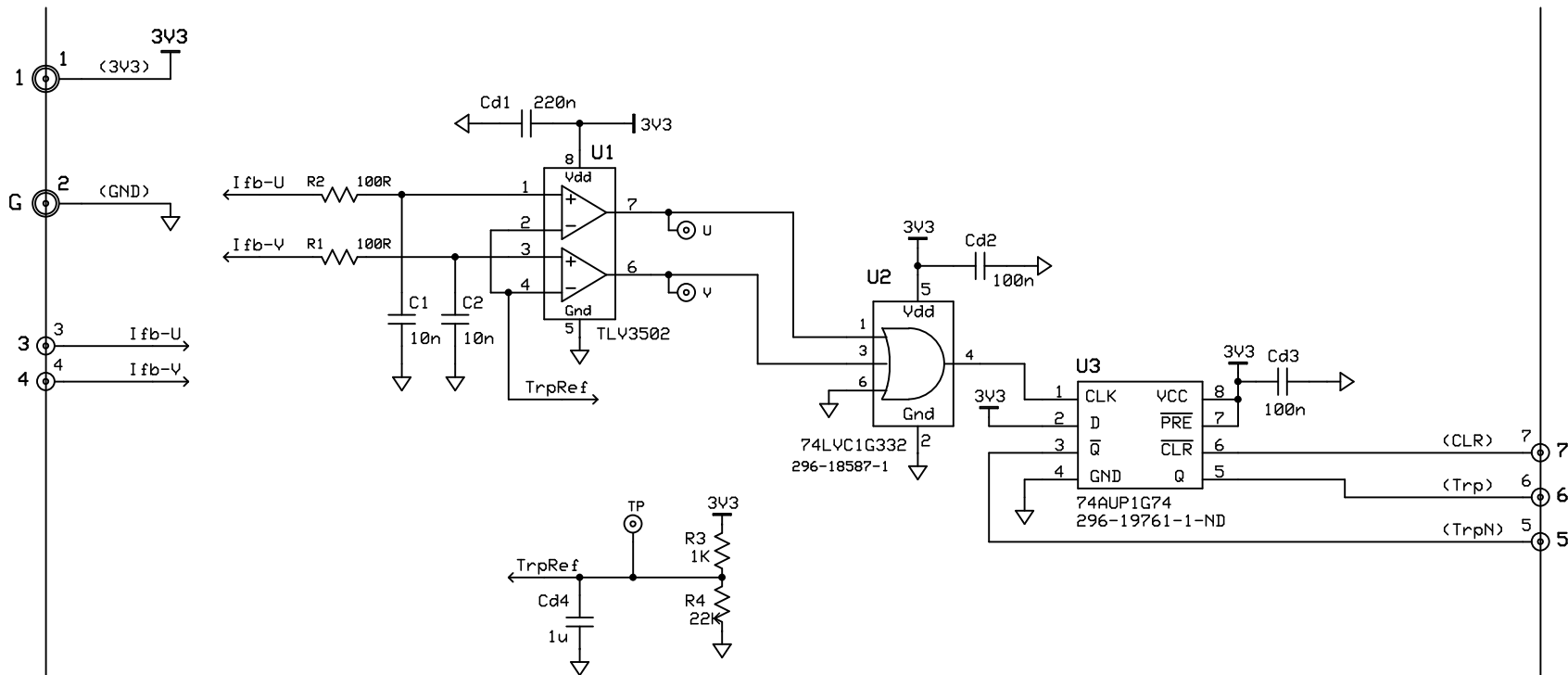
SD Current Sense - 2 phase

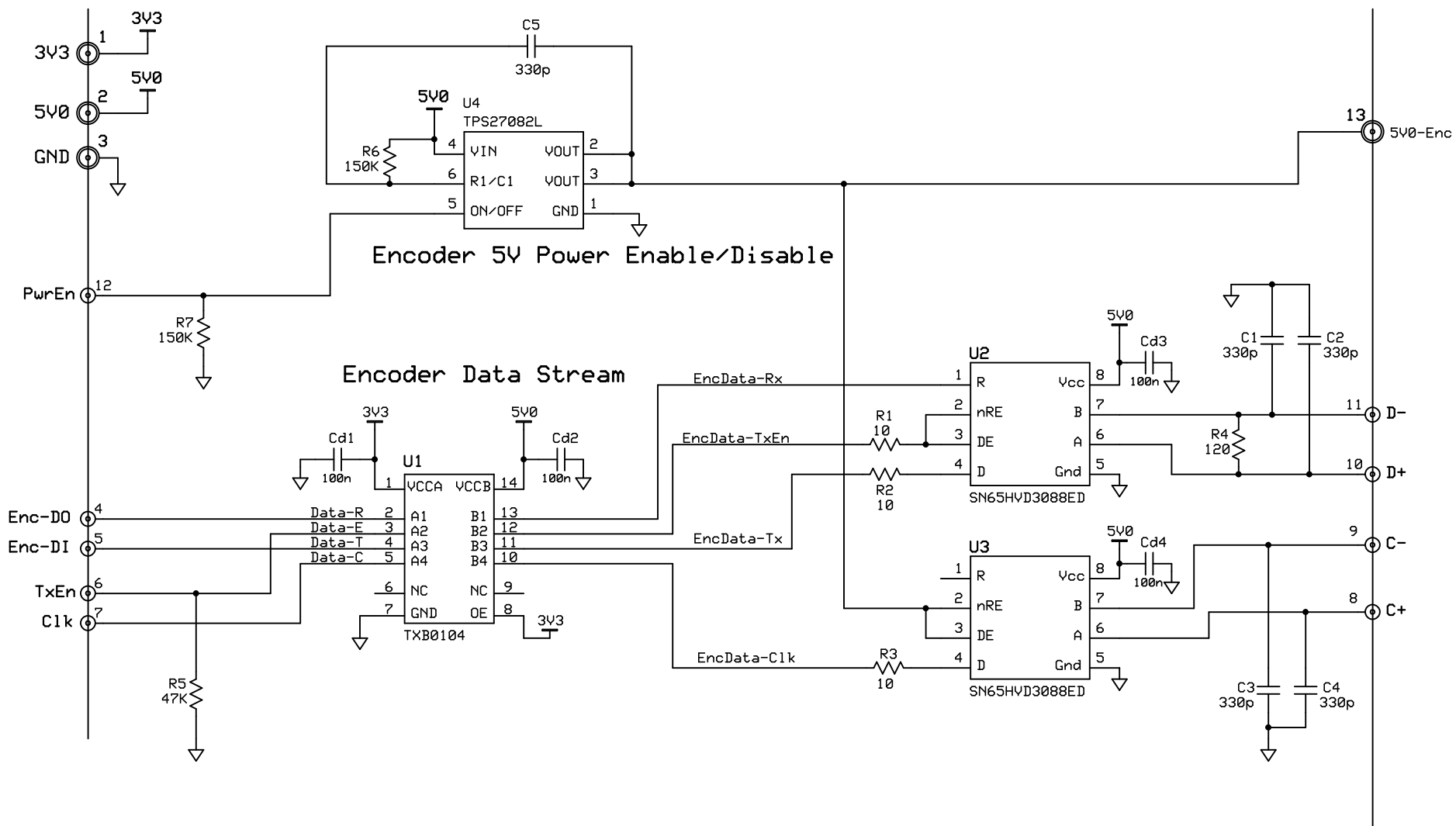
IDDK

[R1]

05/13/2014

Page 1 of 1





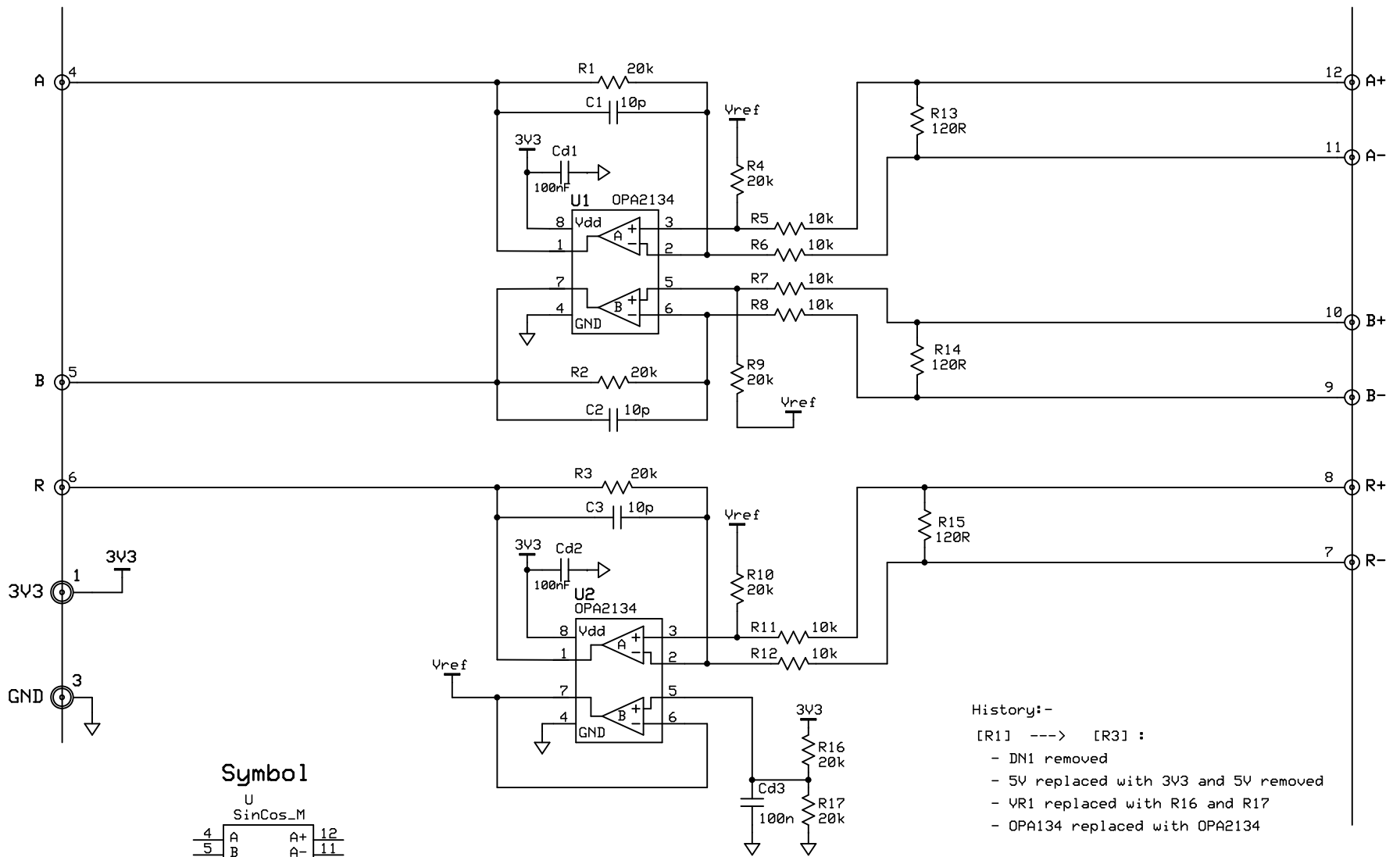
Encoder 5V Power Enable/Disable

Encoder Data Stream

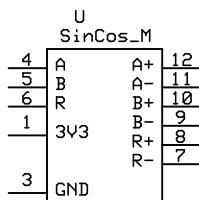
Symbol

| U<br>EnDat-BiSS_M |          |         |    |
|-------------------|----------|---------|----|
| 4                 | Enc-D0   | Data-   | 11 |
| 5                 | Enc-D1   | Data+   | 10 |
| 6                 | Enc-TxEn | Clk-    | 9  |
| 7                 | Enc-Clk  | Clk+    | 8  |
| 12                | EncPwrEn |         |    |
| 1                 | 3V3      | 5V0-Enc | 13 |
| 2                 | 5V0      | GND     | 3  |

|                                  |            |             |
|----------------------------------|------------|-------------|
| <b>Texas Instruments</b>         |            |             |
| Industrial Drive Development Kit |            |             |
| Endat/BiSS Interface             |            |             |
| <b>IDDK</b>                      | [R1]       | Page 1 of 1 |
|                                  | 05/12/2014 |             |



### Symbol



### History:-

[R1] ---> [R3] :

- DN1 removed
- 5V replaced with 3V3 and 5V removed
- VR1 replaced with R16 and R17
- OPA134 replaced with OPA2134

**Texas Instruments**

Industrial Drive Development Kit

SinCos Interface

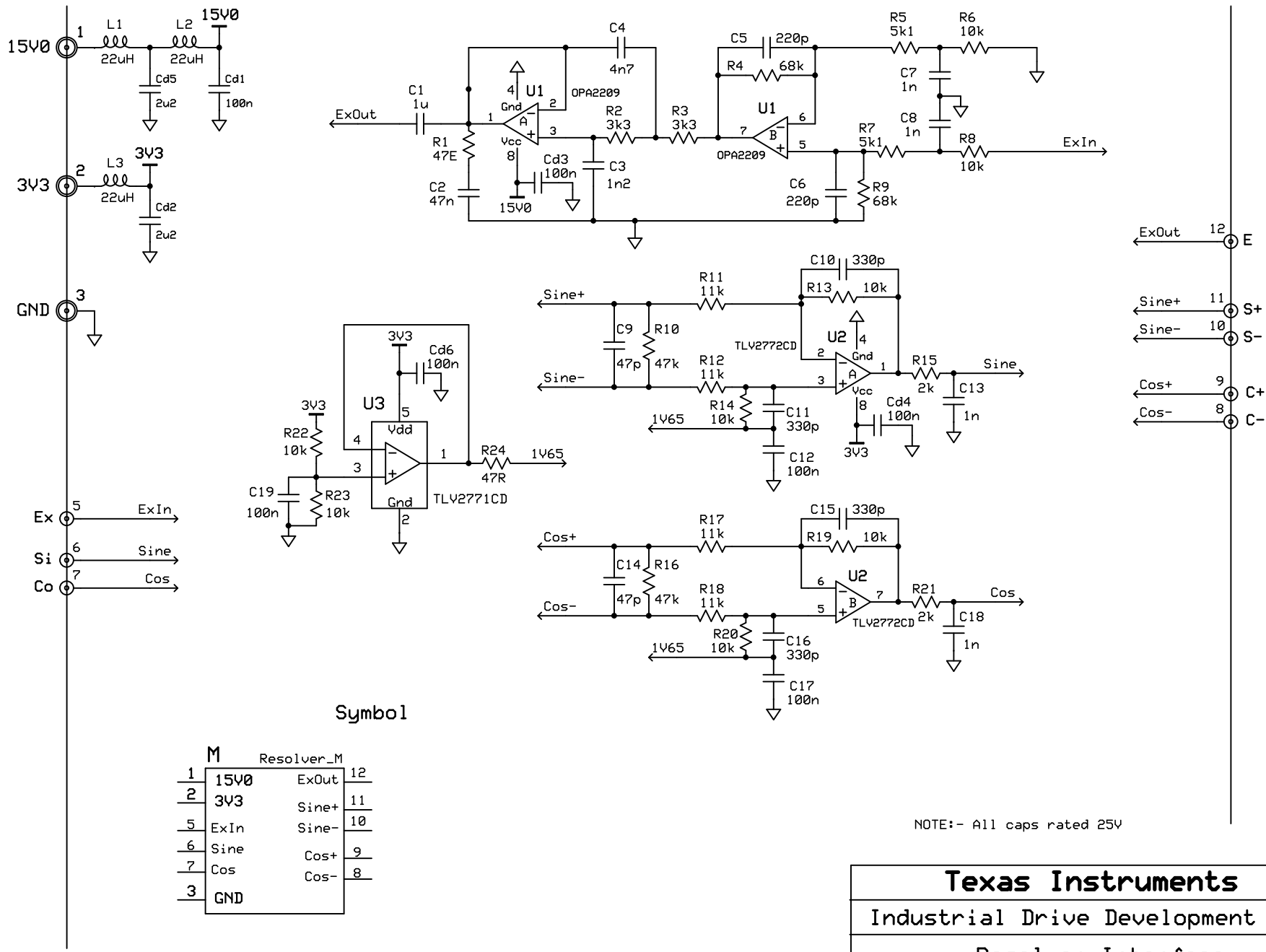
IDDK

[R1]

01/06/2015

Page 1 of 1



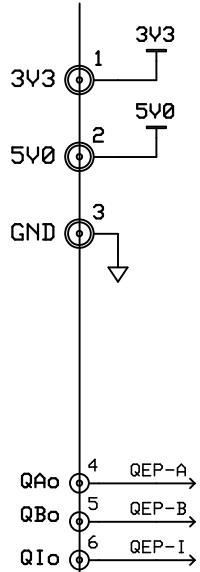


Symbol

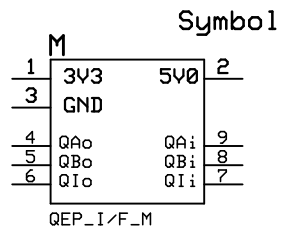
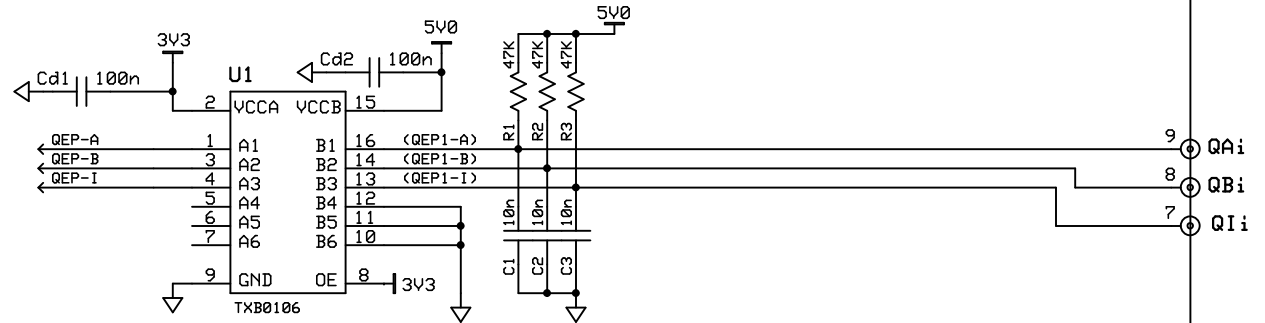
| M | Resolver_M |       |    |
|---|------------|-------|----|
| 1 | 15V0       | ExOut | 12 |
| 2 | 3V3        | Sine+ | 11 |
| 5 | ExIn       | Sine- | 10 |
| 6 | Sine       | Cos+  | 9  |
| 7 | Cos        | Cos-  | 8  |
| 3 | GND        |       |    |

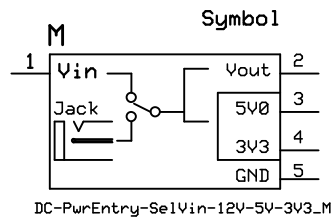
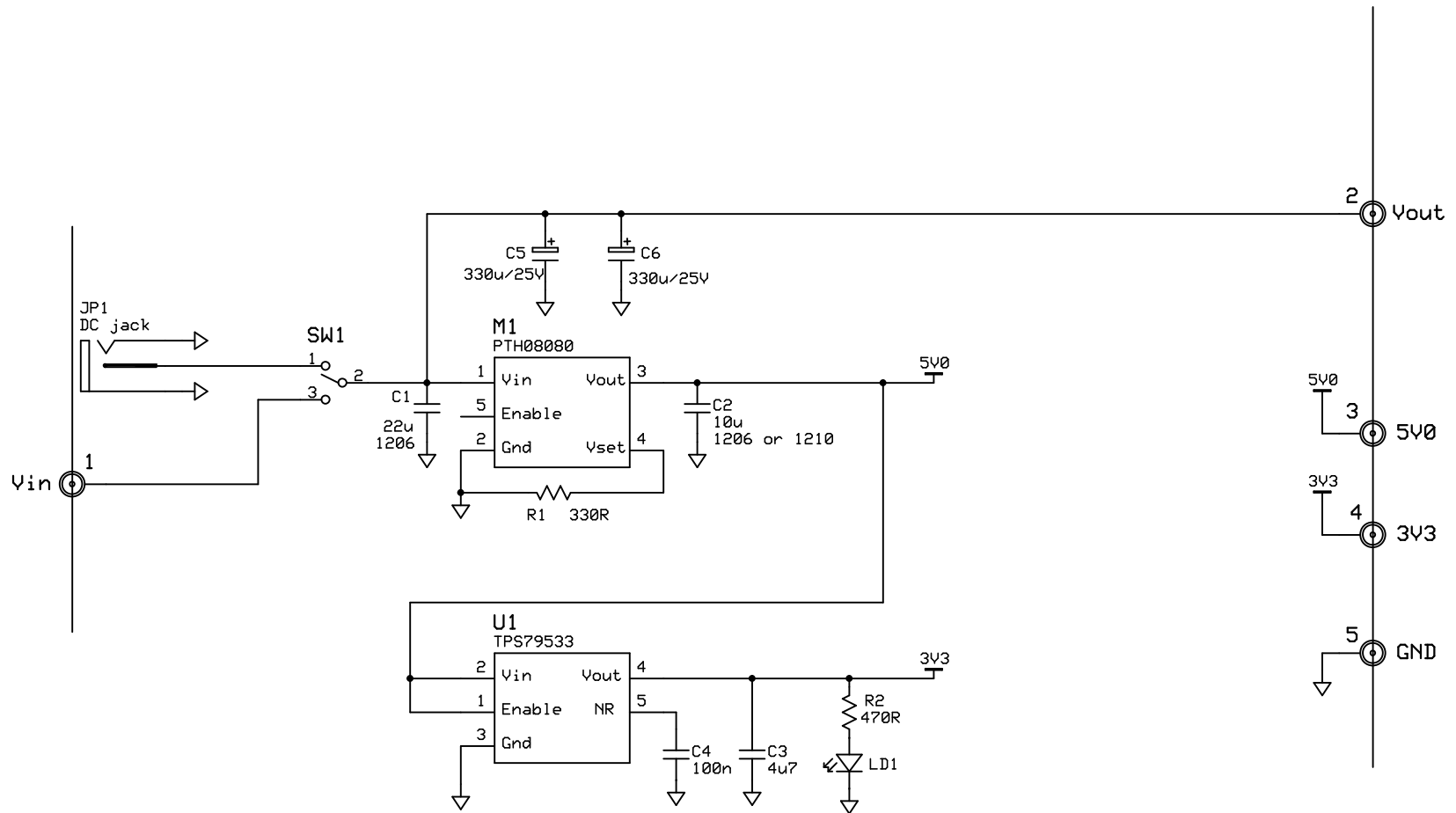
NOTE:- All caps rated 25V

|                                  |             |             |
|----------------------------------|-------------|-------------|
| <b>Texas Instruments</b>         |             |             |
| Industrial Drive Development Kit |             |             |
| Resolver Interface               |             |             |
| <b>IDDK</b>                      | <b>[R1]</b> | Page 1 of 1 |
|                                  | 07/15/2013  |             |

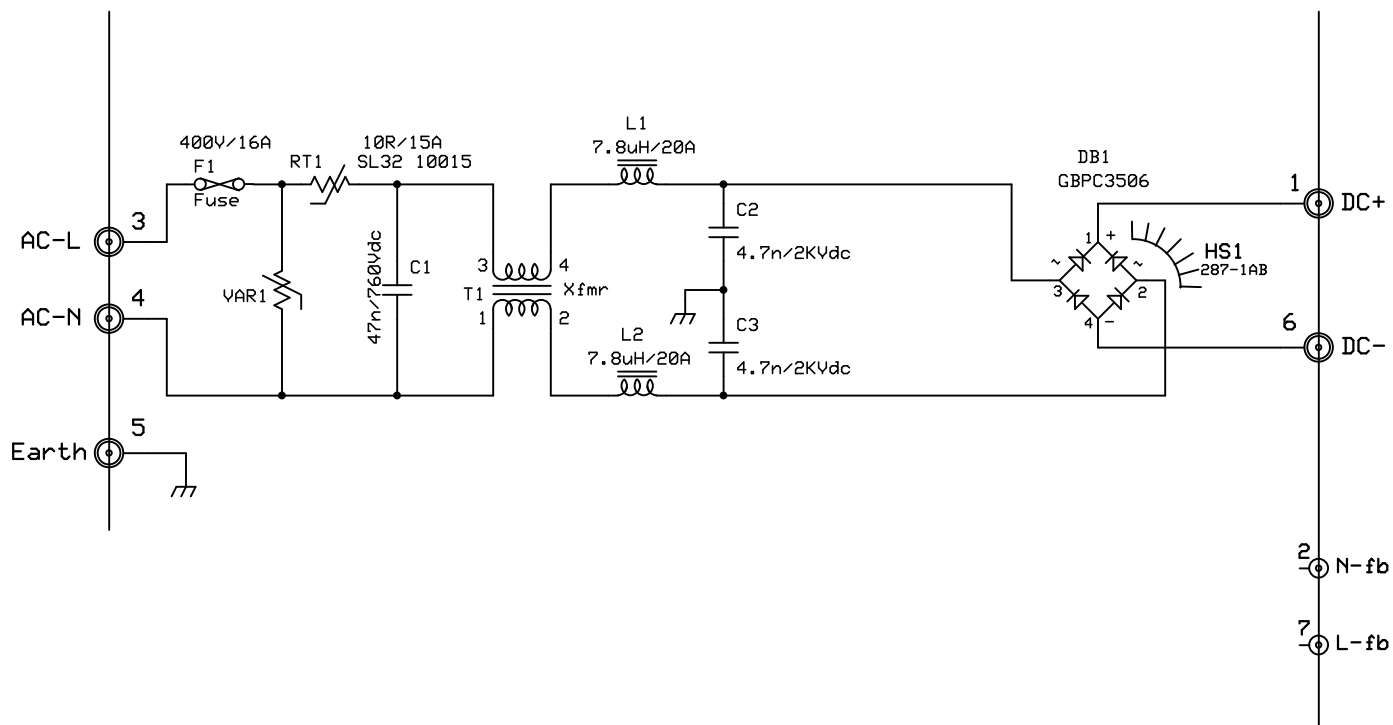


### Quadrature Encoder Interface



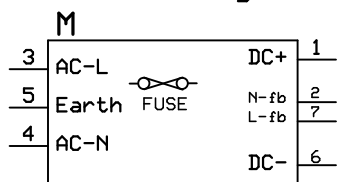


|                                  |             |             |
|----------------------------------|-------------|-------------|
| <b>Texas Instruments</b>         |             |             |
| Industrial Drive Development Kit |             |             |
| DC-PwrEntry-SelVin-12V-5V-3V3_M  |             |             |
| <b>IDDK</b>                      | <b>[R1]</b> | Page 1 of 1 |
|                                  | 07/19/2013  |             |



NOTE:-  
Pins 2 and 4 are NC

Symbol



AC-PwrEntry-Filt-ret-LNMeas

**Texas Instruments**

Industrial Drive Development Kit

AC-Power - Filter

**IDDK**

[R1]

08/17/2011

Page 1 of 1