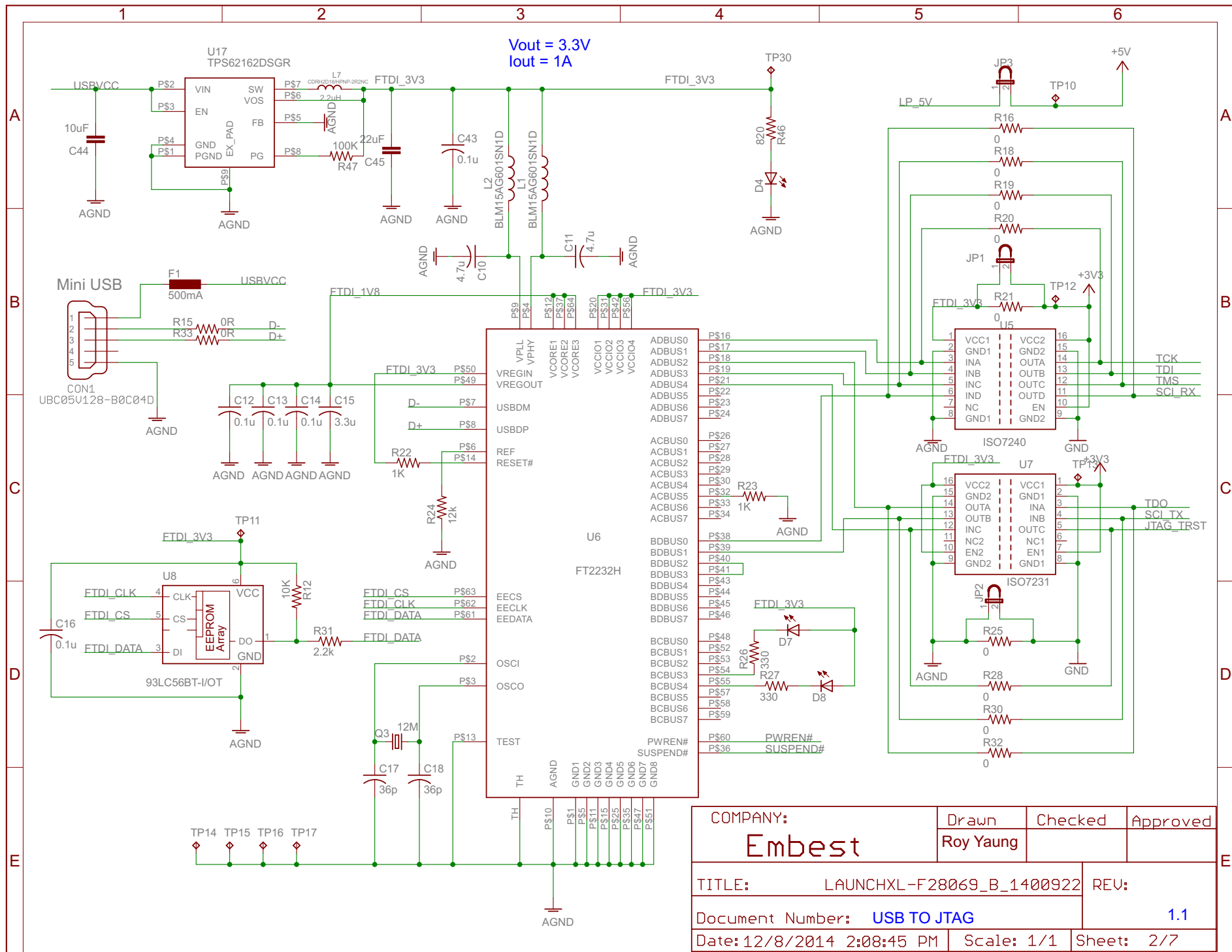
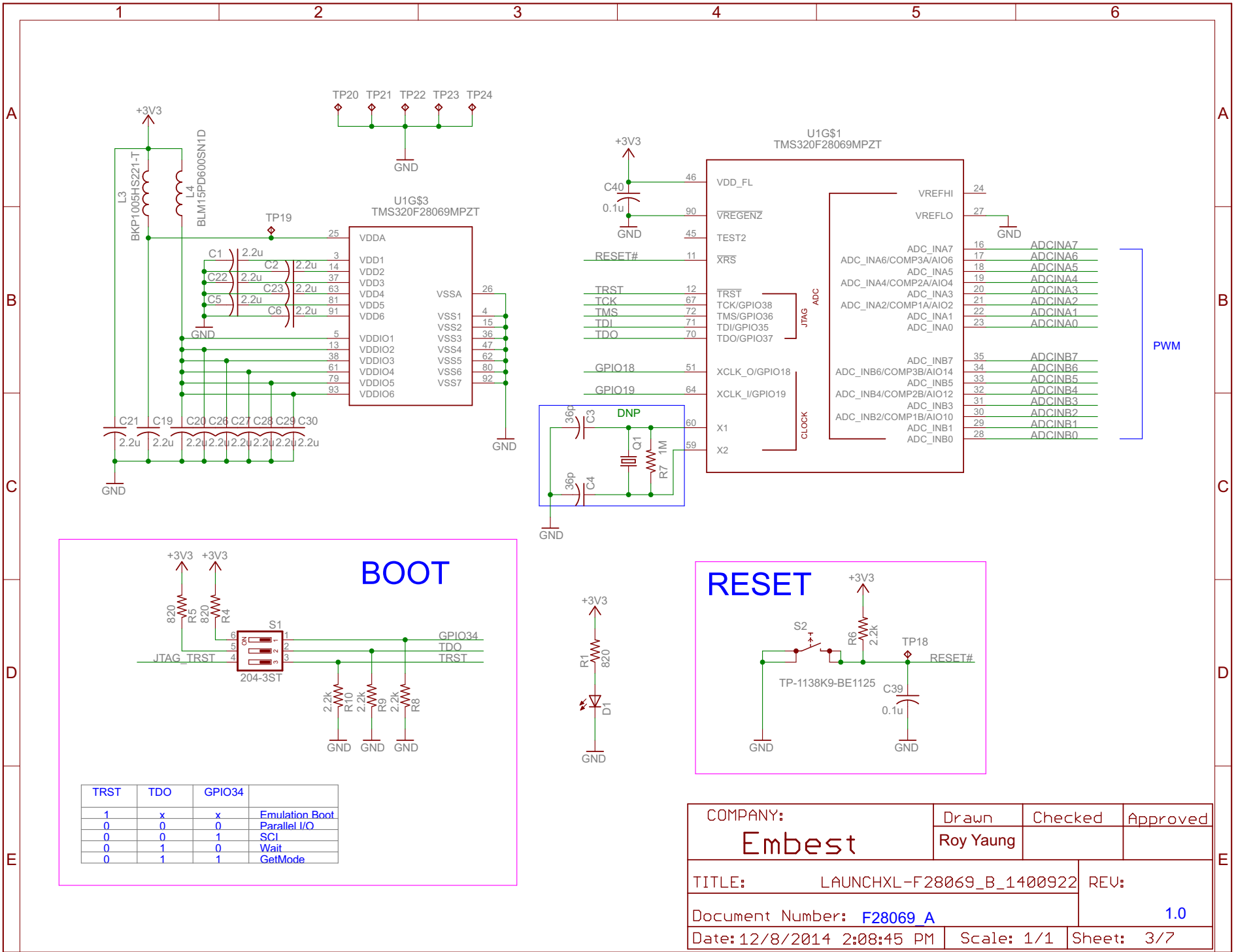


Note: DNP = Do Not Populate

REV	DATA	NOTE
REV1.0	20140806	ORIGINAL RELEASED
REV1.1	20140922	Add pullup resistances and filter capacitors for QEP net on sheet 5.

COMPANY:	Drawn	Checked	Approved
<b>Embest</b>	Roy Young		
TITLE:	LAUNCHXL-F28069_B_1400922	REV:	1.1
Document Number:	<b>BLOCK DIAGRAM</b>	Date:	12/8/2014 2:08:45 PM
Date:	12/8/2014 2:08:45 PM	Scale:	1/1
Date:	12/8/2014 2:08:45 PM	Sheet:	1/7



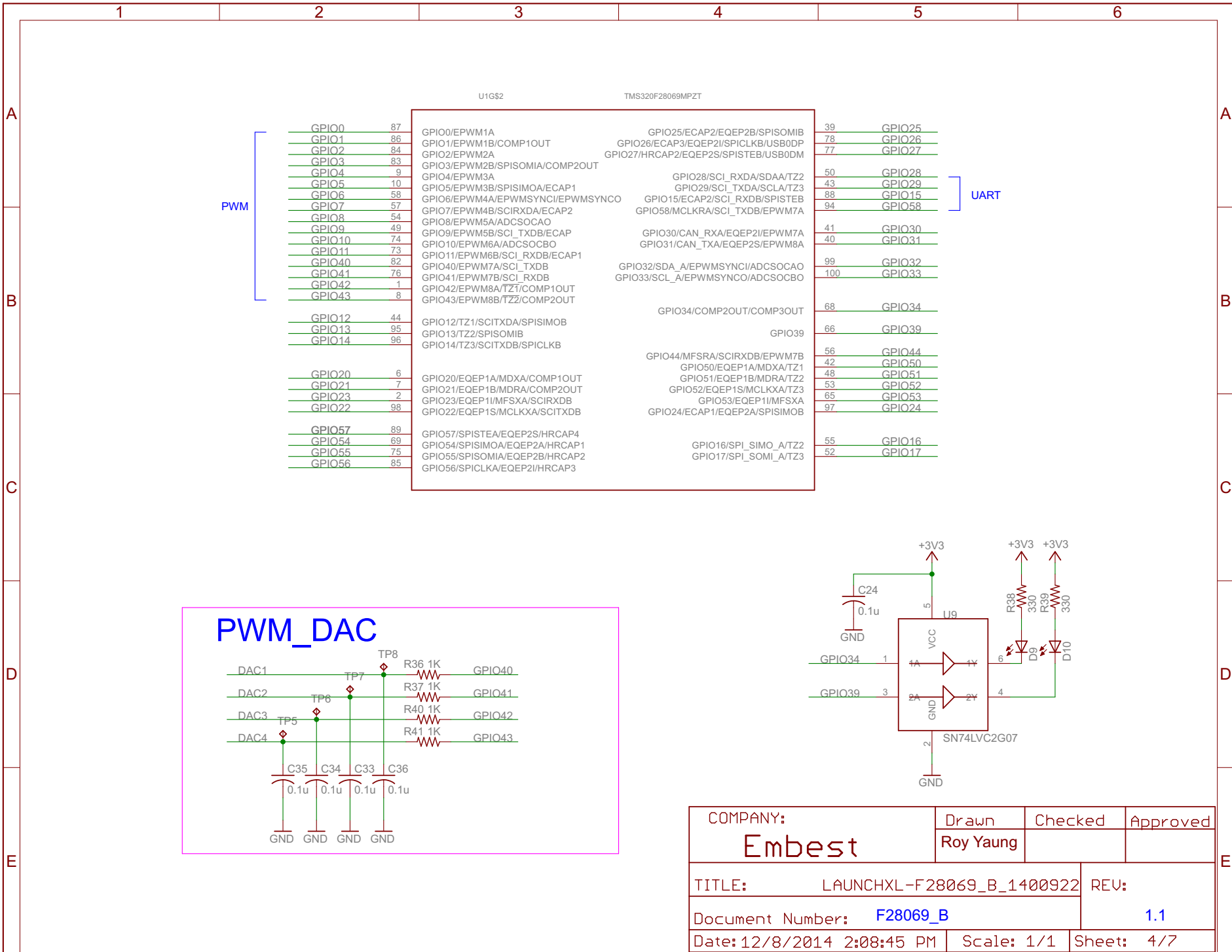


### BOOT

TRST	TDO	GPIO34	
1	x	x	Emulation Boot
0	0	0	Parallel I/O
0	0	1	SCI
0	1	0	Wait
0	1	1	GetMode

### RESET

COMPANY:	Drawn	Checked	Approved
<b>Embest</b>	Roy Young		
TITLE: LAUNCHXL-F28069_B_1400922		REV: 1.0	
Document Number: F28069_A			
Date: 12/8/2014 2:08:45 PM	Scale: 1/1	Sheet: 3/7	



A

B

C

D

E

A

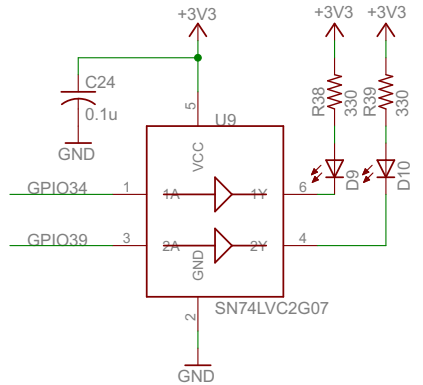
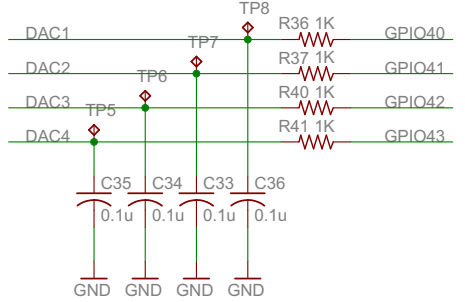
B

C

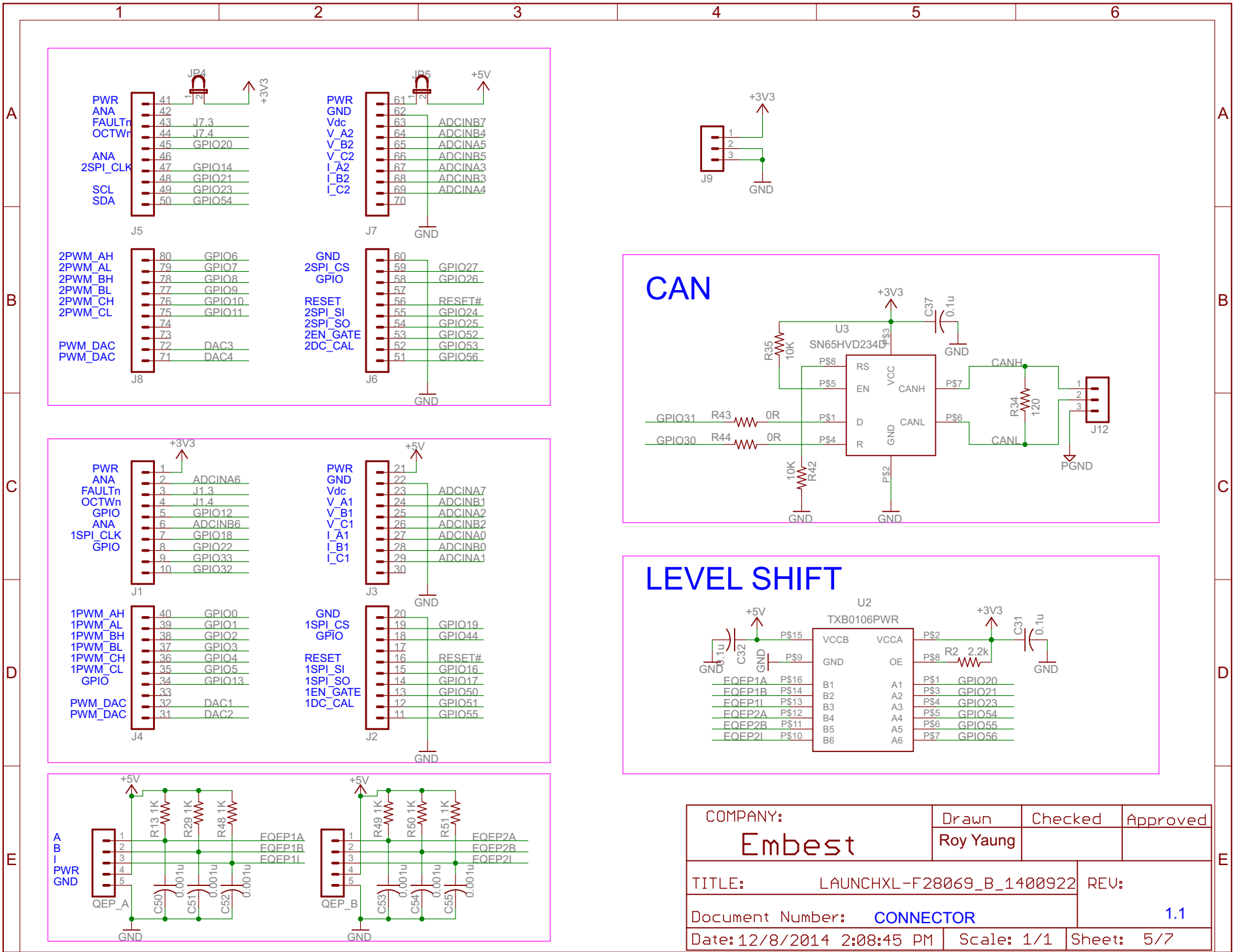
D

E

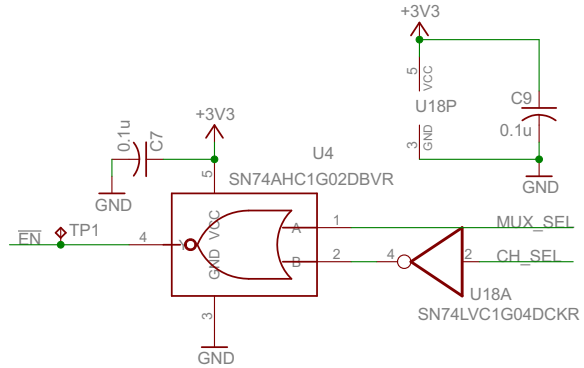
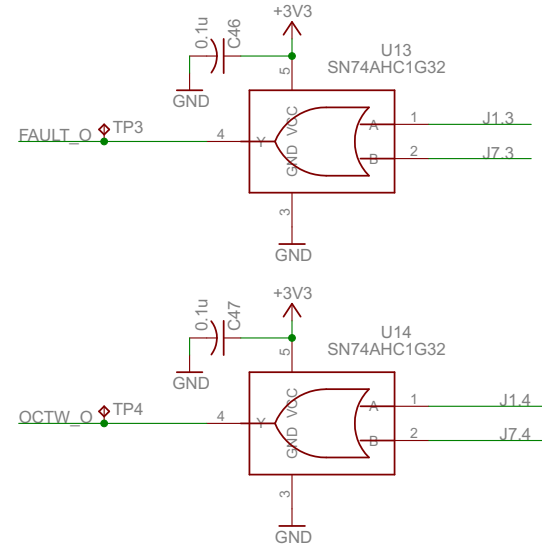
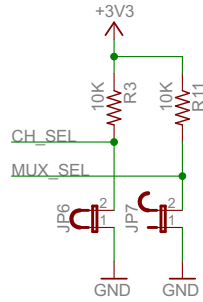
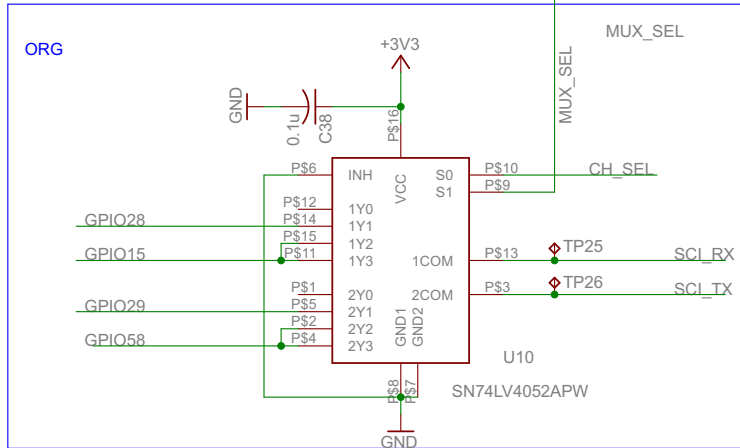
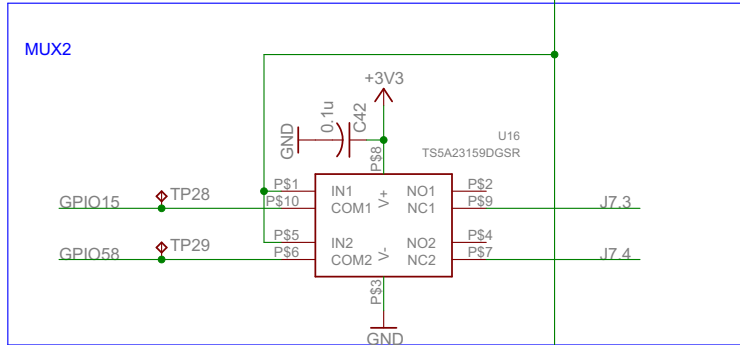
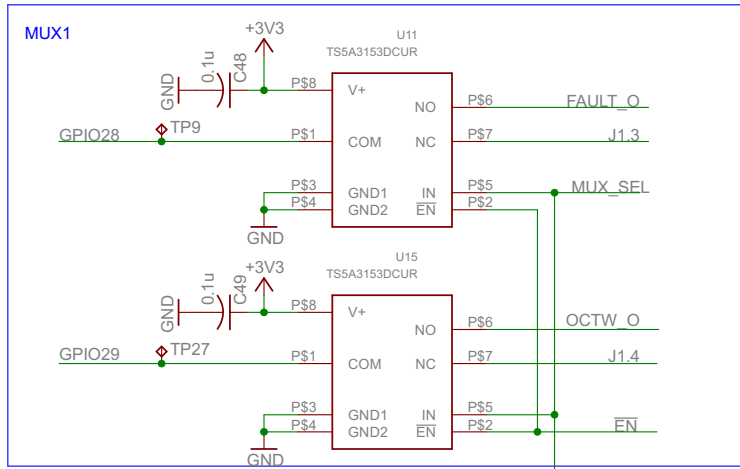
### PWM\_DAC



COMPANY:	Drawn	Checked	Approved
<b>Embest</b>	Roy Young		
TITLE:	LAUNCHXL-F28069_B_1400922		REV:
Document Number:	F28069_B	1.1	
Date: 12/8/2014 2:08:45 PM	Scale: 1/1	Sheet: 4/7	

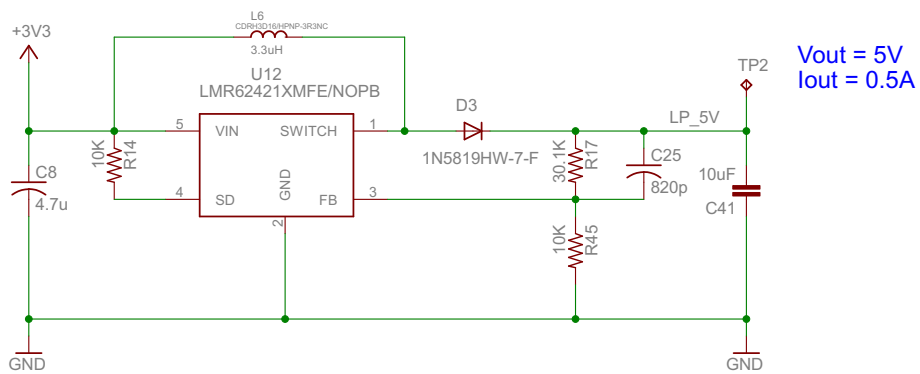


COMPANY:	Drawn	Checked	Approved
<b>Embest</b>	Roy Young		
TITLE:	LAUNCHXL-F28069_B_1400922		REV:
Document Number:	<b>CONNECTOR</b>		<b>1.1</b>
Date: 12/8/2014 2:08:45 PM	Scale: 1/1	Sheet: 5/7	



MUX_SEL	CH_SEL	Channel Description
0	0	UART Disable ; GPIO28&29 — J1.3 & J1.4 ; GPIO15&58 — J7.3 & J7.4 .
0	1	U11 & U15 Disable ; GPIO15&58 — J7.3 & J7.4 ; GPIO28&29 — UART .
1	0	U16 Disable ; GPIO28&29 — Fault & Octw ; GPIO15&58 — UART.
1	1	U16 Disable ; GPIO28&29 — Fault & Octw ; GPIO15&58 — UART.

COMPANY: <b>Embest</b>	Drawn	Checked	Approved
	Roy Young		
TITLE: LAUNCHXL-F28069_B_1400922		REV:	
Document Number: Logic Choice		1.1	
Date: 12/8/2014 2:08:45 PM	Scale: 1/1	Sheet: 6/7	



COMPANY:	Drawn	Checked	Approved
Embest	Roy Young		
TITLE:	LAUNCHXL-F28069_B_1400922		REV:
Document Number:	Power		1.1
Date: 12/8/2014 2:08:45 PM	Scale: 1/1	Sheet: 7/7	