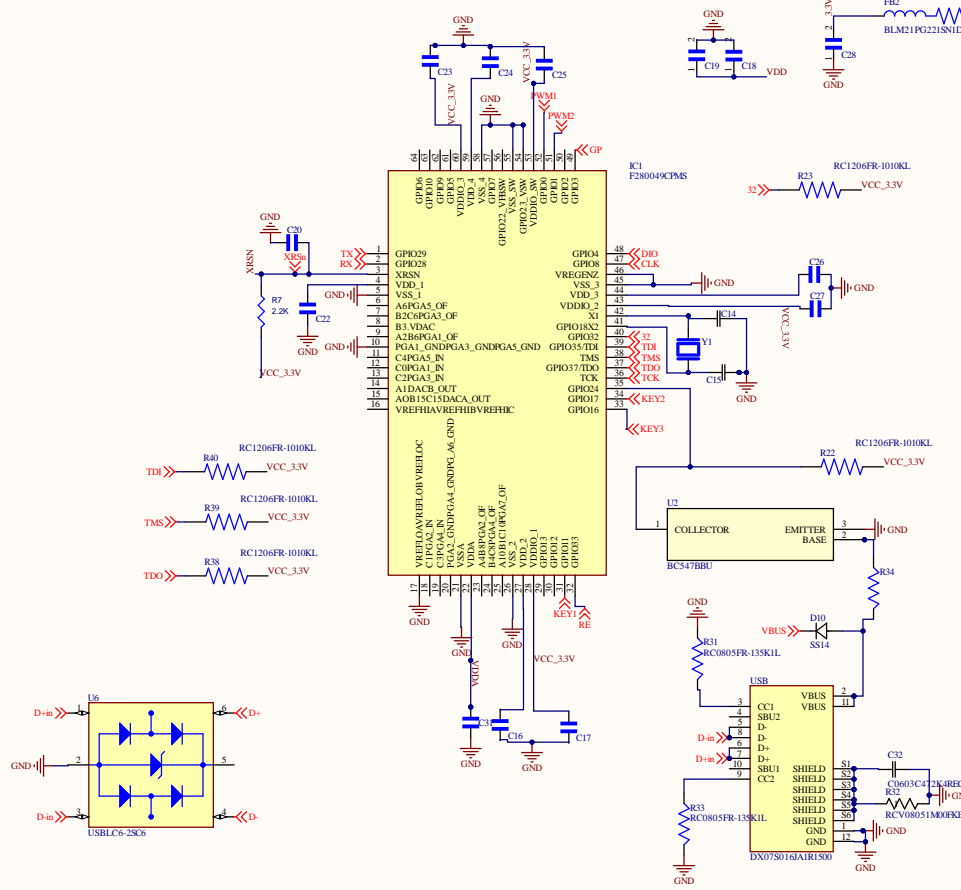
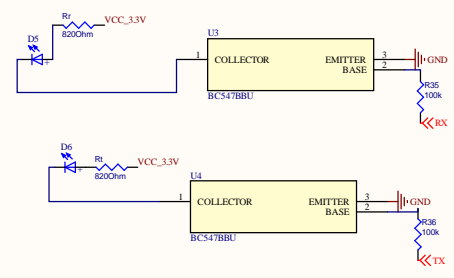
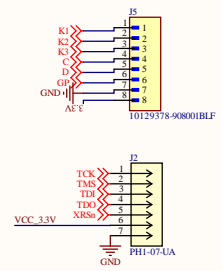
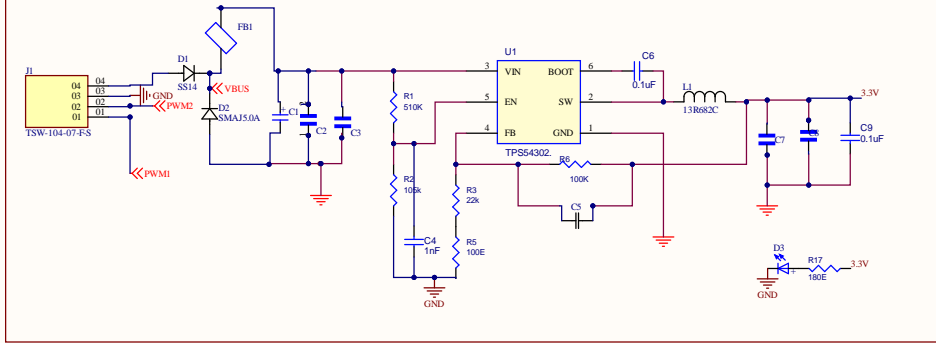


5V to 3.3V Converter



Title		
Size	Number	Revision
C		
Date:	12/01/2025	Sheet of
File:	E:\PROJECT_FOLDERS\JLorman_M4	4/4