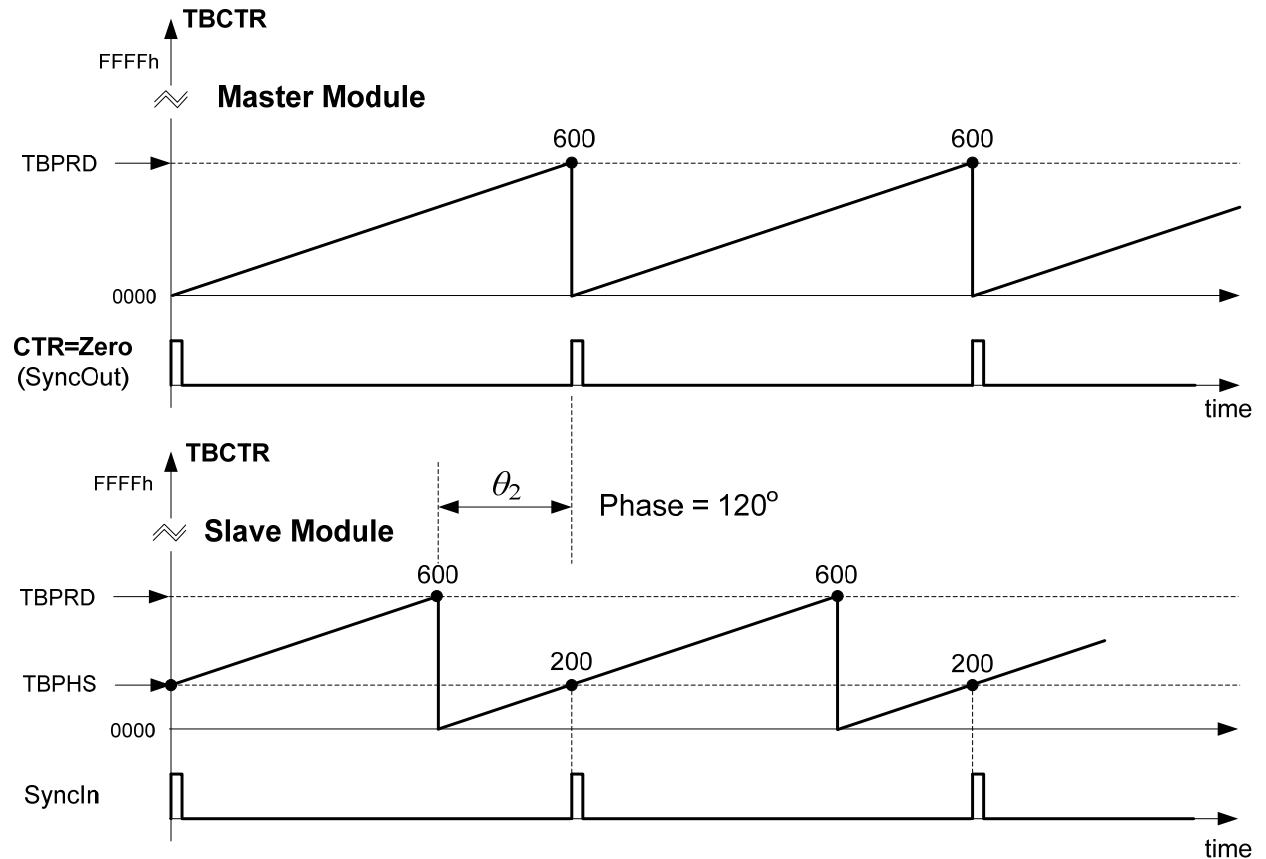
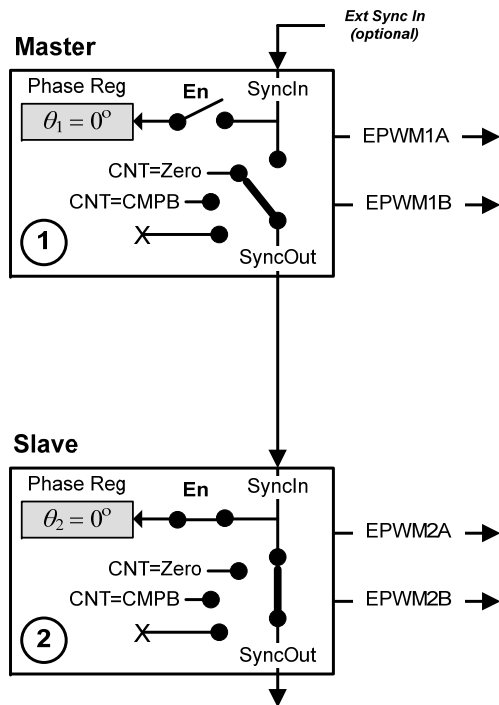


Phase Control



- Phase is controlled between PWM modules by synchronizing time-base counters.
- In this example, PWM1 generates a SyncOut pulse on a CNT = Zero event. PWM2 receives the pulse at its SyncIn terminal and loads a phase offset of 200 into its TBCTR.
- Adjustment of phase offsets can be done at any time without corrupting the waveforms.