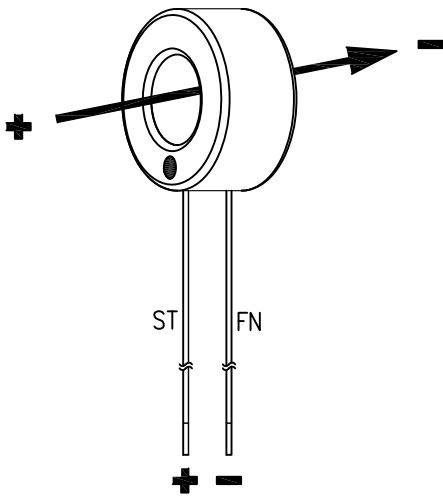


FIG. 1 - POLARITY

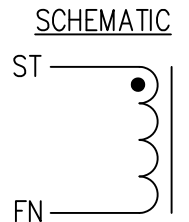


ELECTRICAL TEST PARAMETERS:

INDUCTANCE @ 10kHz/0.1VAC
 $L(1-2) = 7\mu\text{H} \pm 10\%$

DC RESISTANCE OHMS (Ω) @ 25°C
 $\text{DCR: } (1-2) = 1.05\Omega \pm 10\%$

TURNS/POLARITY (SEE FIGURE 1)
 $T(1-2) = 140 \pm 0$ (VISUAL COUNT)



COURTESY DRAWING

FILE NAME
 RLTI-1310

-TOLERANCES-		CUSTOMER NAME		THIS COURTESY PRINT IS PROPRIETARY AND CONFIDENTIAL NO PART OF THIS COURTESY PRINT MAY BE DISCLOSED TO A THIRD PARTY WITHOUT PRIOR WRITTEN CONSENT FROM RENCO ELECTRONICS INC.	
UNLESS OTHERWISE SPECIFIED DIMENSIONS ARE IN INCHES		TEXAS INSTRUMENTS			
.XX=±	0.03	DESCRIPTION		THIS DOCUMENT IS FOR REFERENCE ONLY	
.XXX=±	0.015	ROGOWSKI COIL, 140T			
ANGULAR=±	3°	ENGINEER CONTACT	DWN BY		
FRACTIONAL=±	1/16"	I. RENSING	IAR		
		DATE	SCALE	RoHS COMPLIANT: YES <input checked="" type="checkbox"/> NO <input type="checkbox"/>	
		12/05/18	NONE	REV	PAGE
				PRE	1 of 1