

A

B

C

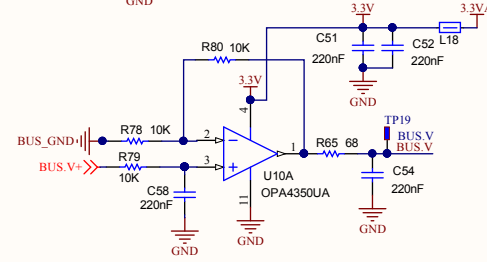
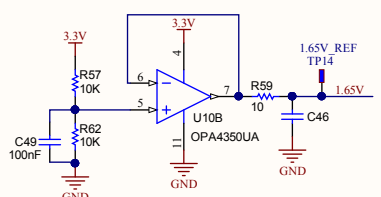
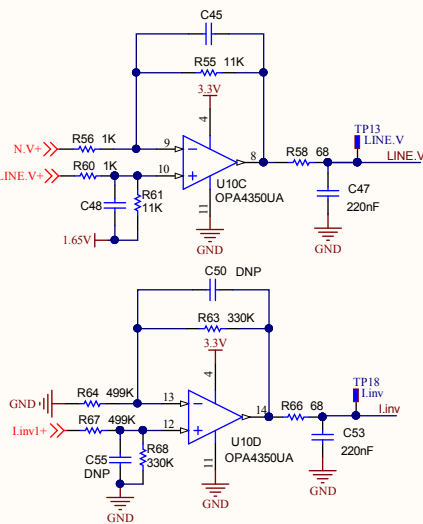
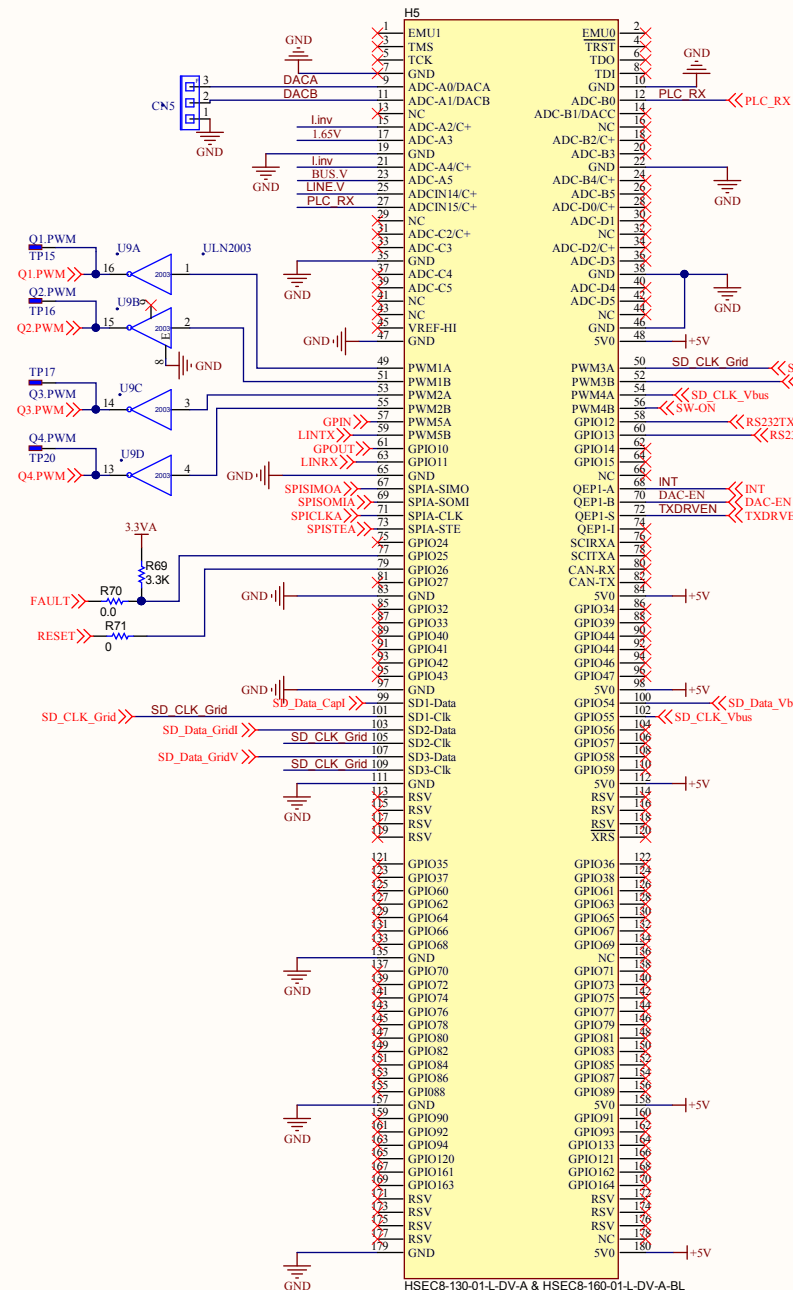
D

A

B

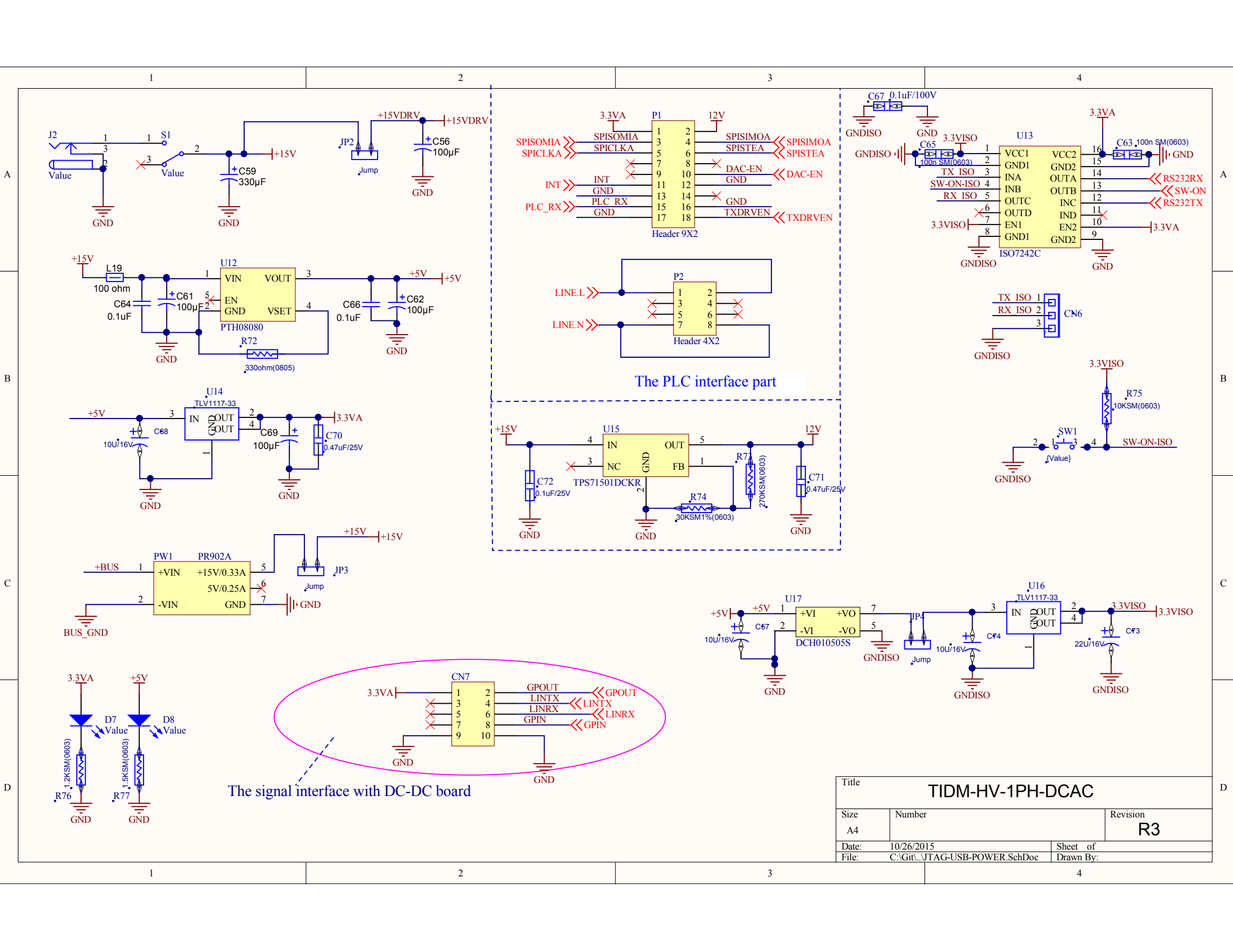
C

D



HSEC8-130-01-L-DV-A & HSEC8-160-01-L-DV-A-BL

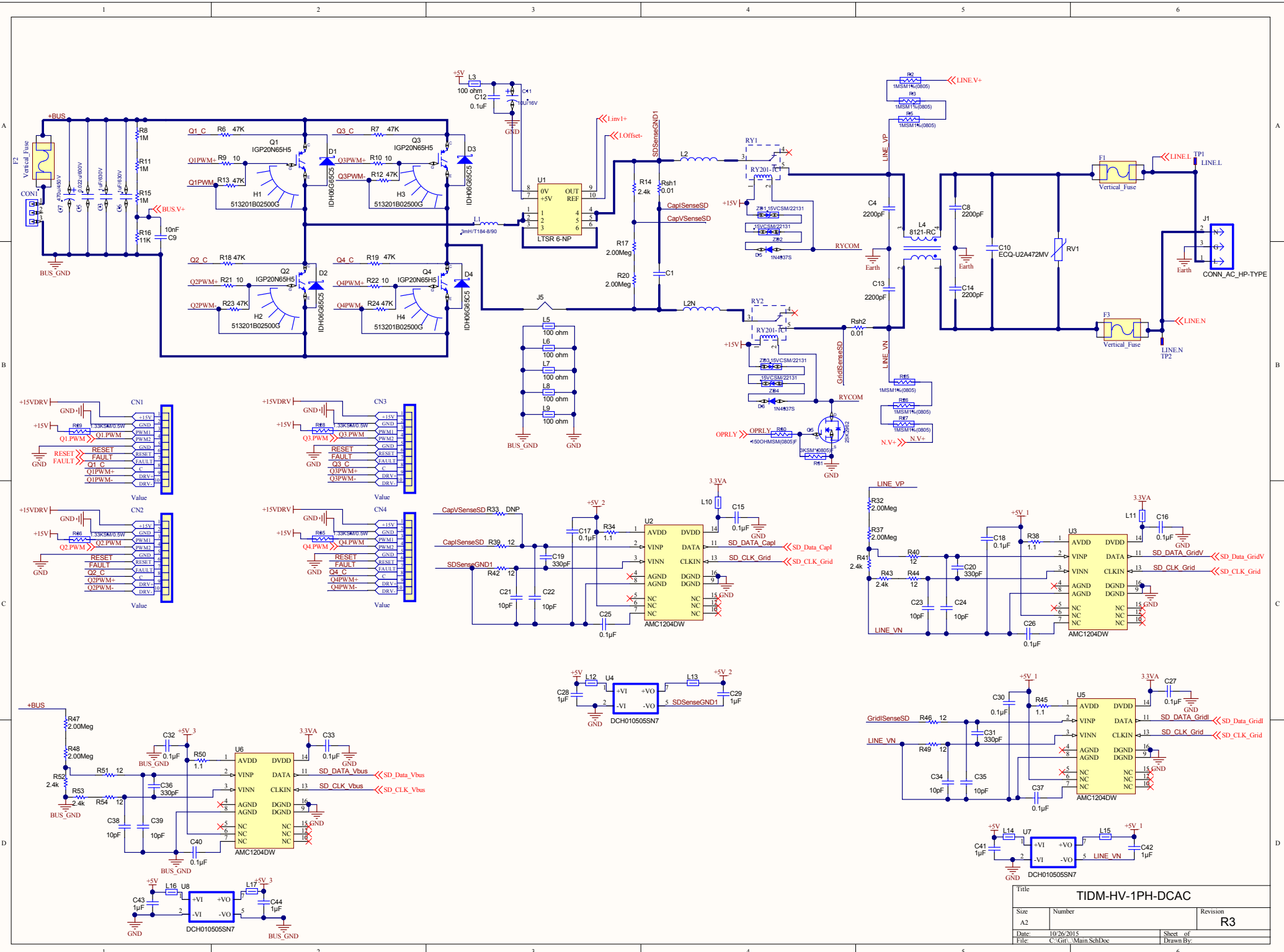
Title			TIDM-HV-1PH-DCAC		
Size	Number	Revision			
A3		R3			
Date:	10/26/2015	Sheet of			
File:	C:\Git\CNTRL_SchDoc	Drawn By:			



The signal interface with DC-DC board

The PLC interface part

Title			TIDM-HV-1PH-DCAC		
Size	Number			Revision	
A4				R3	
Date:	10/26/2015	Sheet of			
File:	C:\Git\JTAG-USB-POWER.SchDoc	Drawn By:			



Title		
TIDM-HV-1PH-DCAC		
Size	Number	Revision
A2		R3
Date:	10/26/2015	Sheet of
File:	C:\Git\Main\SchDoc	Drawn By:

Texas Instruments
HV-1PH-DCAC-R3

CAUTION!
High Voltage

350-400V DC
1.7 Amps

For Evaluation Only;
not FCC Approved for resale

CAUTION!
High Voltage

110VRMS
or 220VRMS

Primary Side
Secondary Side

