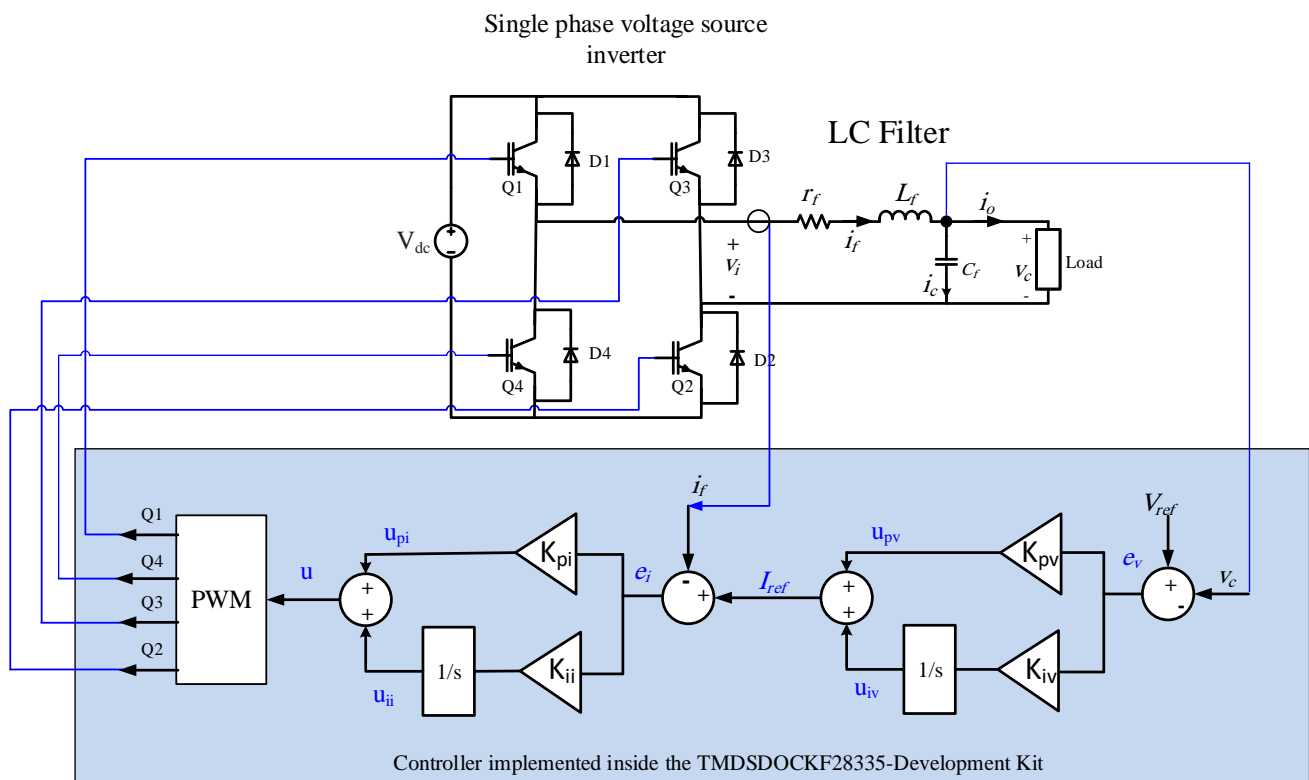


Dear Sir

Thank you for help. I have seen the mentioned video, but I have two problems:

1. I am not an expert in C/C++ language programming, that is why I had chosen (TMDSDOCKF28335) since it can be easily programmed using MATLAB/Simulink.
2. I also need to plot feedback signals like v_c , i_f , i_o , u_{pv} , u_{iv} , u_{pi} , u_{ii} , and u (please see the attached figure) with the real time in the x-axis, to ensure that the kit reads the feedback signals from voltage/current sensors and perform the control law correctly.

Thanks.



feedback control scheme for single-phase voltage-source DC to AC inverter with output filter