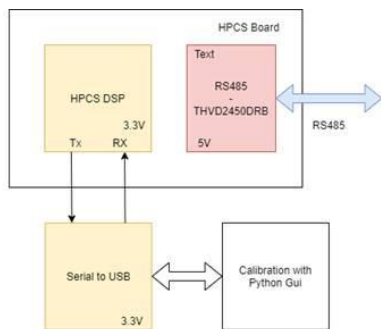
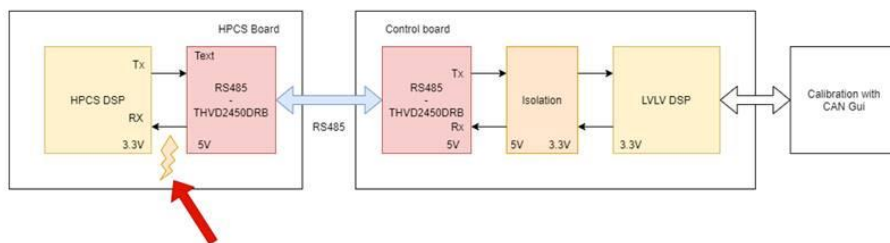


Use case 1
RS485 transceiver disconnected
direct connection to HPCS DSP pin



Use case 2
Final assembly for production
with Control board



Use case 2
Connection with Break out board

