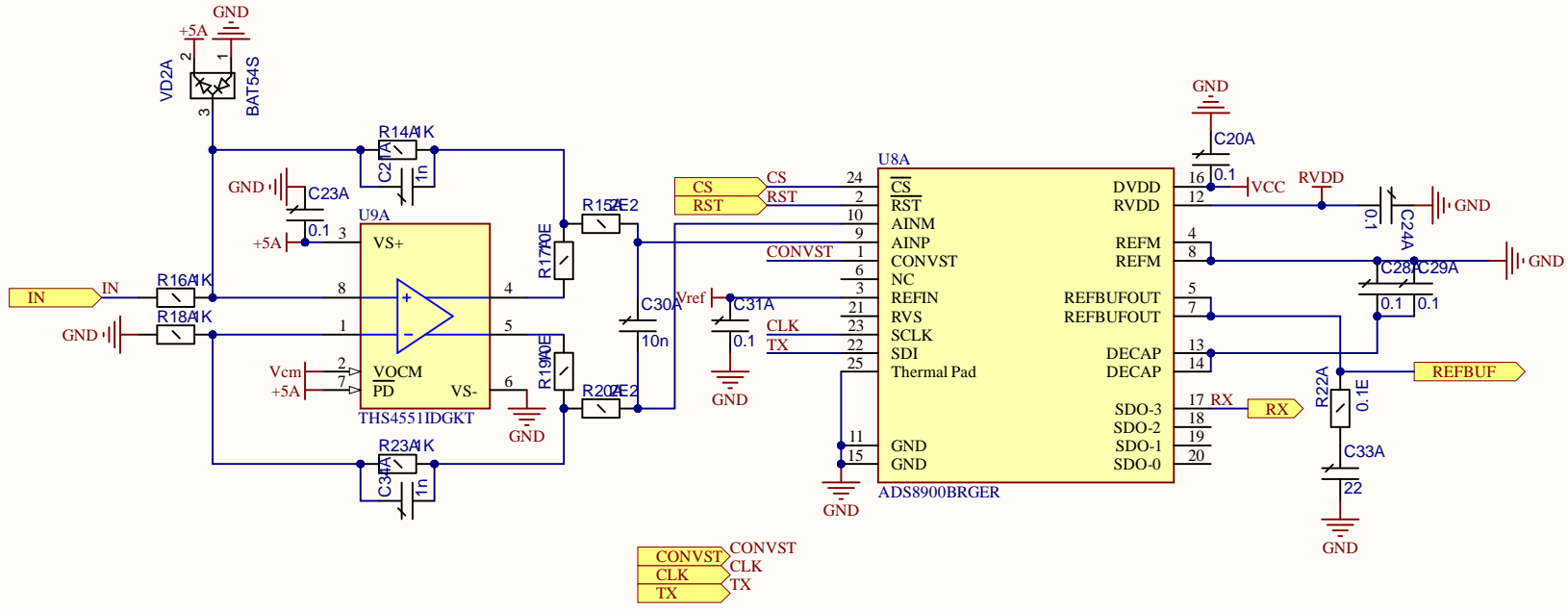
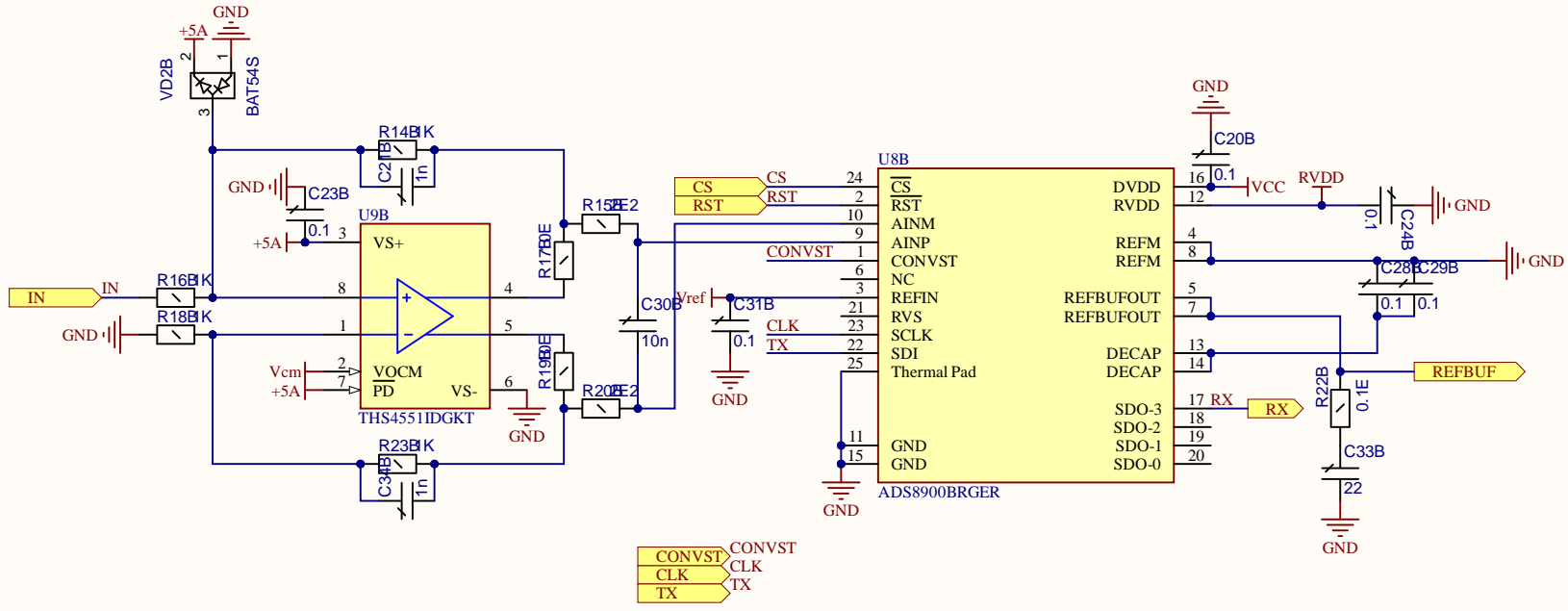


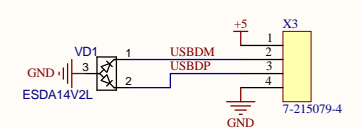
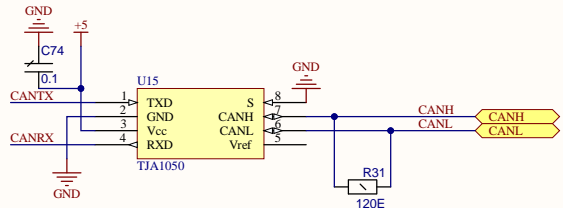
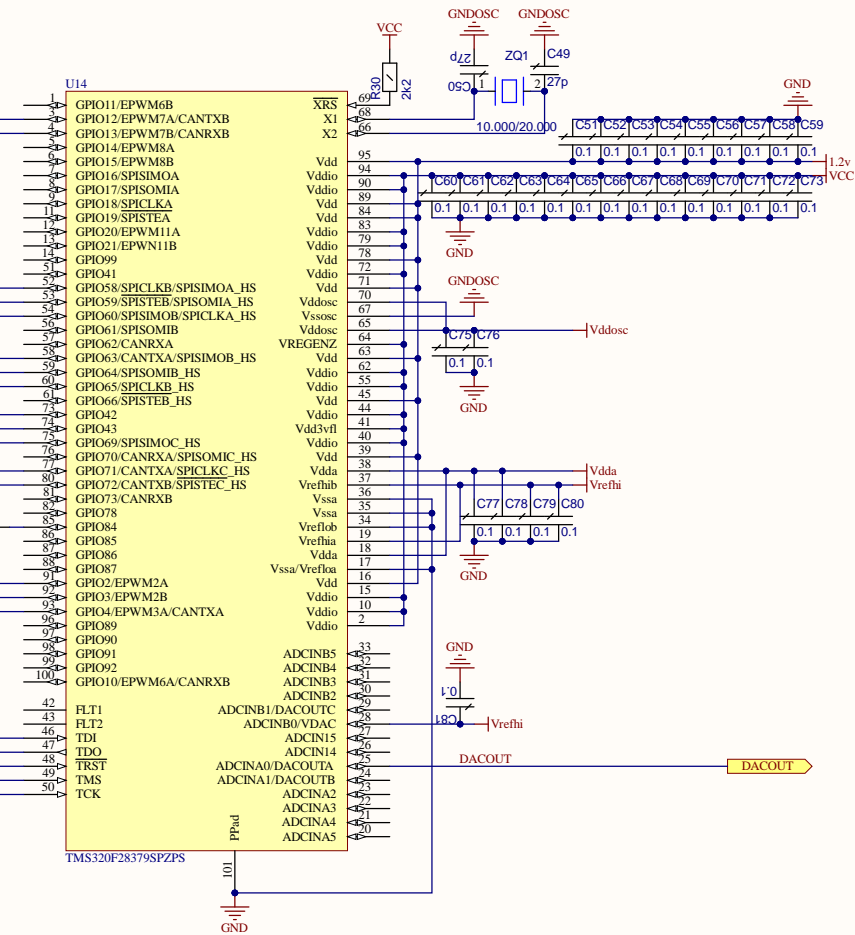
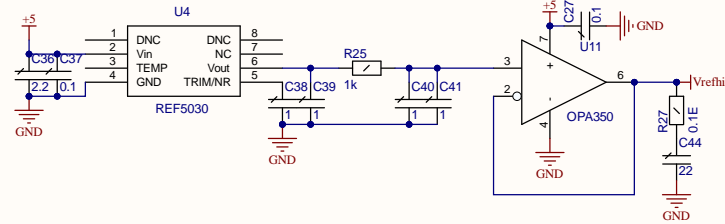
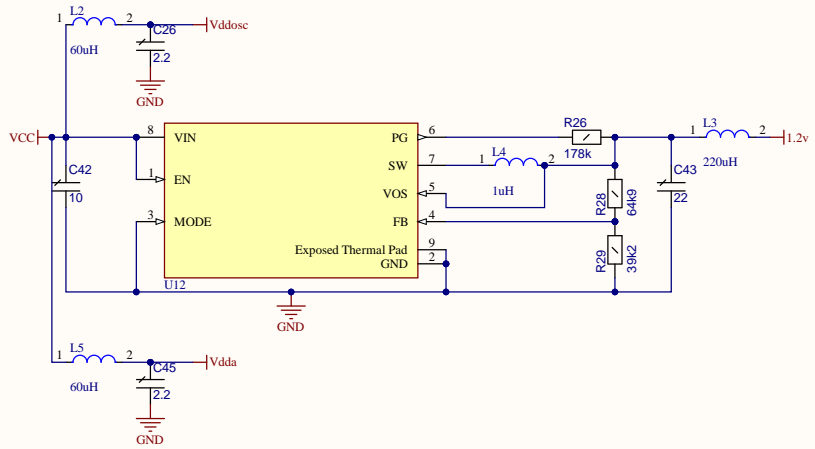
Title		
Size	Number	Revision
A3		
Date:	3.05.2022	Sheet of
File:	D:\PCB\...CPIH 127 510 000 Ilara konj...	Ilara konj...SchDoc



Title		
Size	Number	Revision
A4		
Date:	3.05.2022	Sheet of
File:	D:\PCB\...\ADC.SchDoc	Drawn By:



Title		
Size	Number	Revision
A4		
Date:	3.05.2022	Sheet of
File:	D:\PCB\...\ADC.SchDoc	Drawn By:



Title		
Size	Number	Revision
A3		
Date:	3.05.2022	Sheet of
File:	D:\PCB\...MCU.SchDoc	Drawn By:

СРДН.127.510.000  
Плата кондуктометра  
А.1

