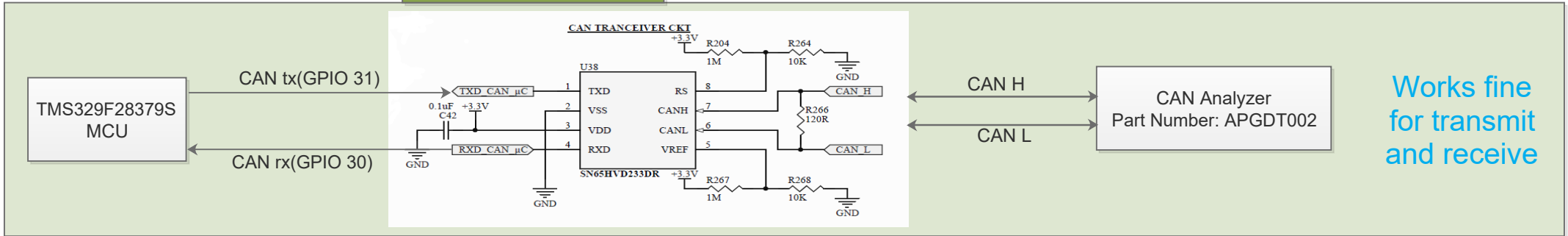
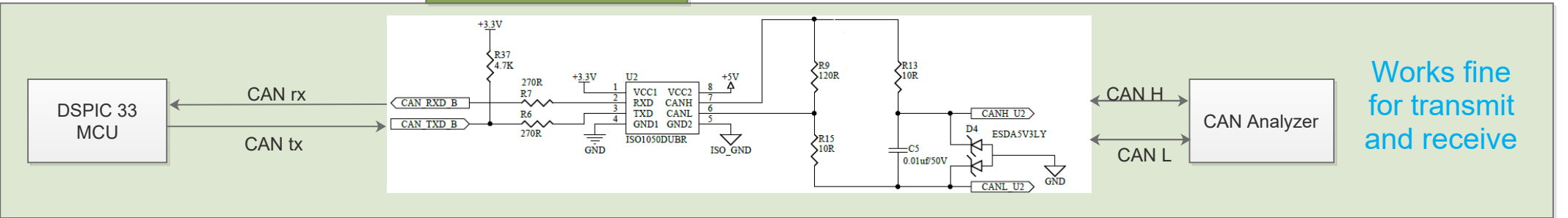


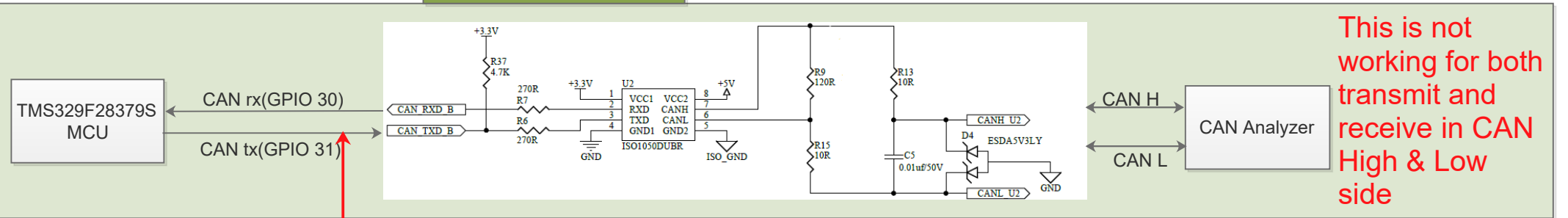
Test 1



Test 2



Test 3



Note: The TX signal always appears high on the oscilloscope.