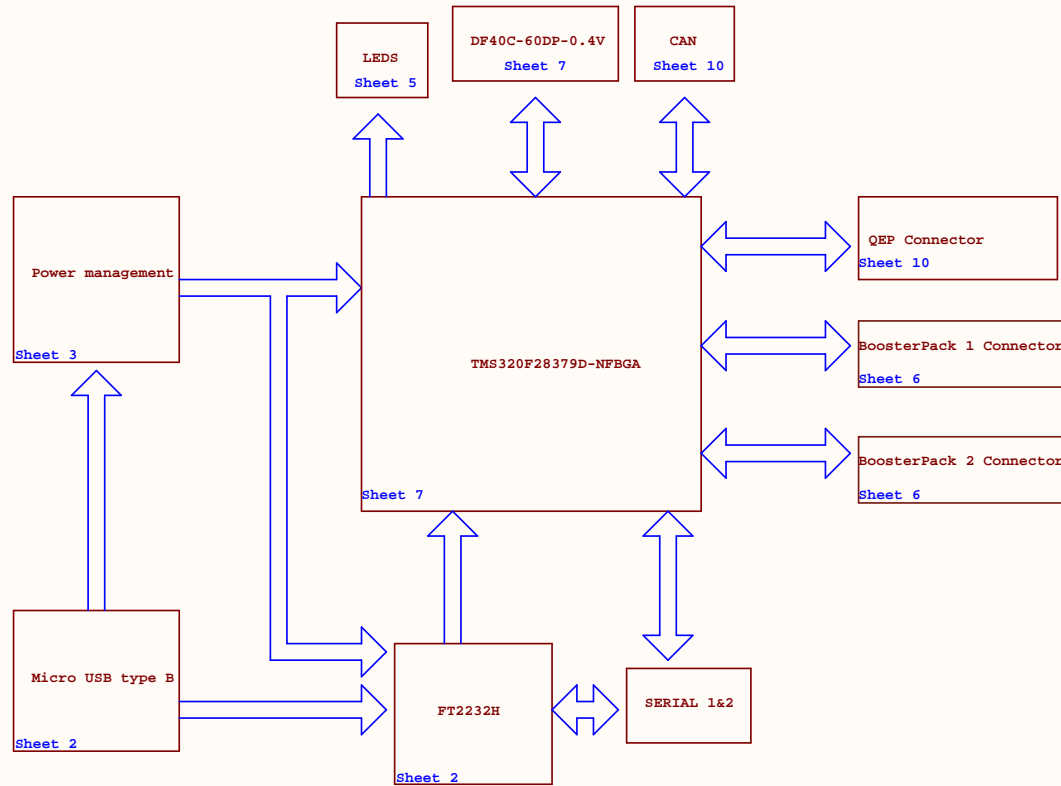


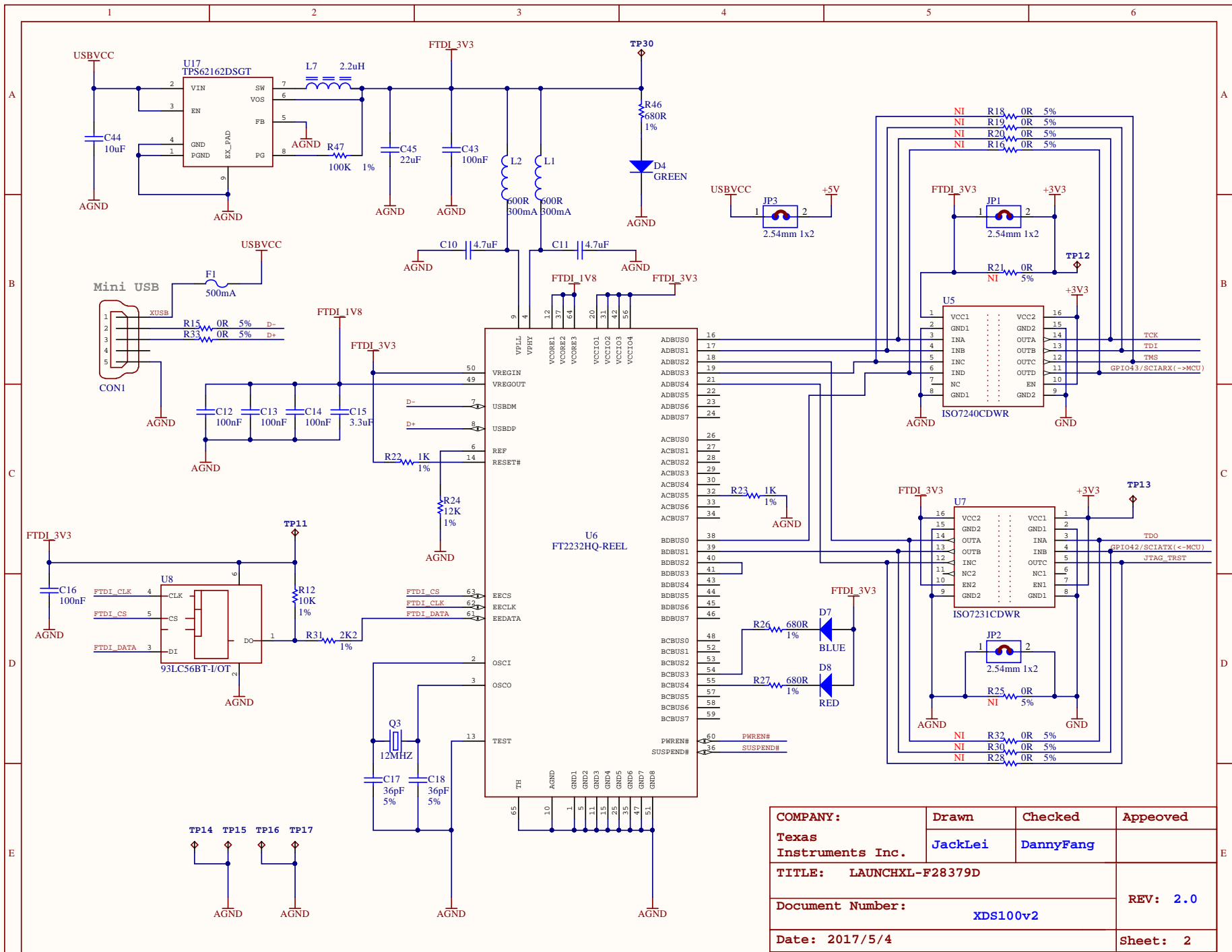
LAUNCHXL-F28379D



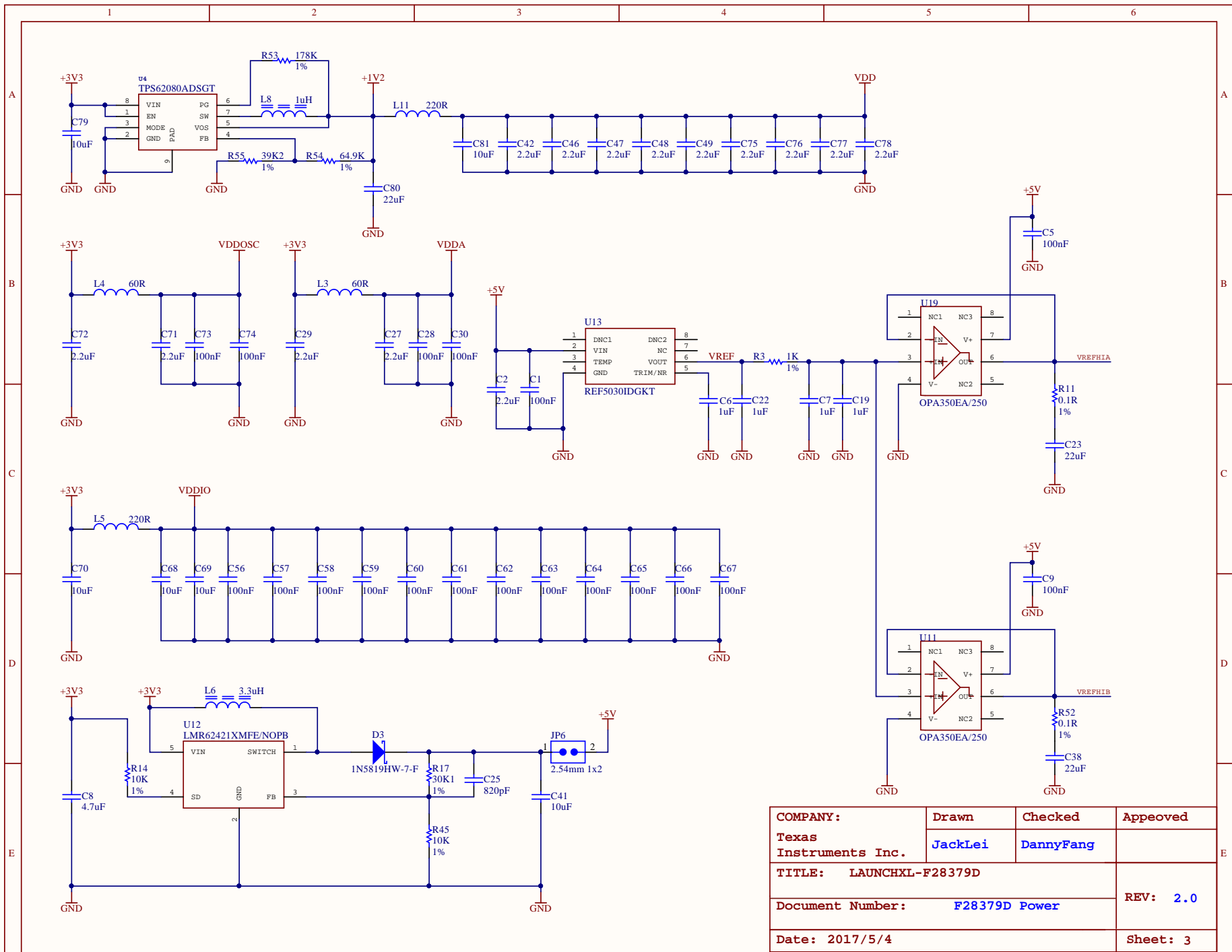
REV	DATA	NOTE
REV1.0	20151210	ORIGINAL RELEASED
REV1.1	20160415	-Changed value for R11/R52 from 560m to 100m -Swap pin connection for J3&J7 -Replace U19&U11 with OPA350 -Changed value for R38/R39 from 330R to 820R
REV2.0	20170426	-Replace D1/D4 with 150080VS75000 -Replace D7/D10 with 150080BS75000 -Replace D8/D9 with 150080SS75000 -Changed R1/R26/R27/R38/R39/R46 from 820R to 680R -Changed C40 from 1nF to 180pF -Add 5V connector J16 -Changed "PGND" to "GND" in CAN connector J12 -Changed GPIO29/40/41/52/104/105 route in page 9 -Connect U13.6 to U1.2 -Changed R60/R61 from 4K02 to 10K -Add R79 connect U2.8 to GND -Add C84/C85 -Changed C23/C38 from 2.2uf to 22uf

Note: NI = Not Install

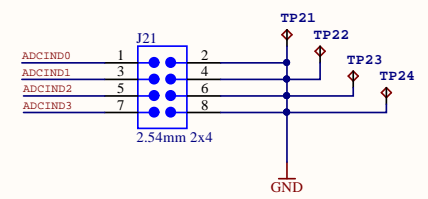
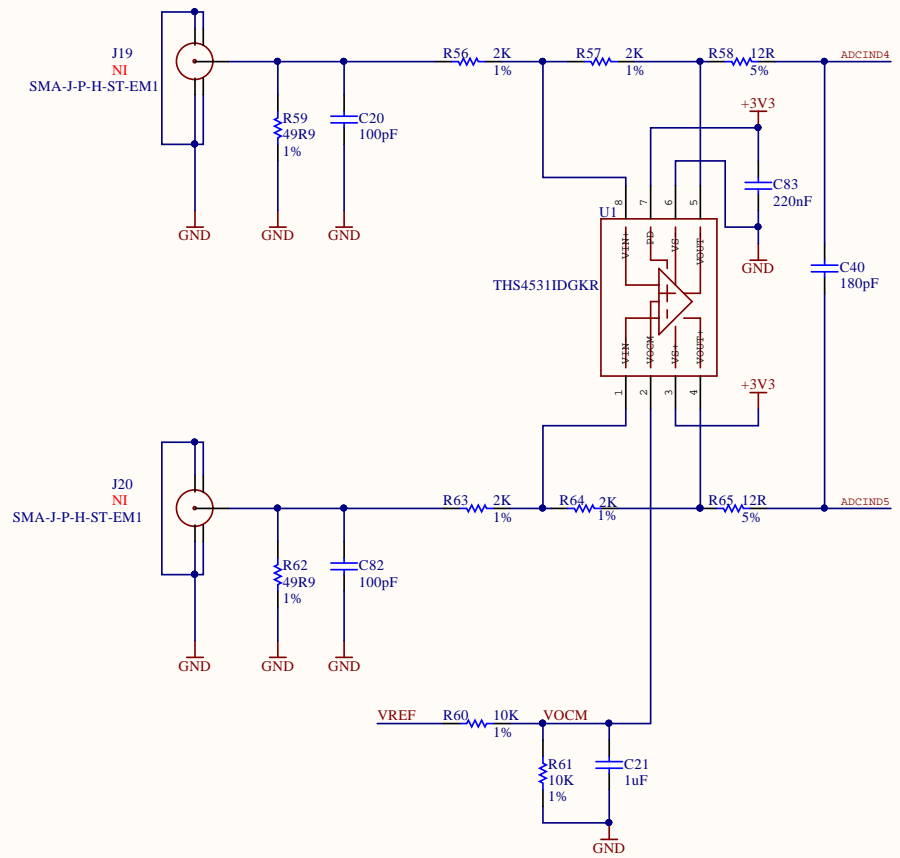
COMPANY: Texas Instruments Inc.	Drawn	Checked	Approved
	JackLei	DannyFang	
TITLE: LAUNCHXL-F28379D			REV: 2.0
Document Number:	BLOCK DIAGRAM		
Date: 2017/5/4			Sheet: 1



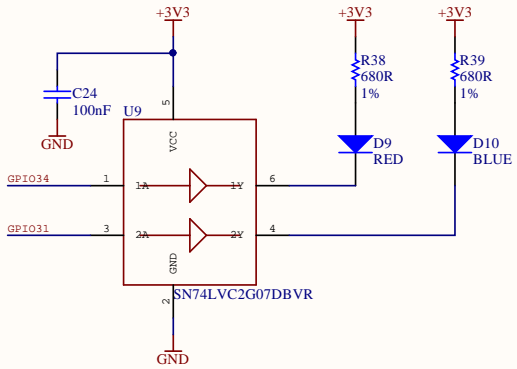
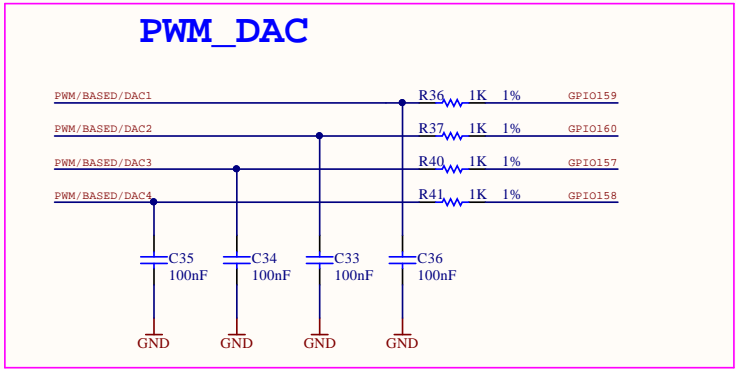
COMPANY: Texas Instruments Inc.	Drawn	Checked	Approved
	JackLei	DannyFang	
TITLE: LAUNCHXL-F28379D			REV: 2.0
Document Number:		XDS100v2	
Date: 2017/5/4		Sheet: 2	



COMPANY: Texas Instruments Inc.	Drawn	Checked	Approved
	JackLei	DannyFang	
TITLE: LAUNCHXL-F28379D			REV: 2.0
Document Number: F28379D Power			
Date: 2017/5/4			
			Sheet: 3

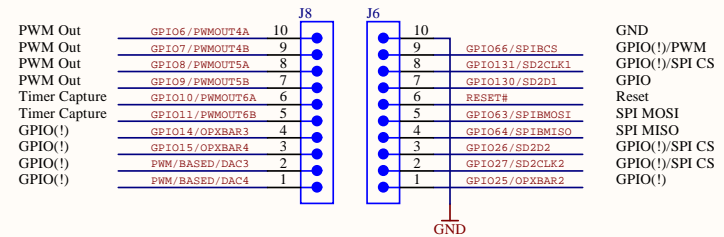
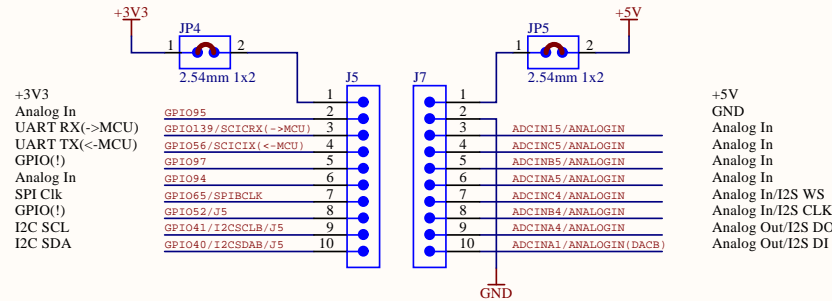
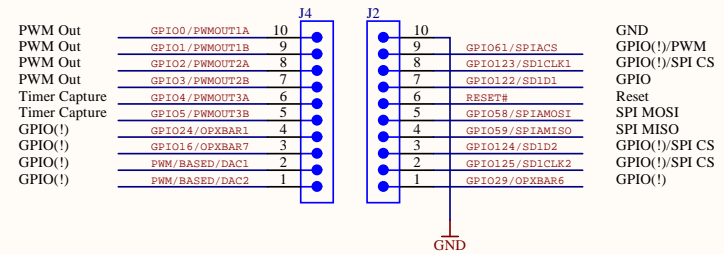
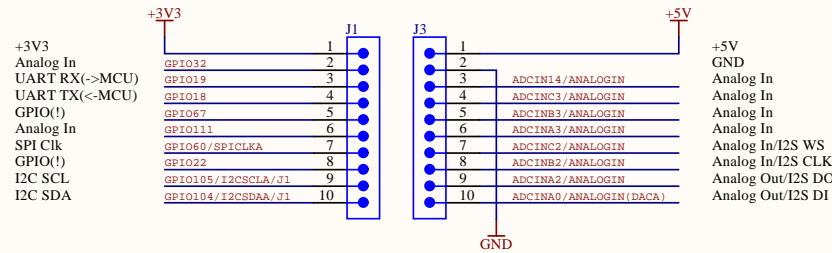


COMPANY: Texas Instruments Inc.	Drawn	Checked	Approved
	JackLei	DannyFang	
TITLE: LAUNCHXL-F28379D			REV: 2.0
Document Number: ADCIND0/1/2/3/4/5			
Date: 2017/5/4			
			Sheet: 4

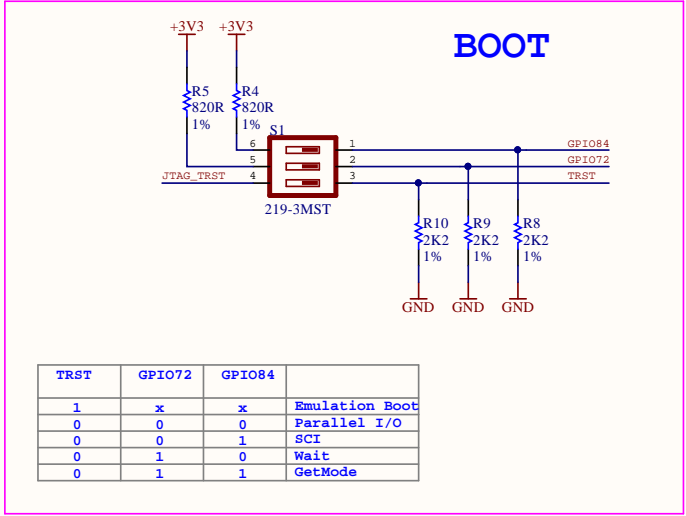
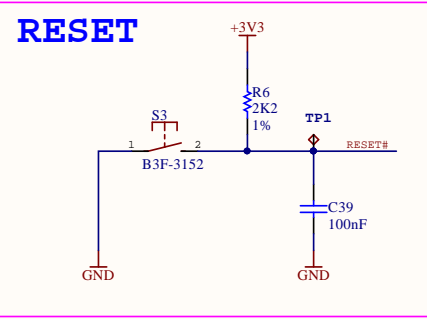
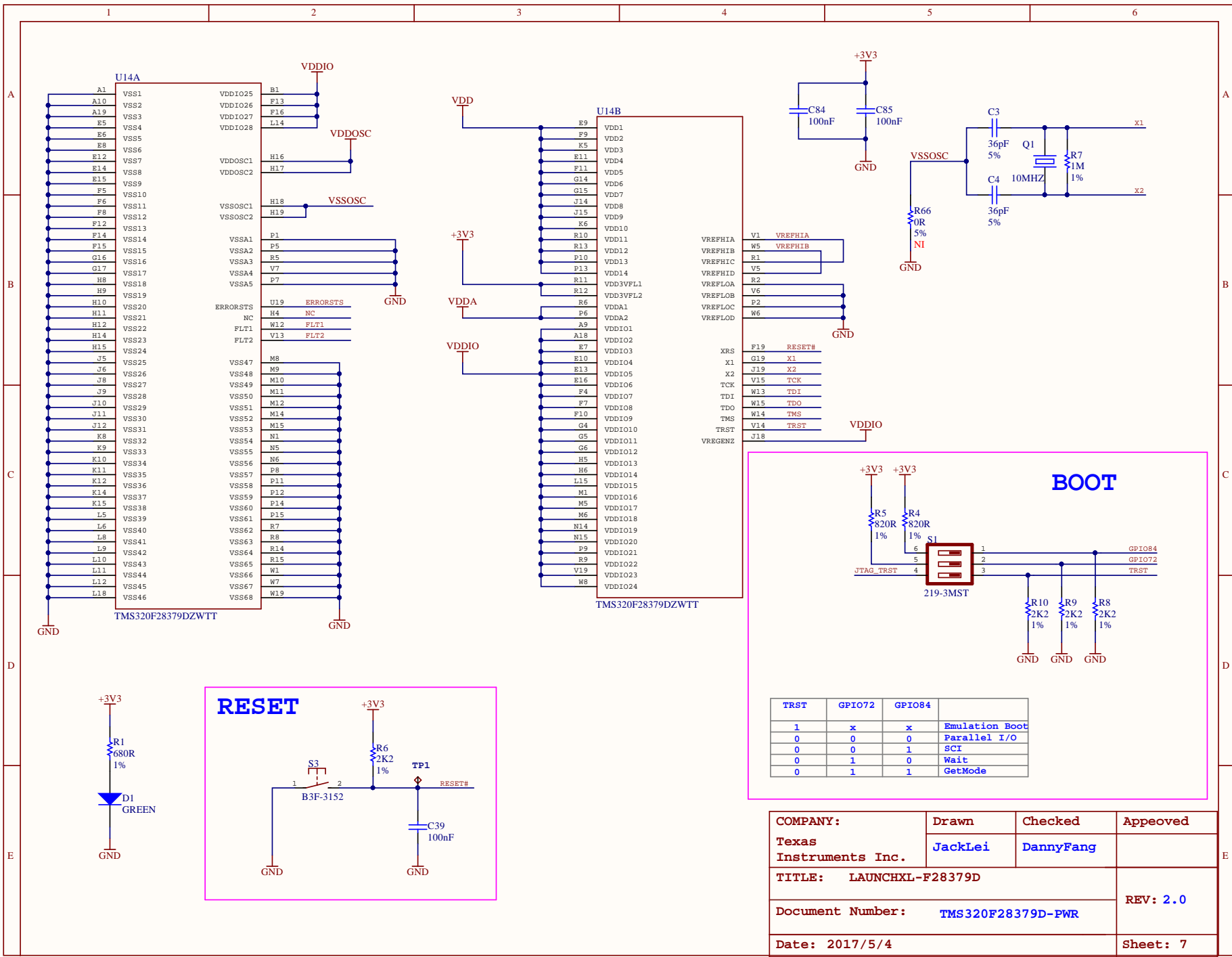


COMPANY: Texas Instruments Inc.	Drawn	Checked	Approved
	JackLei	DannyFang	
TITLE: LAUNCHXL-F28379D			REV: 2.0
Document Number:	PWM_DAC		
Date: 2017/5/4			Sheet: 5

BoosterPack Headers



COMPANY:	Drawn	Checked	Approved
Texas Instruments Inc.	JackLei	DannyFang	
TITLE: LAUNCHXL-F28379D			REV: 2.0
Document Number:	BoosterPack Headers		
Date: 2017/5/4			Sheet: 6



COMPANY: Texas Instruments Inc.	Drawn JackLei	Checked DannyFang	Approved
TITLE: LAUNCHXL-F28379D			REV: 2.0
Document Number: TMS320F28379D-PWR			
Date: 2017/5/4			Sheet: 7

A

B

C

D

E

A

B

C

D

E

U14C

GPIO135	U18	GPIO135/SCITXDA/SD2_C1	GPIO52/EQEP1S/EM1A12/SPICLK/SD1_D1	P16	GPIO52
GPIO134	V18	GPIO134/SD2_D1	GPIO53/EQEP1I/EM1D31/EM2D15/SPISTEC/SD1_C1	P17	GPIO53
GPIO133	G18	GPIO133/AUXCLKIN/SD2_C1	GPIO54/SPISOMIA/EM1D30/EM2D14/EQEP2A/SCITXDB/SD1_D1	P18	GPIO54
GPIO132	W18	GPIO132/SD2_D1	GPIO55/SPISOMIA/EM1D29/EM2D13/EQEP2B/SCITXDB/SD1_C1	P19	GPIO55
GPIO131/SD2CLK1	V10	GPIO131/SD2_C2	GPIO56/SPICLKA/EM1D28/EM2D12/EQEP2S/SCITXDC/SD2_D2	N16	GPIO56/SCICIX(-MCU)
GPIO130/SD2D1	U10	GPIO130/SD2_D2	GPIO57/SPISTEA/EM1D27/EM2D11/EQEP2I/SCITXDC/SD2_C2	N18	GPIO57
GPIO129	T10	GPIO129/SD1_C1	GPIO58/MCLKRA/EM1D26/EM2D10/OUTPUTXBAR1/SPICLKB/SD2_D2/SPISOMIA	N17	GPIO58/SPIAMOSI
GPIO128	W9	GPIO128/SD1_D1	GPIO59/MFSRA/EM1D25/EM2D9/OUTPUTXBAR2/SPISTEB/SD2_C2/SPISOMIA	M16	GPIO59/SPIAMISO
GPIO127	V9	GPIO127/SD1_C1	GPIO60/MCLKRB/EM1D24/EM2D8/OUTPUTXBAR3/SPISIMOB/SD2_D3/SPICLKA	M17	GPIO60/SPICLKA
GPIO126	U9	GPIO126/SD1_D1	GPIO61/MFSRB/EM1D23/EM2D7/SPISOMIB/SD2_C3/SPISTEA	L16	GPIO61/SPIACS
GPIO125/SD1CLK2	T9	GPIO125/SPISTEC/SD1_C1	GPIO62/SCITXDC/EM1D22/EM2D6/EQEP3A/CANRXA/SD2_D1	J17	GPIO62
GPIO124/SD1D2	V8	GPIO124/SPICLK/SD1_D1	GPIO63/SCITXDC/EM1D21/EM2D5/EQEP3B/CANTXA/SD2_C4/SPISIMOB	J16	GPIO63/SPIMOSI
GPIO123/SD1CLK1	U8	GPIO123/SPISOMIC/SD1_C2	GPIO64/EM1D20/EM2D4/EQEP3S/SCITXDA/SPISOMIB	L17	GPIO64/SPIMISO
GPIO122/SD1D1	T8	GPIO122/SPISIMOC/SD1_D2	GPIO65/EM1D19/EM2D3/EQEP3I/SCITXDA/SPICLKB	K16	GPIO65/SPIBCLK
GPIO121	W6	GPIO121/EM2OE/USB0EPEM1	GPIO66/EM1D18/EM2D2/SDAB/SPISTEB	K17	GPIO66/SPIBCS
GPIO120	U5	GPIO120/EM2WE/USB0PEFLT1	GPIO67/EM1D17/EM2D1	B19	GPIO67
GPIO119	T5	GPIO119/EM2RNM1	GPIO68/EM1D16/EM2D1	C18	GPIO68
GPIO118	T12	GPIO118/EM2RNM1	GPIO69/EM1D15/SCLB/SPISIMOC	B18	GPIO69
GPIO117	U12	GPIO117/EM2SDCKE1	GPIO70/EM1D14/CANRXA/SCITXDB/SPISOMIC	A17	GPIO70
GPIO116	W10	GPIO116/EM2CS1	GPIO71/EM1D13/CANTXA/SCITXDB/SPICLKB	B17	GPIO71
GPIO115	V12	GPIO115/EM2CS1	GPIO72/EM1D12/CANTXB/SCITXDC/SPISTEC	B16	GPIO72
GPIO114	N3	GPIO114/EM2RAS1	GPIO73/EM1D11/XCLKOUT/CANRXB/SCITXDC	A16	GPIO73
GPIO113	M4	GPIO113/EM2CAS1	GPIO74/EM1D1	C17	GPIO74
GPIO112	M3	GPIO112/EM2BA2	GPIO75/EM1D1	D16	GPIO75
GPIO111	M4	GPIO111/EM2BA1	GPIO76/EM1D8/SCITXDD1	C16	GPIO76
GPIO110	M2	GPIO110/EM2WA1T1	GPIO77/EM1D7/SCITXDD1	A15	GPIO77
GPIO109	N2	GPIO109/EM2A1	GPIO78/EM1D6/EQEP2A	B15	GPIO78
GPIO108	L4	GPIO108/EM2A1	GPIO79/EM1D5/EQEP2B	C15	GPIO79
GPIO107	L3	GPIO107/EM2A9/EQEP3I/SCITXDC	GPIO80/EM1D4/EQEP2S	D15	GPIO80
GPIO106	L2	GPIO106/EM2A8/EQEP3S/SCITXDC	GPIO81/EM1D3/EQEP2I	A14	GPIO81
GPIO105/I2CSCLA	J3	GPIO105/SCLA/EM2A7/EQEP3B/SCITXDD1	GPIO82/EM1D1	B14	GPIO82
GPIO104/I2CSDBA	J2	GPIO104/SDAA/EM2A6/EQEP3A/SCITXDD1	GPIO83/EM1D2	C14	GPIO83
GPIO103	J1	GPIO103/EM2A5/EQEP2I/SPISTEC	GPIO84/SCITXDA/MAXB/MEXA1	A11	GPIO84
GPIO102	H3	GPIO102/EM2A4/EQEP2S/SPICLK1	GPIO85/EM1D0/SCITXDA/MRBB/MRBA1	B11	GPIO85
GPIO101	H2	GPIO101/EM2A3/EQEP2B/SPISOMIC	GPIO86/EM1A13/EM1CAS/SCITXDB/MCLKXB/MCLKXA1	C11	GPIO86
GPIO100	H1	GPIO100/EM2A2/EQEP2A/SPISIMOC	GPIO87/EM1A14/EM1RAS/SCITXDB/MFSXB/MFSXA1	D11	GPIO87
GPIO99	G1	GPIO99/EM2A1/EQEP1I	GPIO88/EM1A15/EM1DQM1	C6	GPIO88
GPIO98	F1	GPIO98/EM2A0/EQEP1S	GPIO89/EM1A16/EM1DQM1/SCITXDC	D6	GPIO89
GPIO97	A2	GPIO97/EM2DQM0/EQEP1B	GPIO90/EM1A17/EM1DQM2/SCITXDC	A5	GPIO90
GPIO96	C3	GPIO96/EM2DQM1/EQEP1A	GPIO91/EM1A18/EM1DQM3/SDAA1	B5	GPIO91
GPIO95	B3	GPIO95	GPIO92/EM1A19/EM1BA1/SCLA1	A4	GPIO92
			GPIO93/EM1BA0/SCITXDD1	B4	GPIO93
			GPIO94/SCITXDD1	A3	GPIO94

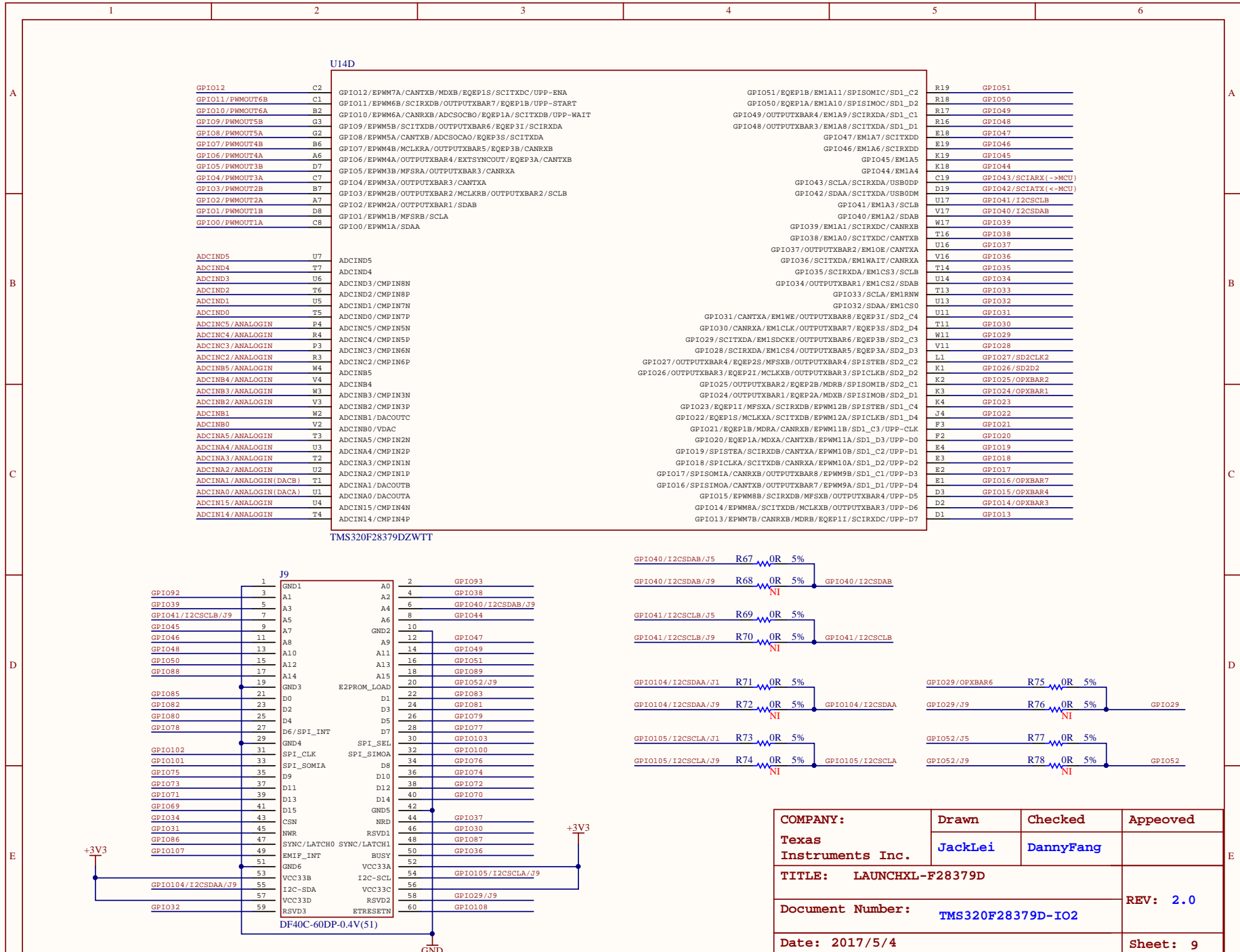
TMS320F28379DZWTT

U14E

GPIO136	T17	GPIO136/SCITXDA/SD2_D4	GPIO153/EPWM5A	A12	GPIO153
GPIO137	T18	GPIO137/SCITXDB/SD2_C4	GPIO154/EPWM5B	B12	GPIO154
GPIO138	T19	GPIO138/SCITXDB	GPIO155/EPWM5A	C12	GPIO155
GPIO139/SCICRX(-MCU)	N19	GPIO139/SCITXDC	GPIO156/EPWM6B	D12	GPIO156
GPIO140	M19	GPIO140/SCITXDC	GPIO157/EPWM7A	B10	GPIO157
GPIO141	M18	GPIO141/SCITXDD	GPIO158/EPWM7B	C10	GPIO158
GPIO142	L19	GPIO142/SCITXDD	GPIO159/EPWM8A	D10	GPIO159
GPIO143	F18	GPIO143	GPIO160/EPWM8B	B9	GPIO160
GPIO144	F17	GPIO144	GPIO161/EPWM9A	C9	GPIO161
GPIO145	E17	GPIO145/EPWM1A	GPIO162/EPWM9B	D9	GPIO162
GPIO146	D18	GPIO146/EPWM1B	GPIO163/EPWM10A	A8	GPIO163
GPIO147	D17	GPIO147/EPWM2A	GPIO164/EPWM10B	B8	GPIO164
GPIO148	D14	GPIO148/EPWM2B	GPIO165/EPWM11A	C5	GPIO165
GPIO149	A13	GPIO149/EPWM3A	GPIO166/EPWM11B	D5	GPIO166
GPIO150	B13	GPIO150/EPWM3B	GPIO167/EPWM12A	C4	GPIO167
GPIO151	C13	GPIO151/EPWM4A	GPIO168/EPWM12B	D4	GPIO168
GPIO152	D13	GPIO152/EPWM4B			

TMS320F28379DZWTT

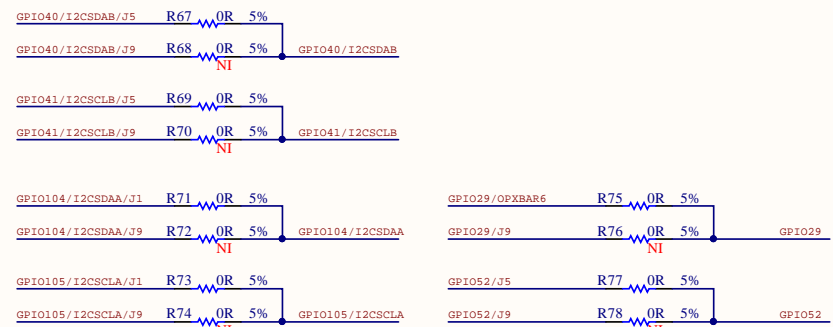
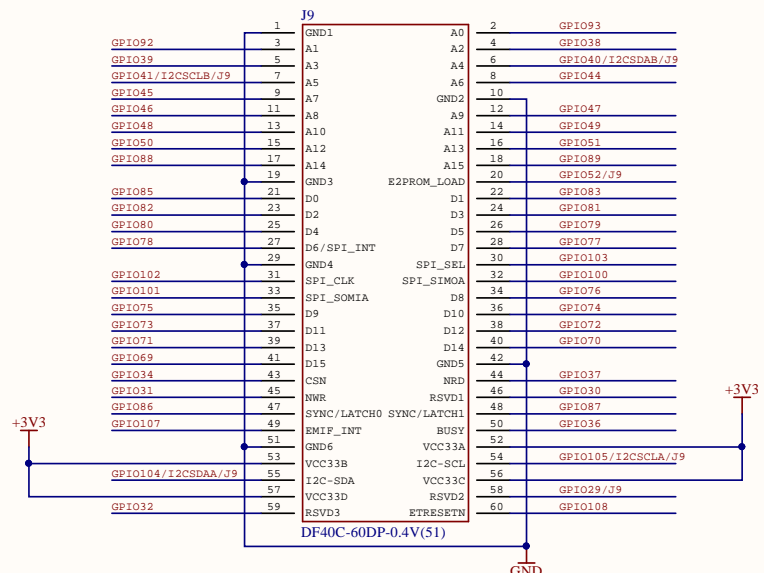
COMPANY: Texas Instruments Inc.	Drawn	Checked	Approved
	JackLei	DannyFang	
TITLE: LAUNCHXL-F28379D			REV: 2.0
Document Number: TMS320F28379D-IO1			
Date: 2017/5/4			Sheet: 8



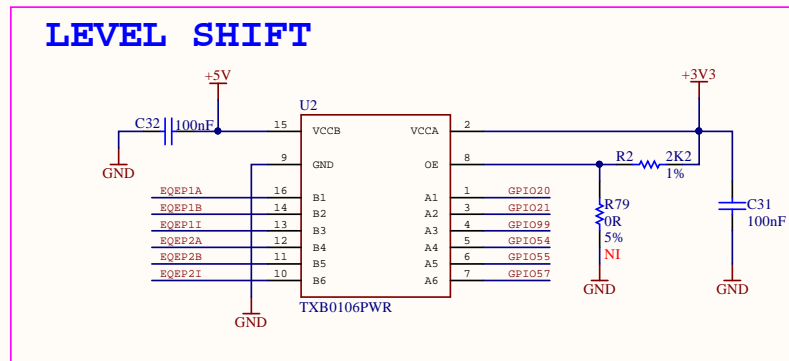
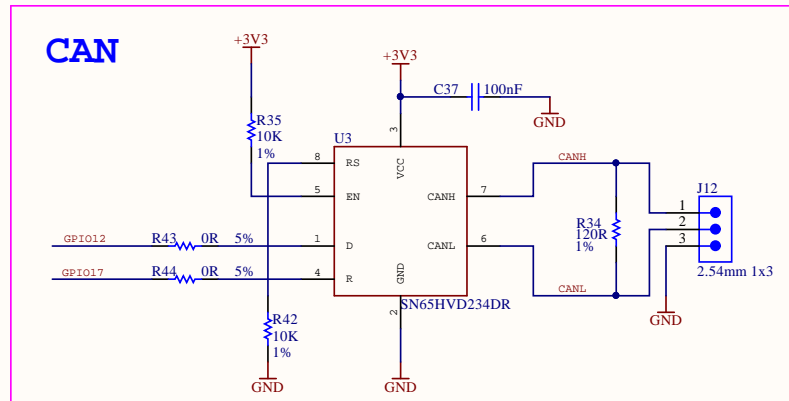
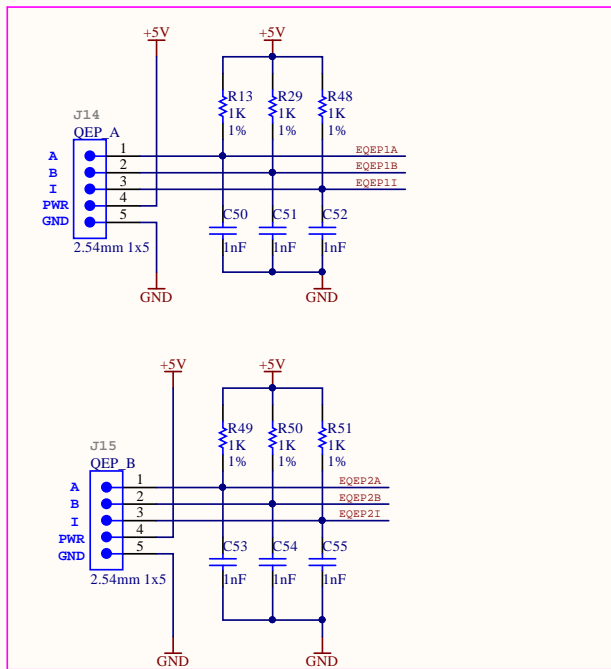
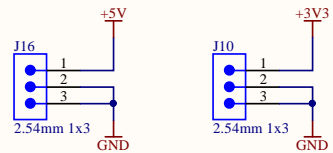
U14D

GPIO12	C2	GPIO12/EPWM7A/CANTXB/MDXB/EQEP1S/SCITXDC/UPP-ENA	GPIO51/EQEP1B/EM1A11/SPISOMIC/SD1_C2	R19	GPIO51
GPIO11/PWMOUT6B	C1	GPIO11/EPWM6B/SCIRXDB/OUTPUTXBAR7/EQEP1B/UPP-START	GPIO50/EQEP1A/EM1A10/SPISIMOC/SD1_D2	R18	GPIO50
GPIO10/PWMOUT5A	B2	GPIO10/EPWM6A/CANRXB/ADCSCOB/EQEP1A/SCITXDB/UPP-WAIT	GPIO49/OUTPUTXBAR4/EM1A9/SCIRXDA/SD1_C1	R17	GPIO49
GPIO9/PWMOUT5B	G3	GPIO9/EPWM5B/SCITXDB/OUTPUTXBAR6/EQEP3I/SCIRXDA	GPIO48/OUTPUTXBAR3/EM1A8/SCITXDA/SD1_D1	R16	GPIO48
GPIO8/PWMOUT5A	G2	GPIO8/EPWM5A/CANTXB/ADCSCOB/EQEP3S/SCITXDA	GPIO47/EM1A7/SCITXDD	E18	GPIO47
GPIO7/PWMOUT4B	B6	GPIO7/EPWM4B/MCLKRA/OUTPUTXBAR5/EQEP3B/CANRXB	GPIO46/EM1A6/SCIRXDD	E19	GPIO46
GPIO6/PWMOUT4A	A6	GPIO6/EPWM4A/OUTPUTXBAR4/EXTSYNCOUT/EQEP3A/CANTXB	GPIO45/EM1A5	K19	GPIO45
GPIO5/PWMOUT3B	D7	GPIO5/EPWM3B/MFSRA/OUTPUTXBAR3/CANRXA	GPIO44/EM1A4	K18	GPIO44
GPIO4/PWMOUT3A	C7	GPIO4/EPWM3A/OUTPUTXBAR3/CANTXA	GPIO43/SCLA/SCIRXDA/USBODP	C19	GPIO43/SCIARX(->MCU)
GPIO3/PWMOUT2B	B7	GPIO3/EPWM2B/OUTPUTXBAR2/MCLKRB/OUTPUTXBAR2/SCLB	GPIO42/SDAA/SCITXDA/USBODM	D19	GPIO42/SCIATX(->MCU)
GPIO2/PWMOUT2A	A7	GPIO2/EPWM2A/OUTPUTXBAR1/SDAB	GPIO41/EM1A3/SCLB	U17	GPIO41/I2CSCLB
GPIO1/PWMOUT1B	D8	GPIO1/EPWM1B/MFSRB/SCLA	GPIO40/EM1A2/SDAB	V17	GPIO40/I2CSDAB
GPIO0/PWMOUT1A	C8	GPIO0/EPWM1A/SDAA	GPIO39/EM1A1/SCIRXDC/CANRXB	W17	GPIO39
			GPIO38/EM1A0/SCITXDC/CANTXB	T16	GPIO38
			GPIO37/OUTPUTXBAR2/EM10B/CANTXA	U16	GPIO37
			GPIO36/SCITXDA/EM1WAIT/CANRXA	V16	GPIO36
			GPIO35/SCIRXDA/EM1CS3/SCLB	T14	GPIO35
			GPIO34/OUTPUTXBAR1/EM1CS2/SDAB	U14	GPIO34
			GPIO33/SCLA/EM1RNV	T13	GPIO33
			GPIO32/SDAA/EM1CS0	U13	GPIO32
			GPIO31/CANTXA/EM1WE/OUTPUTXBAR8/EQEP3I/SD2_C4	U11	GPIO31
			GPIO30/CANRXA/EM1CLK/OUTPUTXBAR7/EQEP3S/SD2_D4	T11	GPIO30
			GPIO29/SCITXDA/EM1SDCKE/OUTPUTXBAR6/EQEP3B/SD2_C3	W11	GPIO29
			GPIO28/SCIRXDA/EM1CS4/OUTPUTXBAR5/EQEP3A/SD2_D3	V11	GPIO28
			GPIO27/OUTPUTXBAR4/EQEP2S/MFSXB/OUTPUTXBAR4/SPICLB/SD2_C2	L1	GPIO27/SD2CLK2
			GPIO26/OUTPUTXBAR3/EQEP2I/MCLKXB/OUTPUTXBAR3/SPICLB/SD2_D2	K1	GPIO26/SD2D2
			GPIO25/OUTPUTXBAR2/EQEP2B/MDB/SPISIMOB/SD2_C1	K2	GPIO25/OPXBAR2
			GPIO24/OUTPUTXBAR1/EQEP2A/MDB/SPISIMOB/SD2_D1	K3	GPIO24/OPXBAR1
			GPIO23/EQEP1I/MFSXA/SCIRXDB/EPWM12B/SPICLB/SD1_C4	K4	GPIO23
			GPIO22/EQEP1S/MCLKXA/SCITXDB/EPWM12A/SPICLB/SD1_D4	J4	GPIO22
			GPIO21/EQEP1B/MDB/CANRXB/EPWM11B/SD1_C3/UPP-CLK	F3	GPIO21
			GPIO20/EQEP1A/MDXA/CANTXB/EPWM11A/SD1_D3/UPP-D0	F2	GPIO20
			GPIO19/SPICLB/SCIRXDB/CANTXA/EPWM10B/SD1_C2/UPP-D1	E4	GPIO19
			GPIO18/SPICLB/SCITXDB/CANRXA/EPWM10A/SD1_D2/UPP-D2	E3	GPIO18
			GPIO17/SPISOMIA/CANRXB/OUTPUTXBAR8/EPWM9B/SD1_C1/UPP-D3	E2	GPIO17
			GPIO16/SPISOMIA/CANTXB/OUTPUTXBAR7/EPWM9A/SD1_D1/UPP-D4	E1	GPIO16/OPXBAR7
			GPIO15/EPWM8B/SCIRXDB/MFSXB/OUTPUTXBAR4/UPP-D5	D3	GPIO15/OPXBAR4
			GPIO14/EPWM8A/SCITXDB/MCLKXB/OUTPUTXBAR3/UPP-D6	D2	GPIO14/OPXBAR3
			GPIO13/EPWM7B/CANRXB/MDB/EQEP1I/SCIRXDC/UPP-D7	D1	GPIO13

TMS320F28379DZWT7



COMPANY:	Drawn	Checked	Approved
	Texas Instruments Inc.	JackLei	DannyFang
TITLE:	LAUNCHXL-F28379D		
Document Number:	TMS320F28379D-IO2	REV: 2.0	
Date:	2017/5/4	Sheet: 9	



COMPANY: Texas Instruments Inc.	Drawn	Checked	Approved
	JackLei	DannyFang	
TITLE: LAUNCHXL-F28379D			REV: 2.0
Document Number: EX-Headers			
Date: 2017/5/4			Sheet: 10