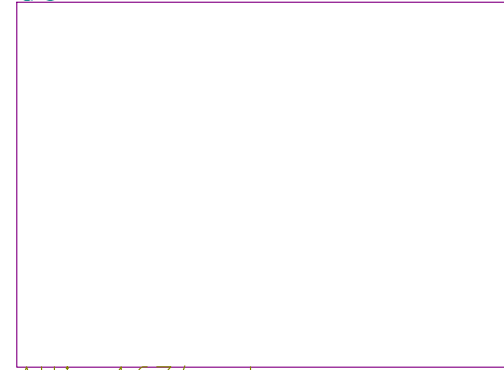


TMR

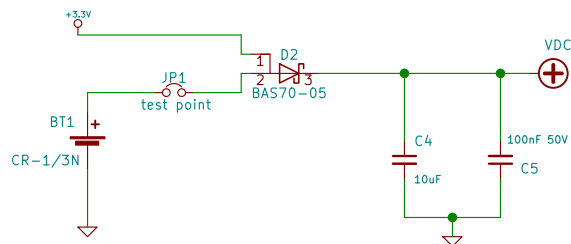
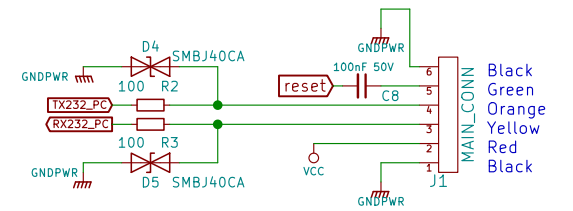
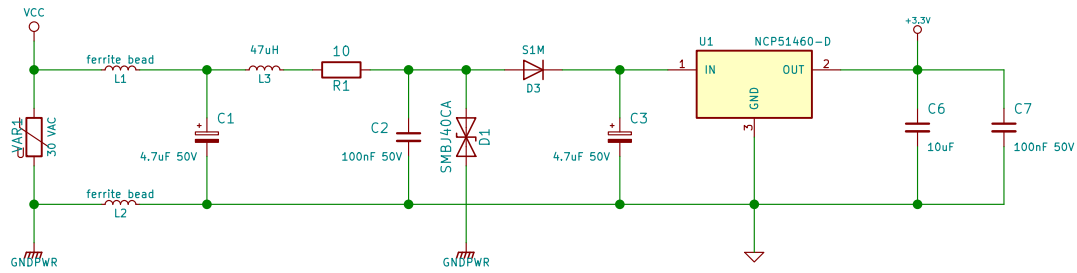


AAT00X.sch

uC



Attiny1634.sch



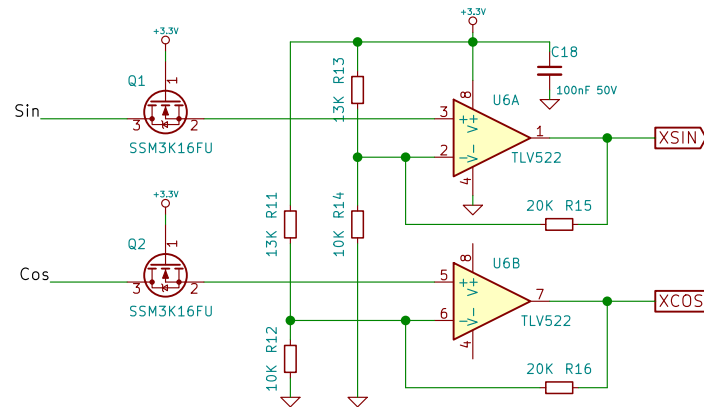
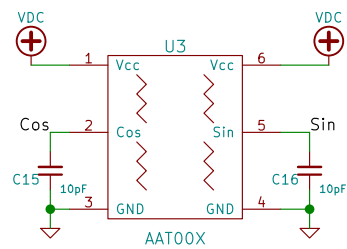
TPI

Sheet: /
File: AbsMagEnc.sch

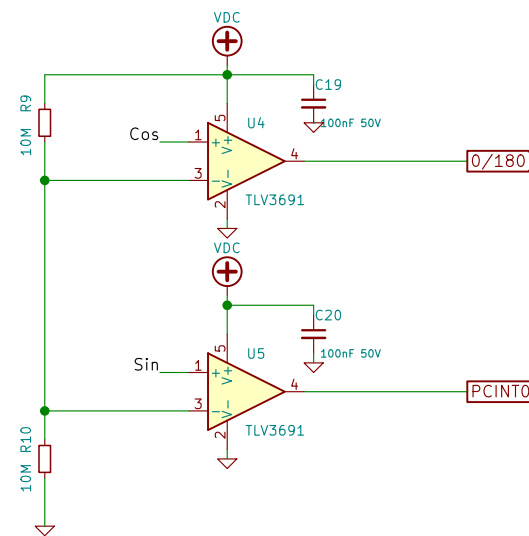
Title: Absolute Magnetic Encoder

Size: A4 Date: 2017-11-01
KiCad E.D.A. kicad 4.0.7-e2-637658ubuntu16.04.1

Rev: REV1
Id: 1/3



Amplifier (x4.5)



TPI

Sheet: /TMR/
File: AAT00X.sch

Title: Absolute Magnetic Encoder

Size: A4 Date: 2017-11-01
KiCad E.D.A. kicad 4.0.7-e2-637658ubuntu16.04.1

Rev: REV1
Id: 3/3