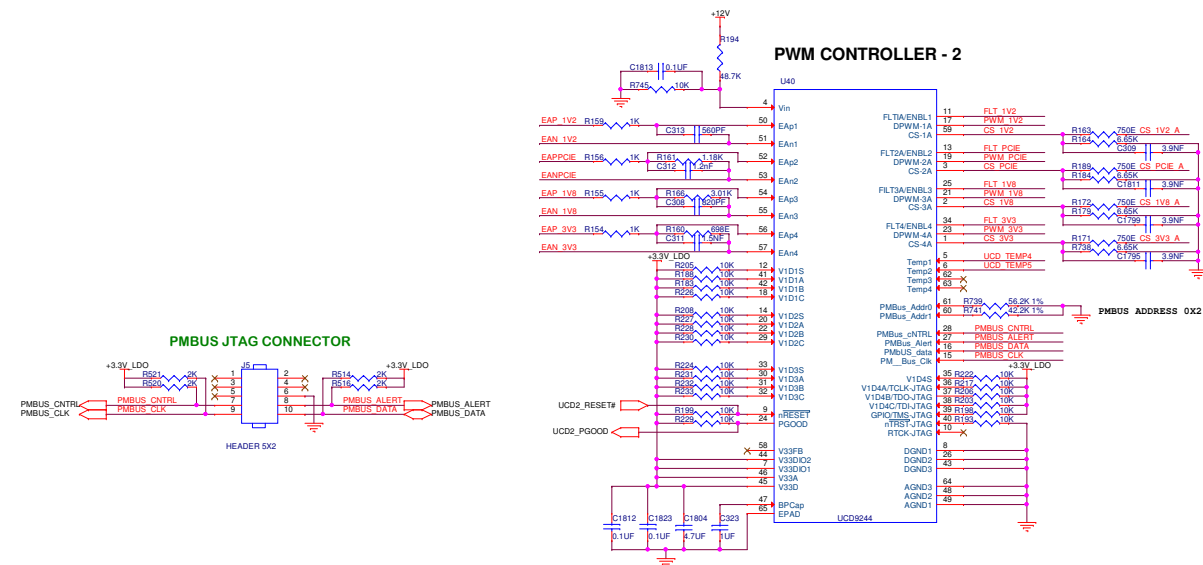
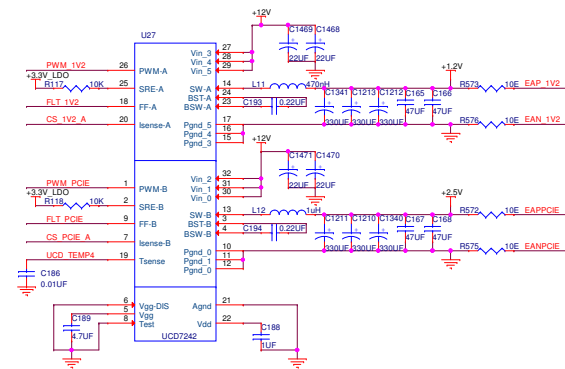


PWM CONTROLLER - 2



POWER DRIVER - 1.2V (10A) & 2.5V(10A)



POWER DRIVER - 1.8V (10A) & 3.3V (10A)

