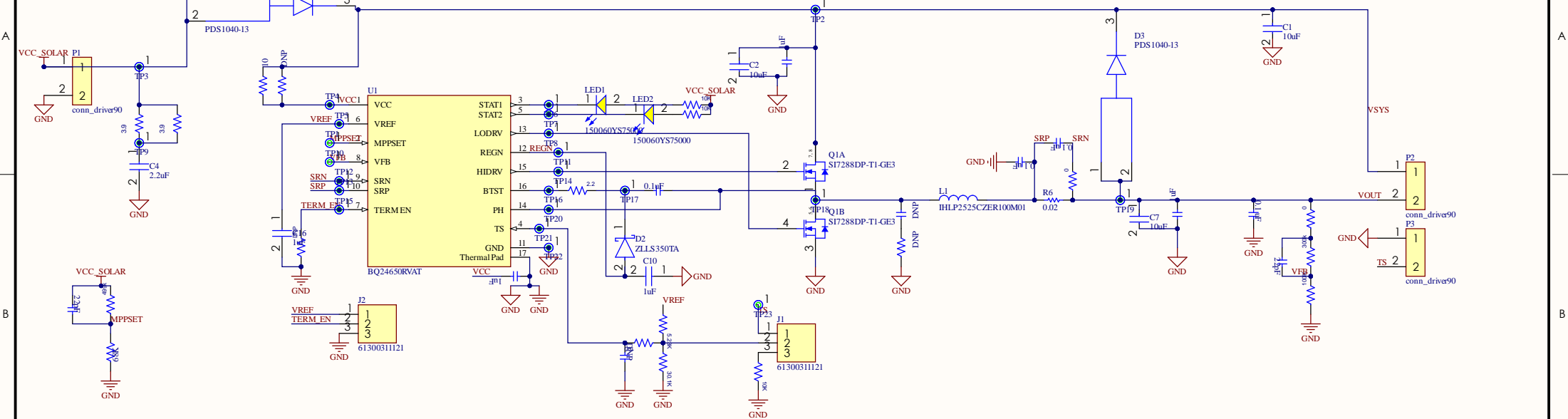


This project is protected by the law on copyright which prohibits third parties from reproducing and even partially using it without the consent of Luna Geber Engineering S.r.l.

Opzioni pannello solare:  
 2x SM141K09L->DIM: 63x46 costo 12€ (100 p2)  
 (CAPIRESE CIENTRA)  
 2x SM940K09L->DIM: 46x47 COSTO 8€ (meno corrente)

# CIRCUITO DI RICARICA PANNELLO SOLARE



Cannot open file

G:\shortcuts\targets-by-id1-xyX  
w3G\_9dhiej1 WOWLPSC2je3rxr  
ZrK\Luna Geber  
Engineering\AmministrazionePr  
omozione\immagini e foto  
utili\logo\_LGE\_irasparente\_tutto.  
png. File does not exist.

WWW.LUNAGEBER.COM	REFERENCE DOCUMENTS	PROJECT CODE: --	PAGENAME:
	PCB DWG: --	ENG: --	01-SOLAR_CHARGE.PcbDoc
WWW.LUNAGEBER.COM	ASSY DWG: --	DSN: --	REV. CHANGES: See Revision Page
	FAB DWG: --	CUSTOMER: --	PROJECT: SOLAR_CHARGE.Pcb
	DATE: 19/11/2024	CHK: Not Approved	REV: 1.0
			SHEET: 2 OF 2