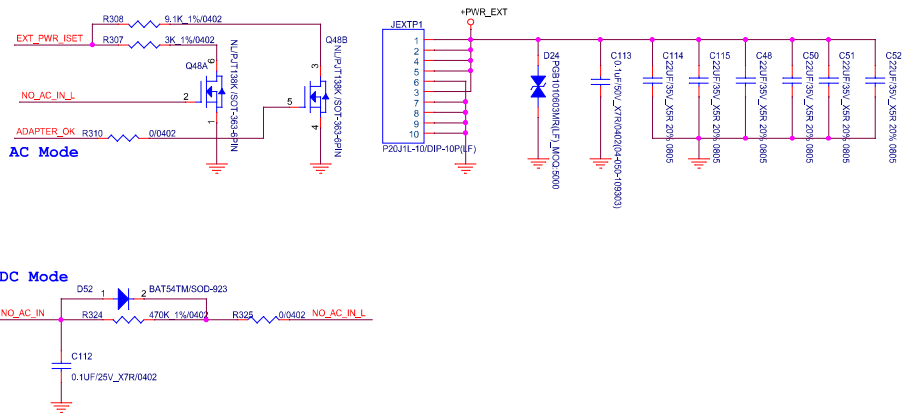


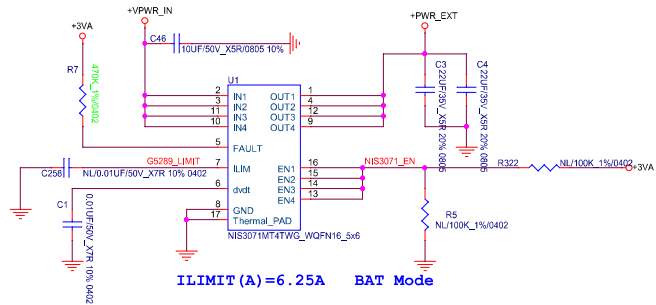
ILIMIT (A)=6A BAT Mode  
 ILIMIT (A)=2A AC Mode



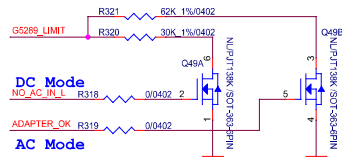
DC Mode

DC Mode

AC Mode



ILIMIT (A)=6.25A BAT Mode



DC Mode

AC Mode