

BATTERY & CAN

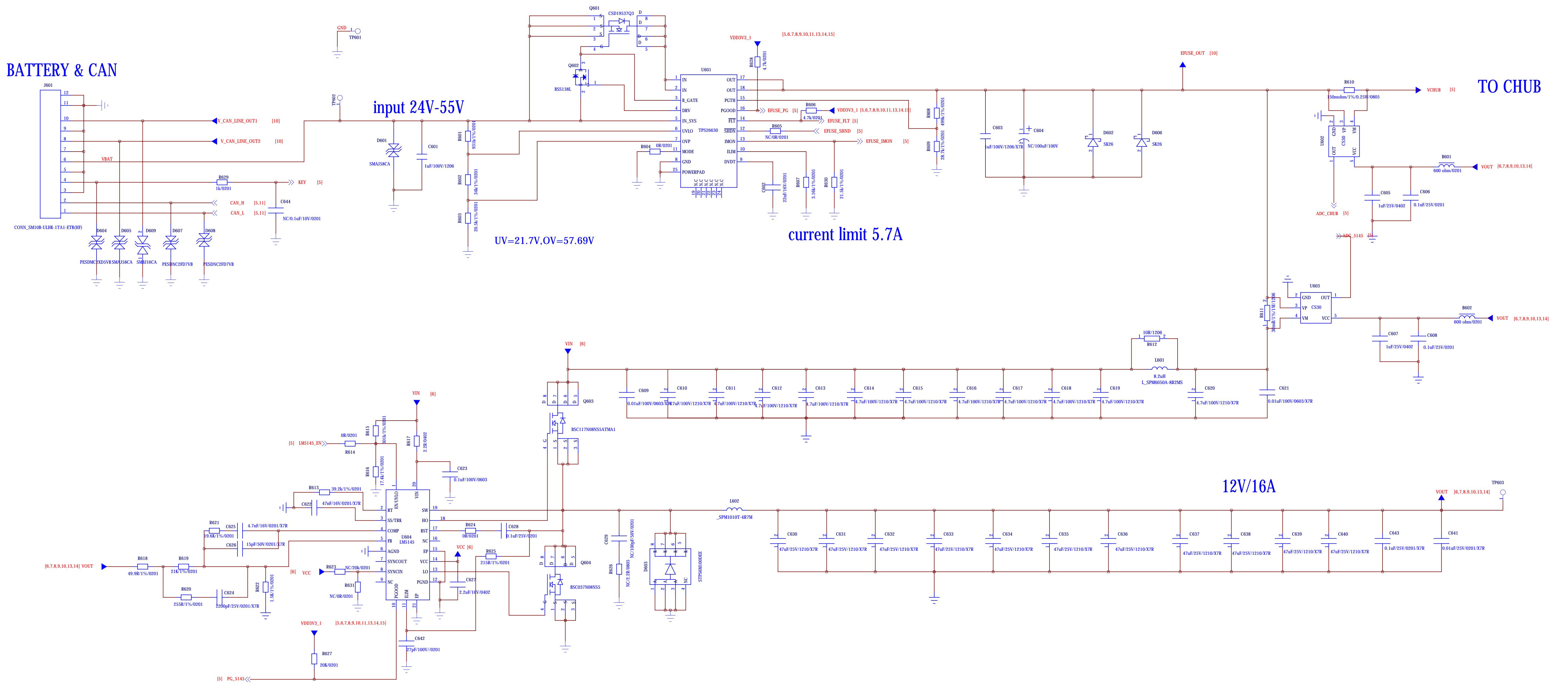
input 24V-55V

UV=21.7V,OV=57.69V

current limit 5.7A

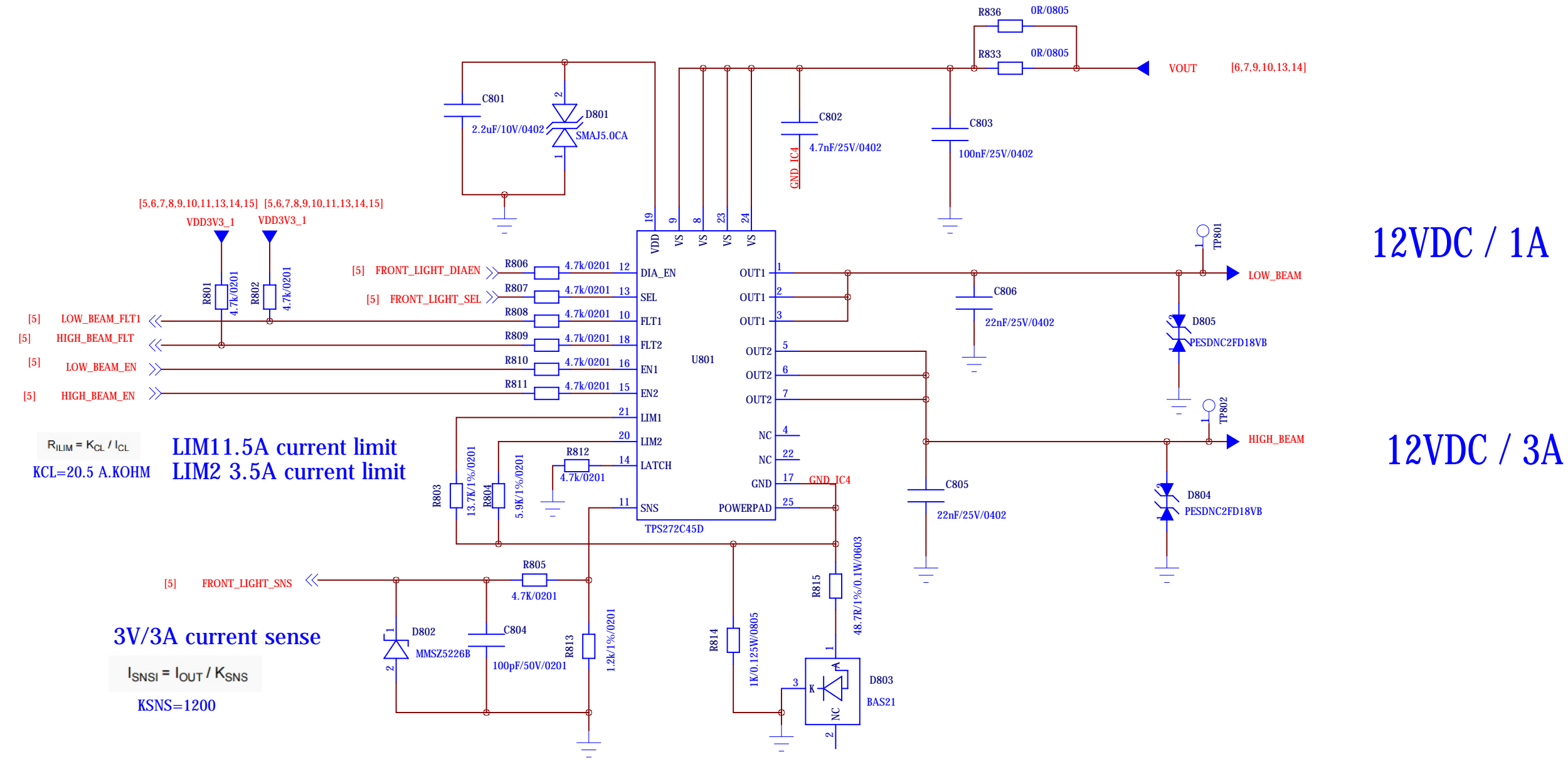
12V/16A

TO CHUB



FILE CODE	
FILE NAME	

LOW BEAM/HIGH BEAM



COMPANY:		PROJECT: E_BIKE	Modified Date: 2023-2-23	
DRAWN	<Drawn>	DATED	<Drawn Data>	
CHECKED	<Checked By>	DATED	<Checked Data>	
TITLE: 08_FL_DROPHER_HG		VERSION: BO	SHEET: 8 OF 15	