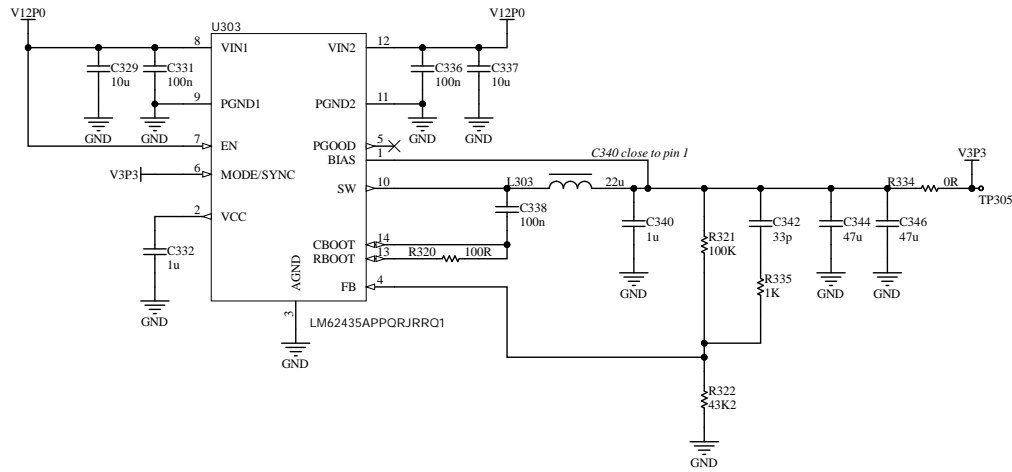
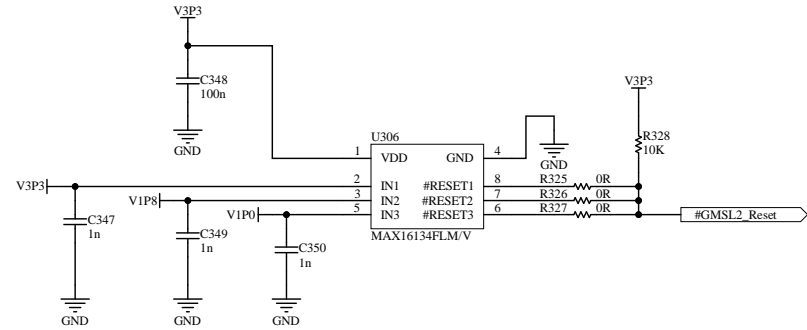


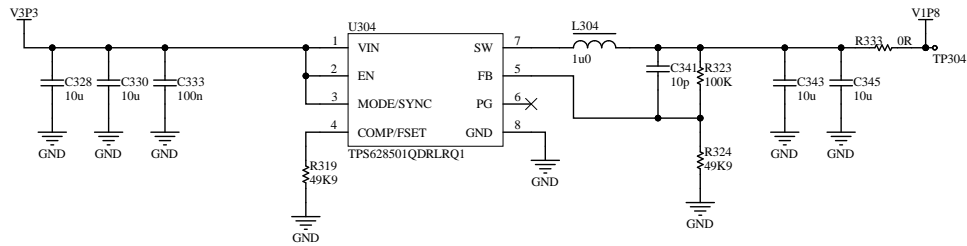
V12P0 to V3P3 converter



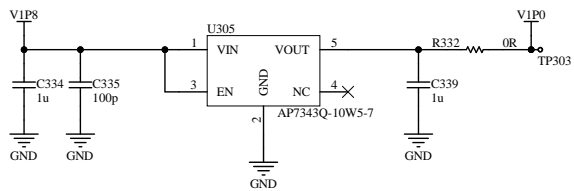
Voltage Monitoring




V3P3 to V1P8 converter



V1P8 to V1P0 converter



STRICTLY CONFIDENTIAL - AC TECHNOLOGIES

Title	03.2-Power2.SchDoc	Allcircuits Technologies 7 Rue du Bon Puits Saint Sylvain d'Anjou 49480 Verrières en Anjou	
Project Name:	SVM	Author: B.CHERDLE	
Variant:	[No Variations]	Sheet 5 of 9	Size: A3
Date:	15/02/2021	Time: 15:13:17	Revision: 010 A_D