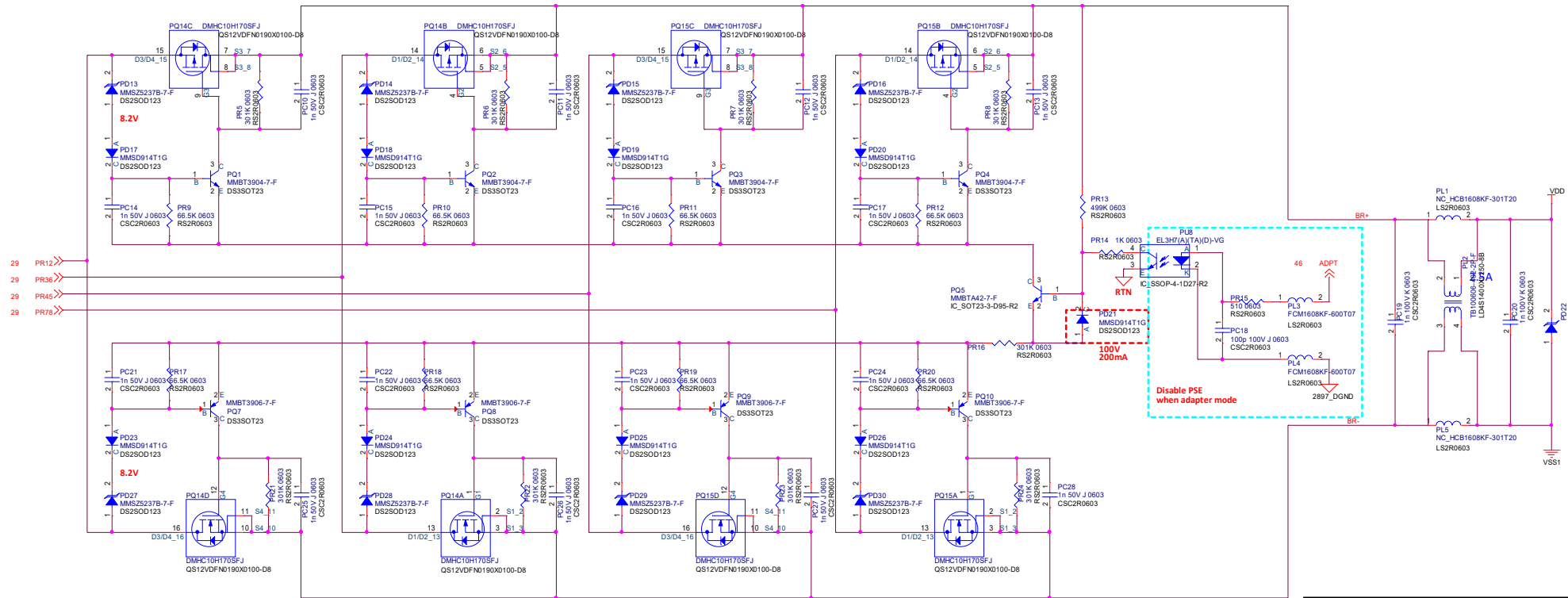
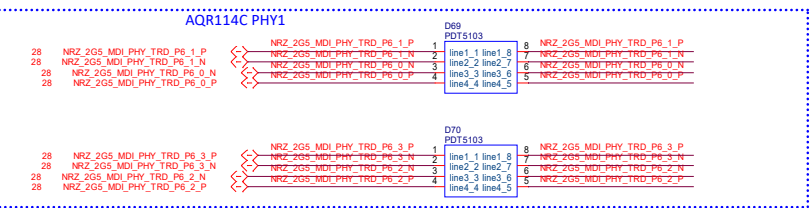


PD Input port



Disable PSE when adapter mode

DELTA NETWORKS, INC.

Confidentiality Statement: The pages herein, together and individually are the sole property and product of Delta Networks, Inc. and may not be distributed, reproduced, copied, shared, or incorporated into other work in any form without explicit written permission.

File	29.PoE_PD_BT_RJ	Rev	0.0
Size	Document Number		
C			
Date:	Tuesday, February 26, 2019	Sheet	28 of 34

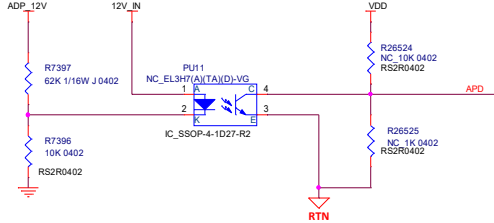
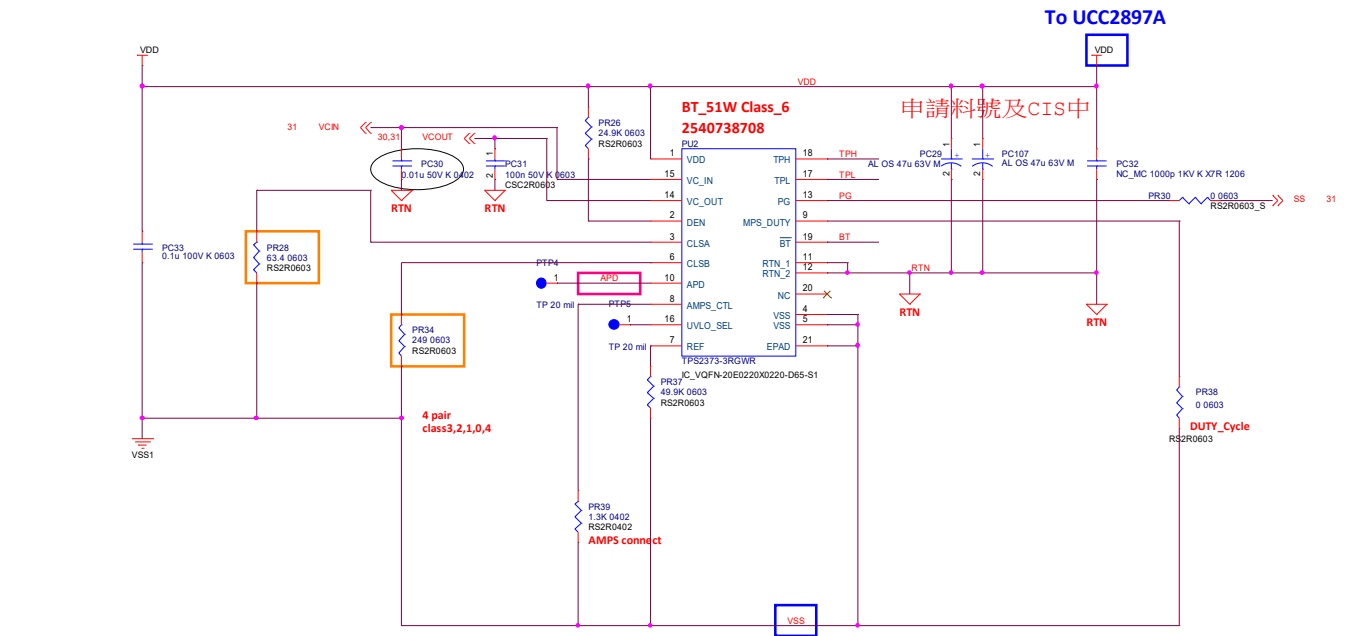
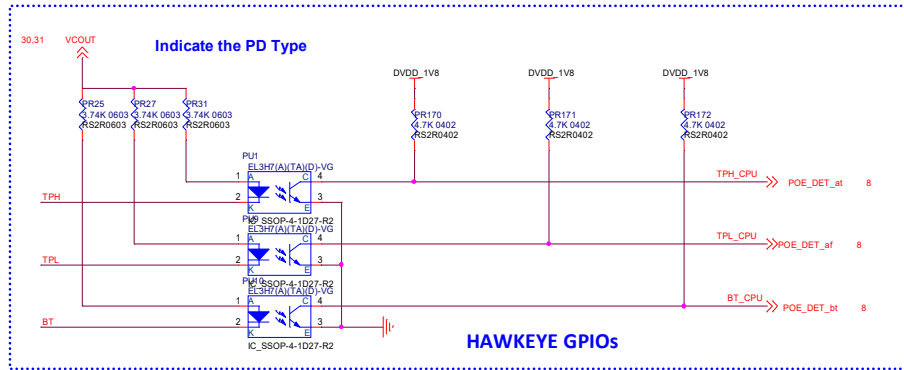


Table 1. Class Resistor Selection

PD Class	CLASS SIGNATURE A	CLASS SIGNATURE B	MINIMUM POWER AT PD (W)	MAXIMUM POWER AT PD (W)	NUMBER OF CLASS CYCLES @ MAX POWER	RESISTOR CLSA (Ω)	RESISTOR CLSB (Ω)
0	0	0	0.44	12.95	1	1210	1210
1	1	1	0.44	3.84	1	249	249
2	2	2	3.84	6.49	1	140	140
3	3	3	6.49	12.95	1	90.9	90.9
4	4	4	12.95	25.5	2,3	63.4	63.4
5	4	0	25.5	40	4	63.4	1210
6	4	1	40	51	4	63.4	249
7	4	2	51	62	5	63.4	140
8	4	3	62	71	5	63.4	90.9



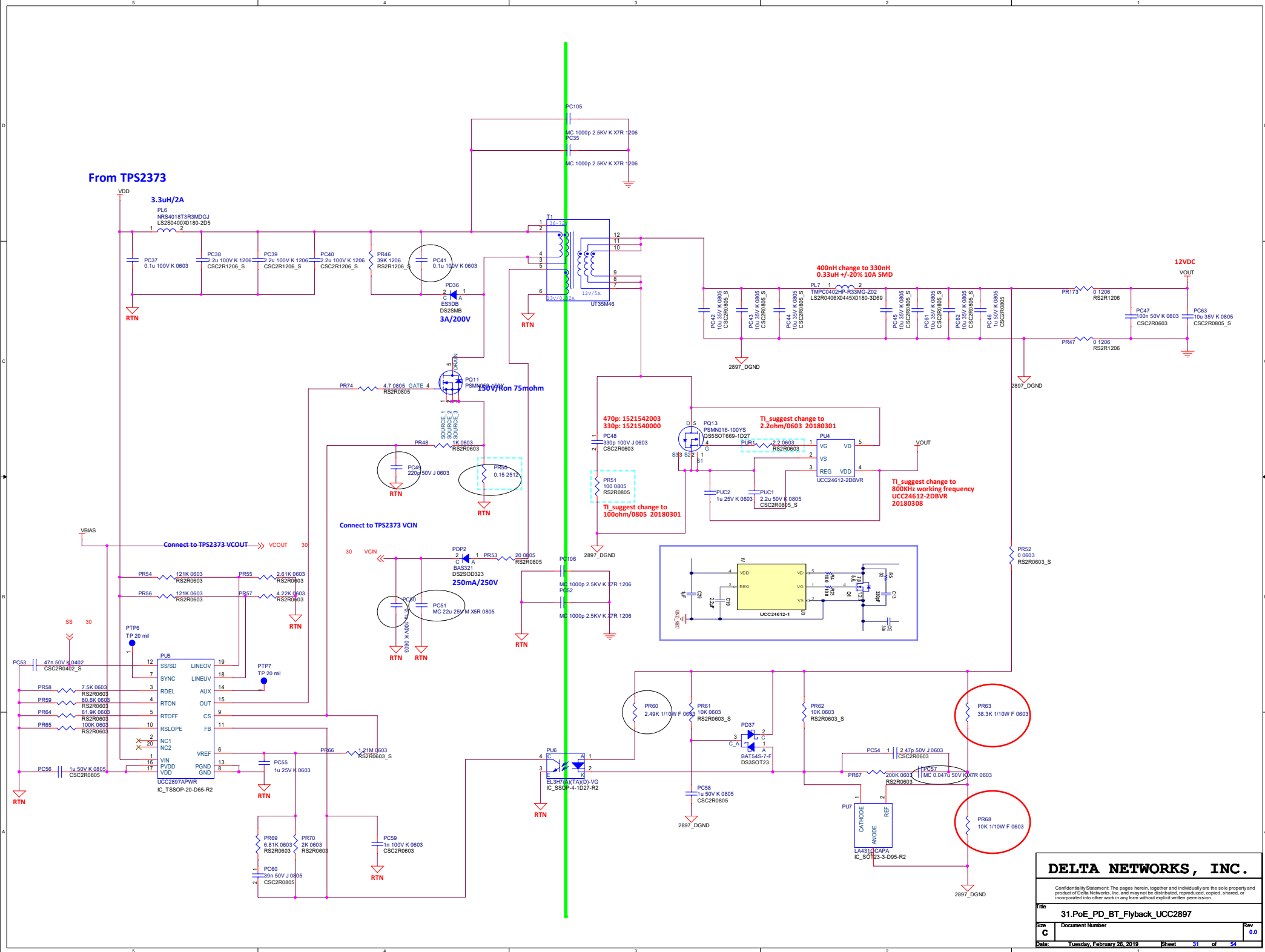
DELTA NETWORKS, INC.

Confidentiality Statement: The pages herein, together and individually are the sole property and product of Delta Networks, Inc. and may not be distributed, reproduced, copied, shared, or incorporated into other work in any form without explicit written permission.

File: 30.PoE_PD_BT_TPS2373

Size: C Document Number

Date: Tuesday, February 26, 2019 Sheet 30 of 54 Rev 0.0



From TPS2373

3.3uH/2A

PL6
NRS4018T3R3MDGJ
LS28040XD180-ZD5

3A/200V

150V Ron 75mohm

Connect to TPS2373 VGIN

250mA/250V

470p: 1521542003
330p: 1521540000

TI suggest change to
2.2ohm/0603 20180301

TI suggest change to
100ohm/0805 20180301

400nH change to 330nH
0.33uH +/- 20% 10A SMD

TI suggest change to
800kHz working frequency
UCC24612-2BVR
20180308

DELTA NETWORKS, INC.

Confidentiality Statement: The pages herein, together and individually are the sole property and product of Delta Networks, Inc. and may not be distributed, reproduced, copied, shared, or incorporated into other work in any form without explicit written permission.

File	31.PoE_PD_BT_Flyback_UCC2897		
Size	Document Number		
C			Rev 0.0
Date:	Tuesday, February 26, 2019	Sheet 31 of 54	