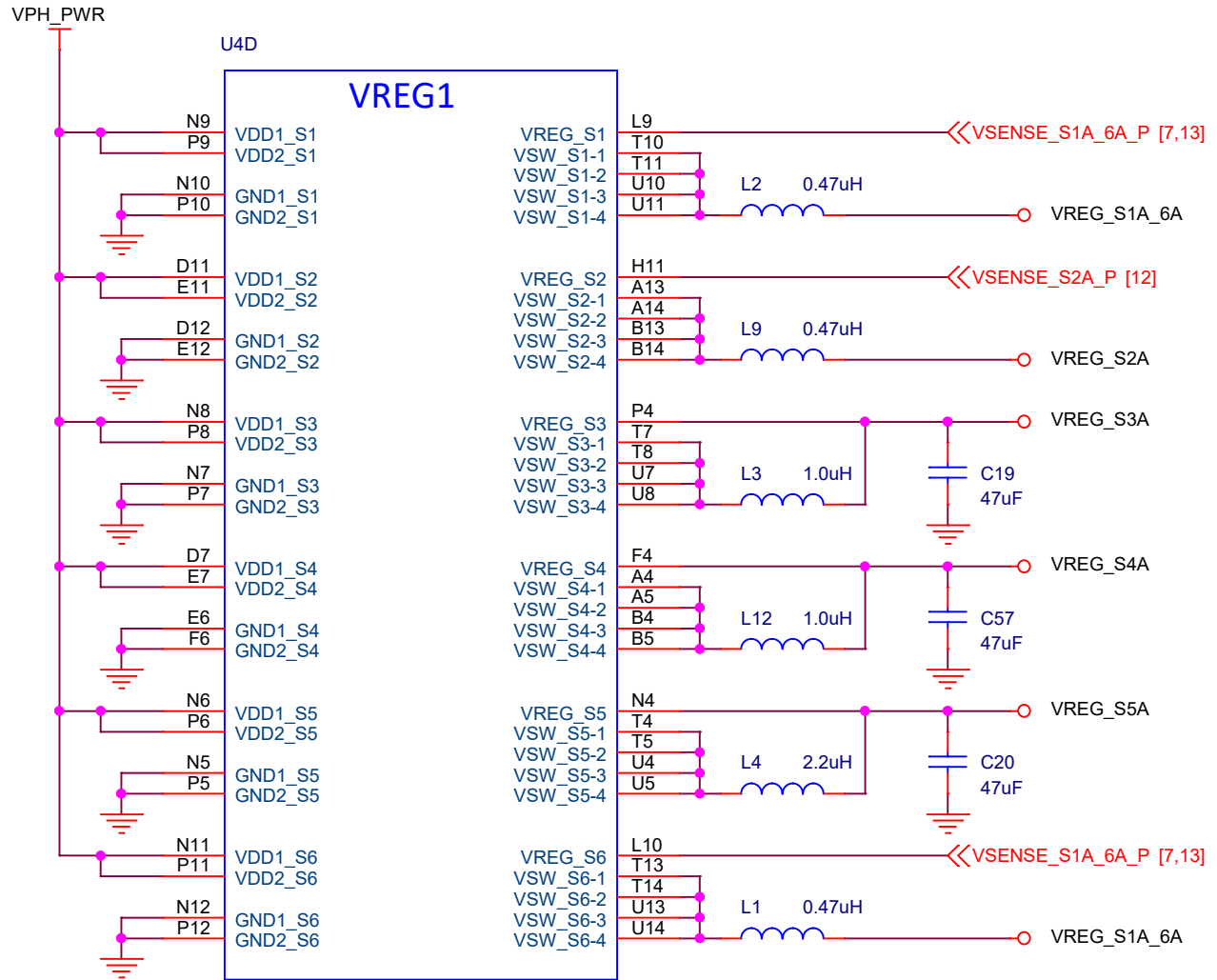
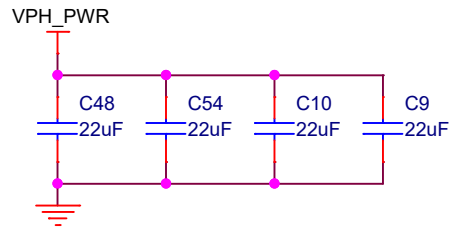


Title		
<Title>		
Size	Document Number	Rev
A	<Doc>	<Rev Co
Date:	Tuesday, September 15, 2020	Sheet 1 of 1



Title		
<Title>		
Size	Document Number	Rev
A	<Doc>	<Rev Co
Date:	Tuesday, September 15, 2020	Sheet 1 of 1