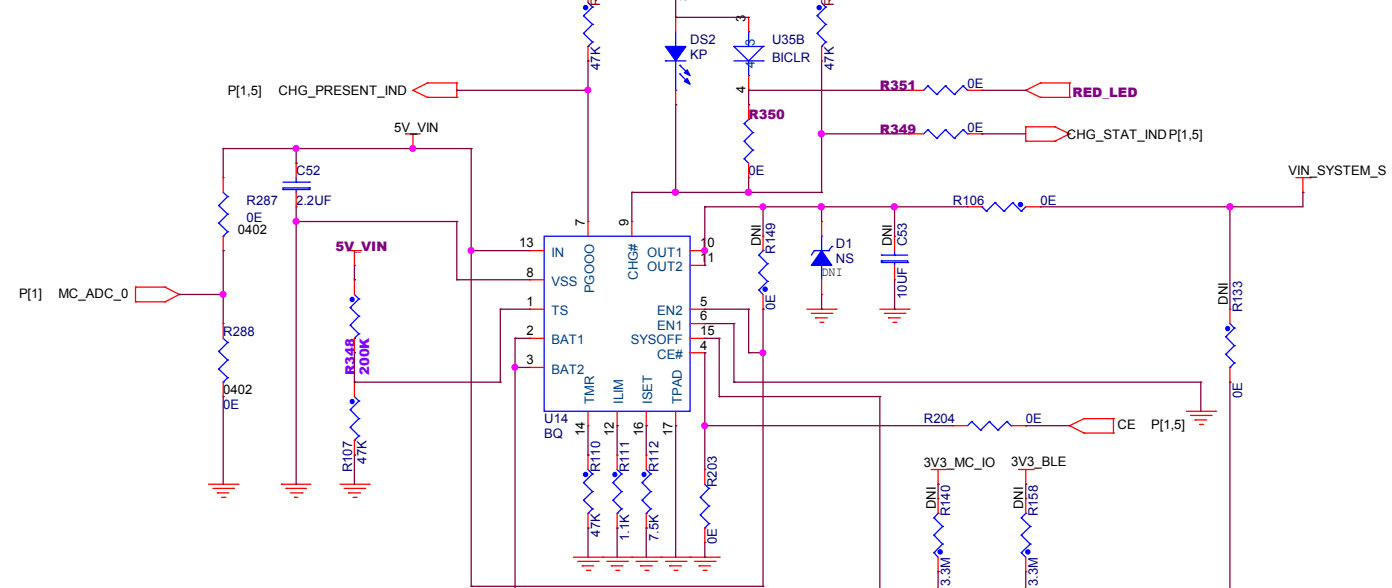
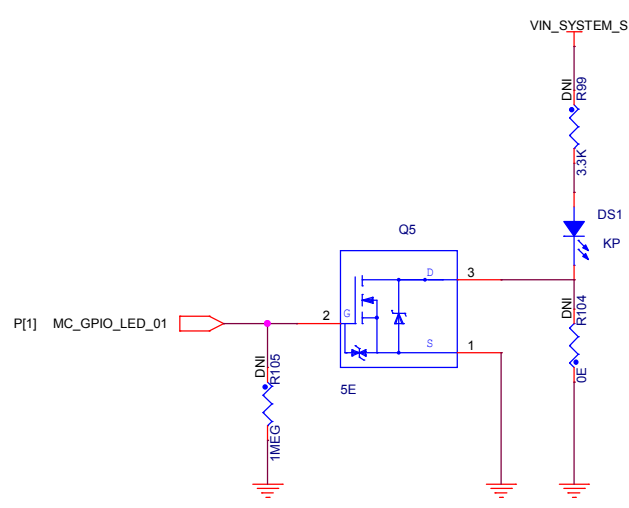
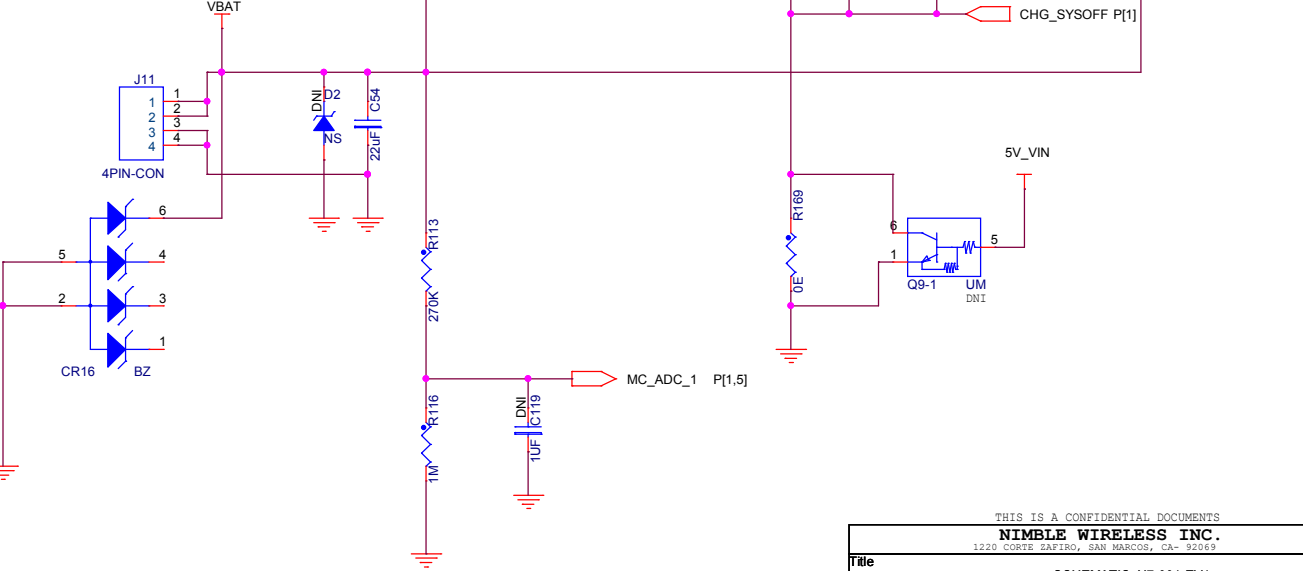
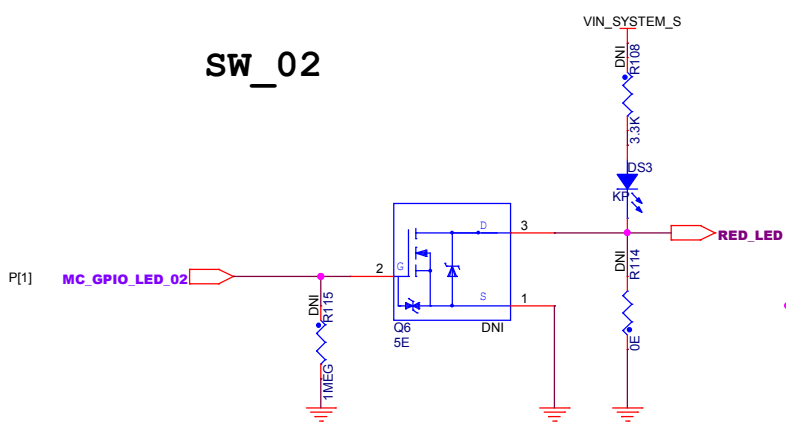


# SW\_01

# CG CKT



# SW\_02



THIS IS A CONFIDENTIAL DOCUMENTS  
NIMBLE WIRELESS INC.  
1220 CORTE ZAFIRO, SAN MARCOS, CA- 92069

Title			SCHEMATIC, N7-901-EV1		
Size	Document Number	N7-901-EV1			Rev
B					B
Date:	Friday, September 03, 2021	Sheet	9	of	14