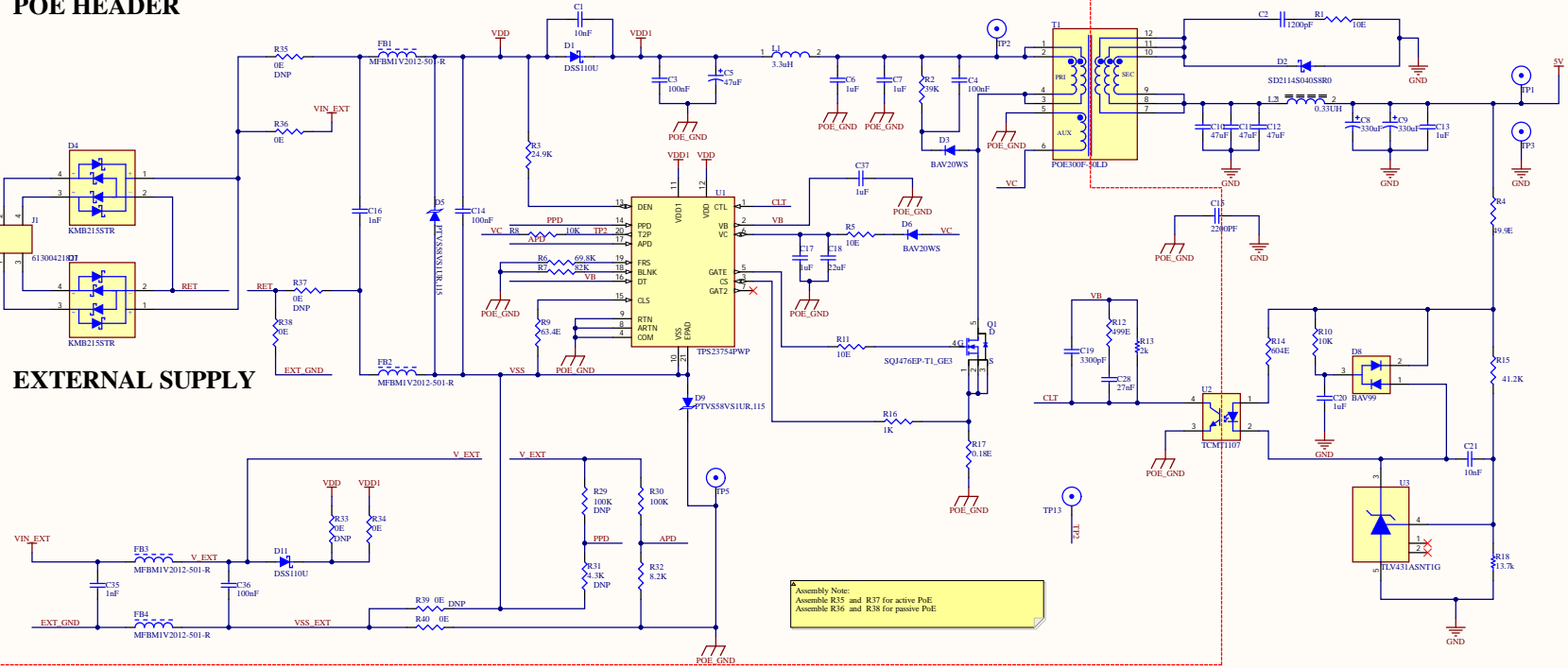


POE HEADER

ISOLATED FLYBACK 5V



Comment	Description	Designator	Footprint	LibRef	Quantity
---------	-------------	------------	-----------	--------	----------